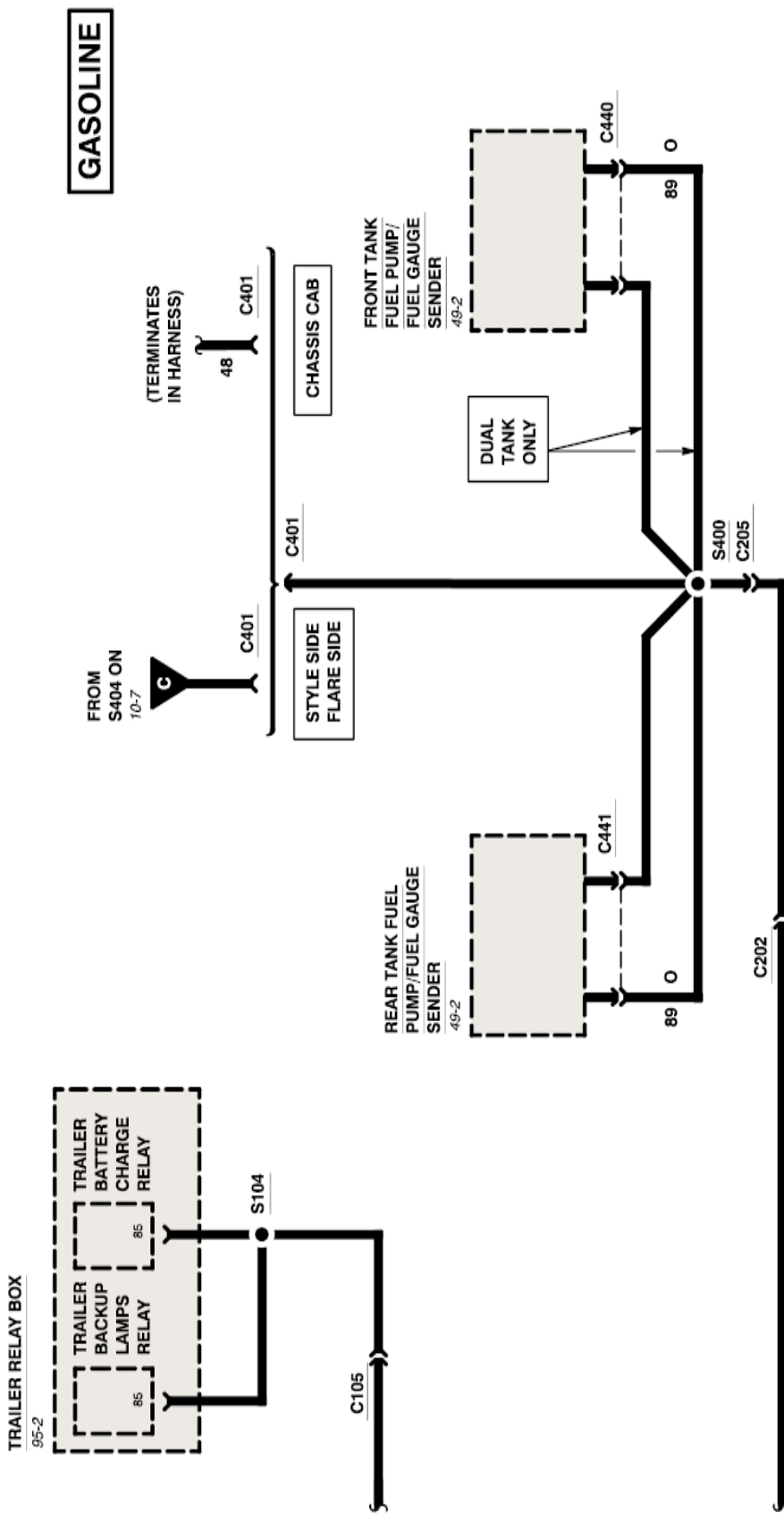




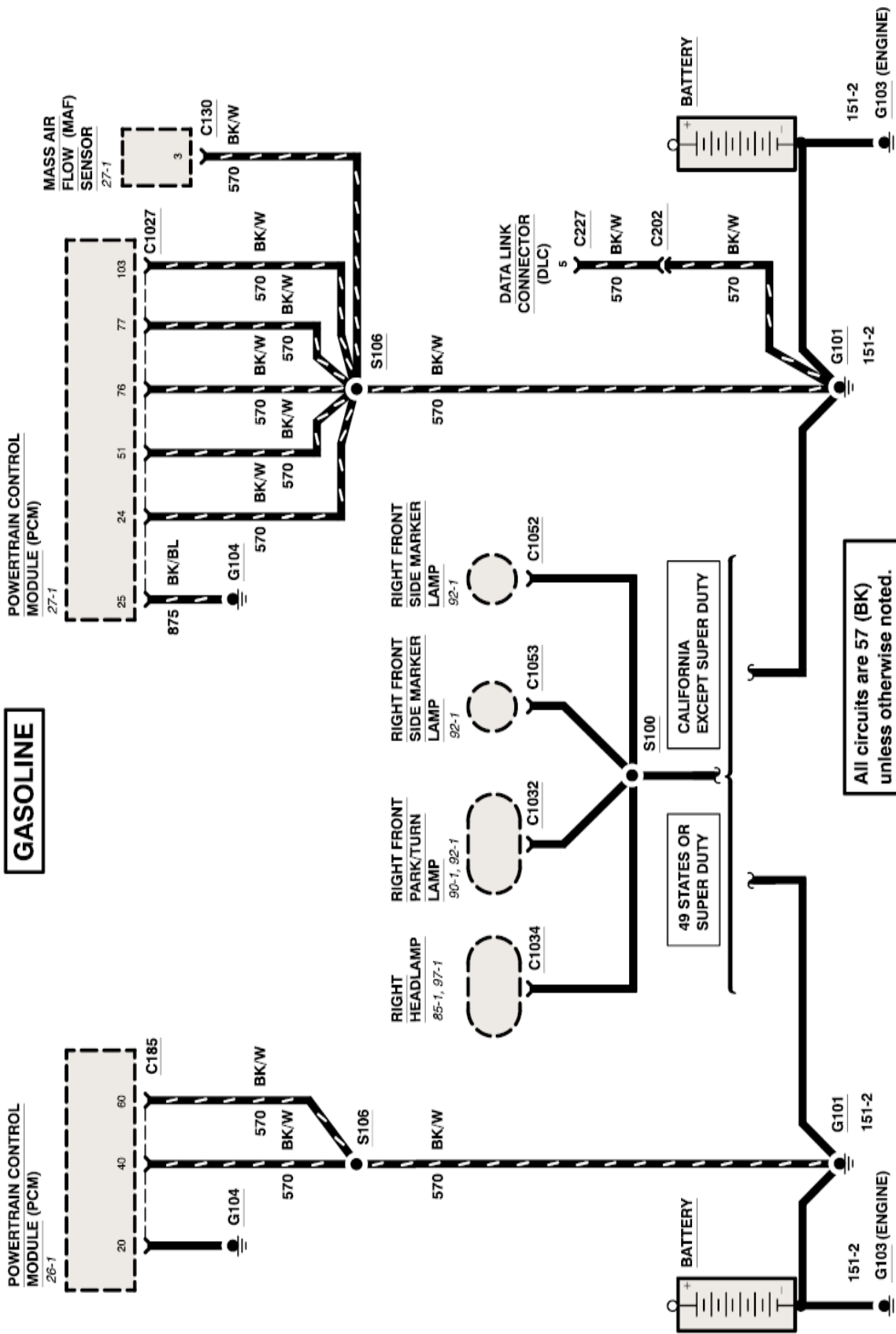
# GROUNDS 10-2

1997 F-250 HD/350/SUPER DUTY



# 10-3 GROUNDS

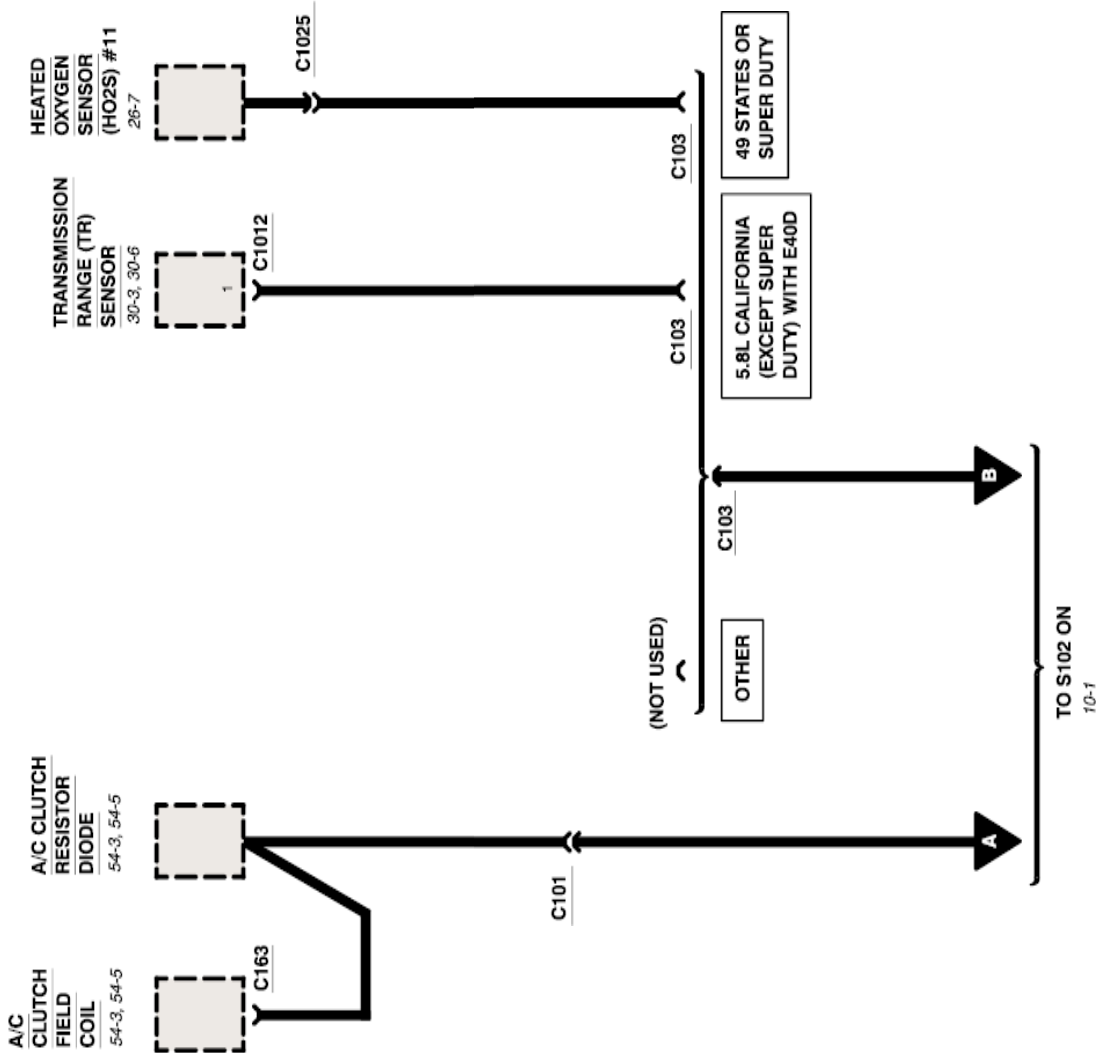
1997 F-250 HD/350/SUPER DUTY



# GROUNDS 10-4

1997 F-250 HD/350/SUPER DUTY

**GASOLINE**

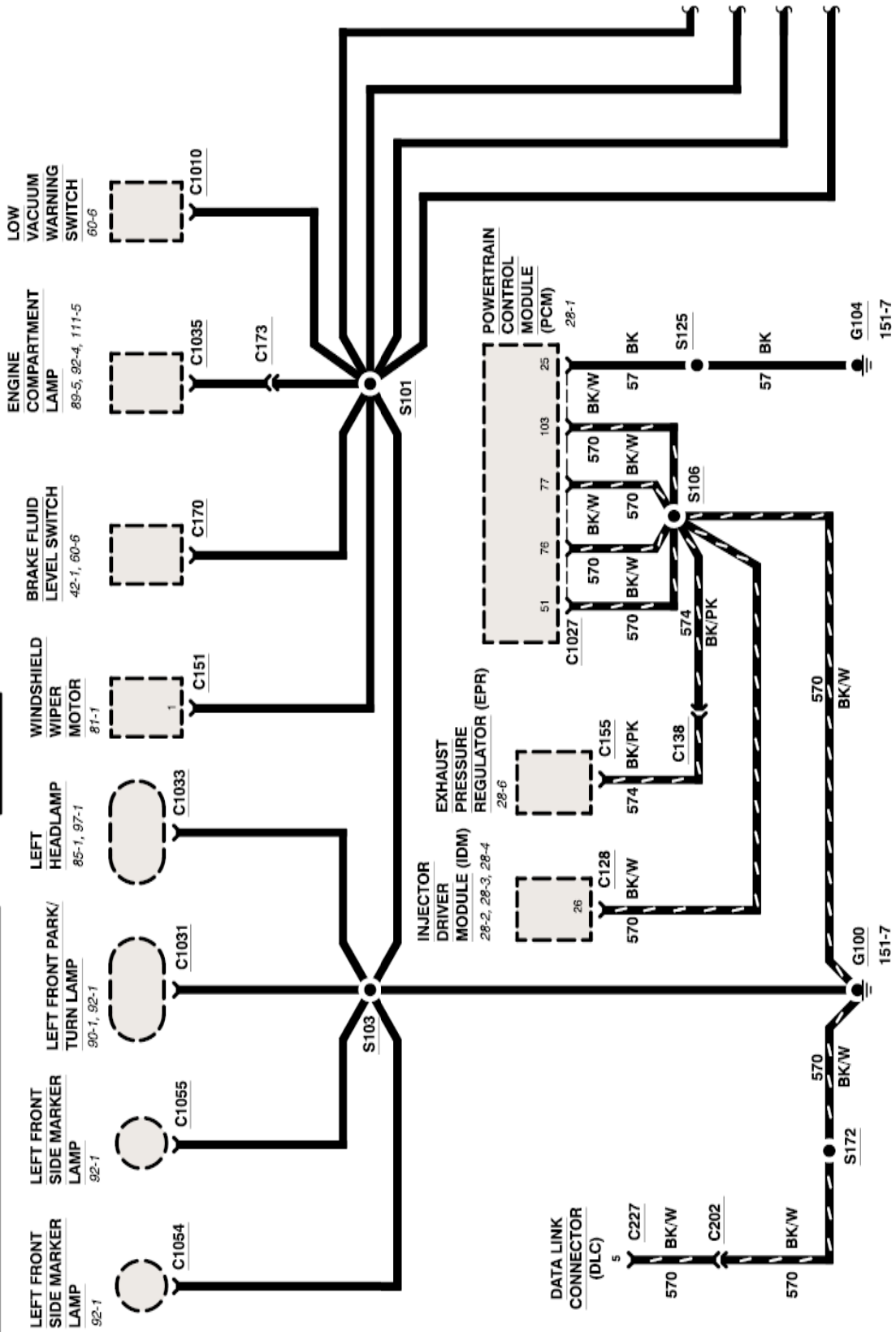


# 10-5 GROUNDS

1997 F-250 HD/350/SUPER DUTY

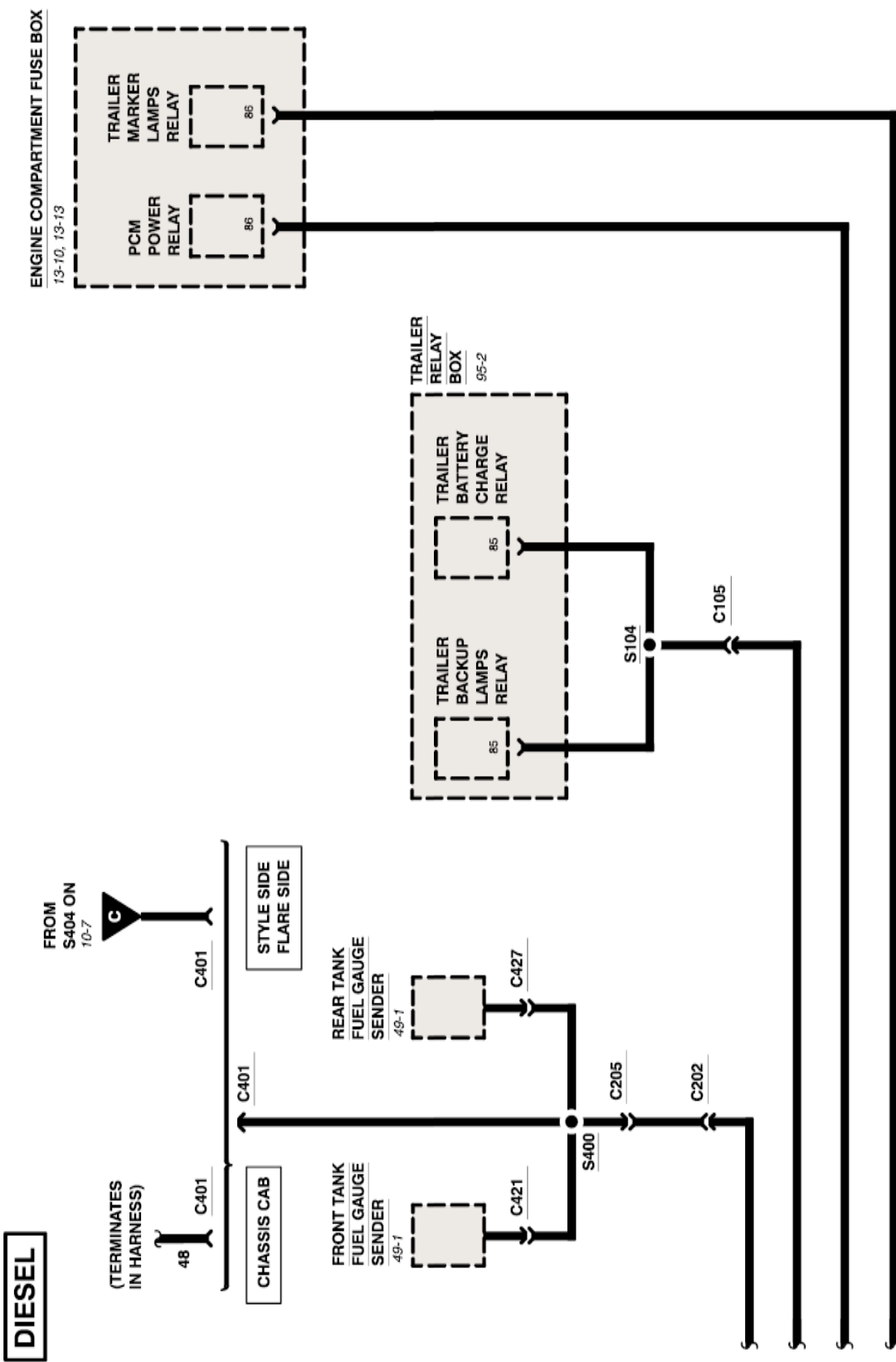
All circuits are 57 (BK) unless otherwise noted.

**DIESEL**



# GROUNDS 10-6

1997 F-250 HD/350/SUPER DUTY

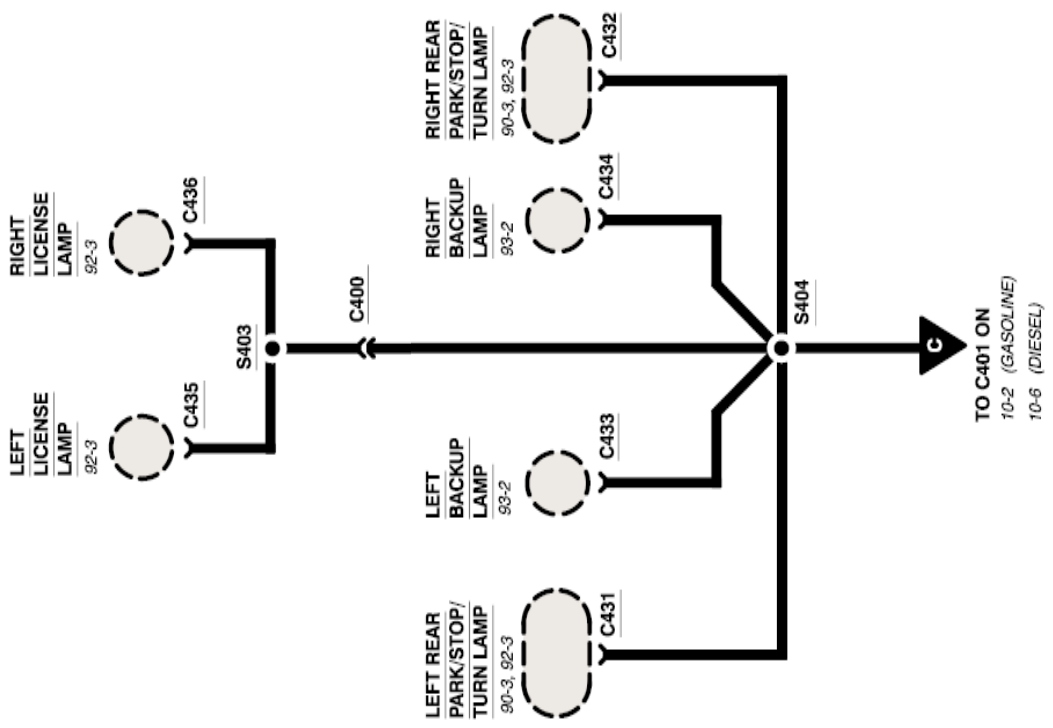


# 10-7 GROUNDS

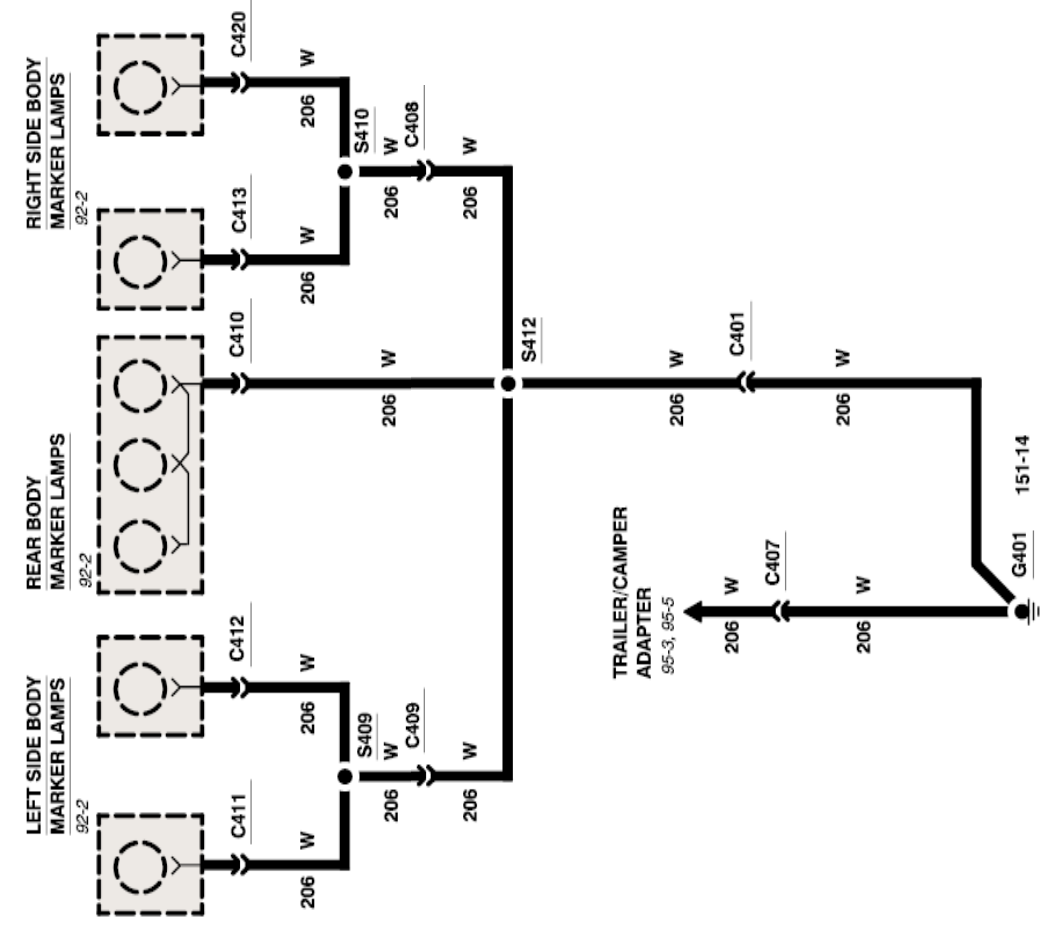
1997 F-250 HD/350/SUPER DUTY

All circuits are 57 (BK) unless otherwise noted.

STYLE SIDE  
FLARE SIDE



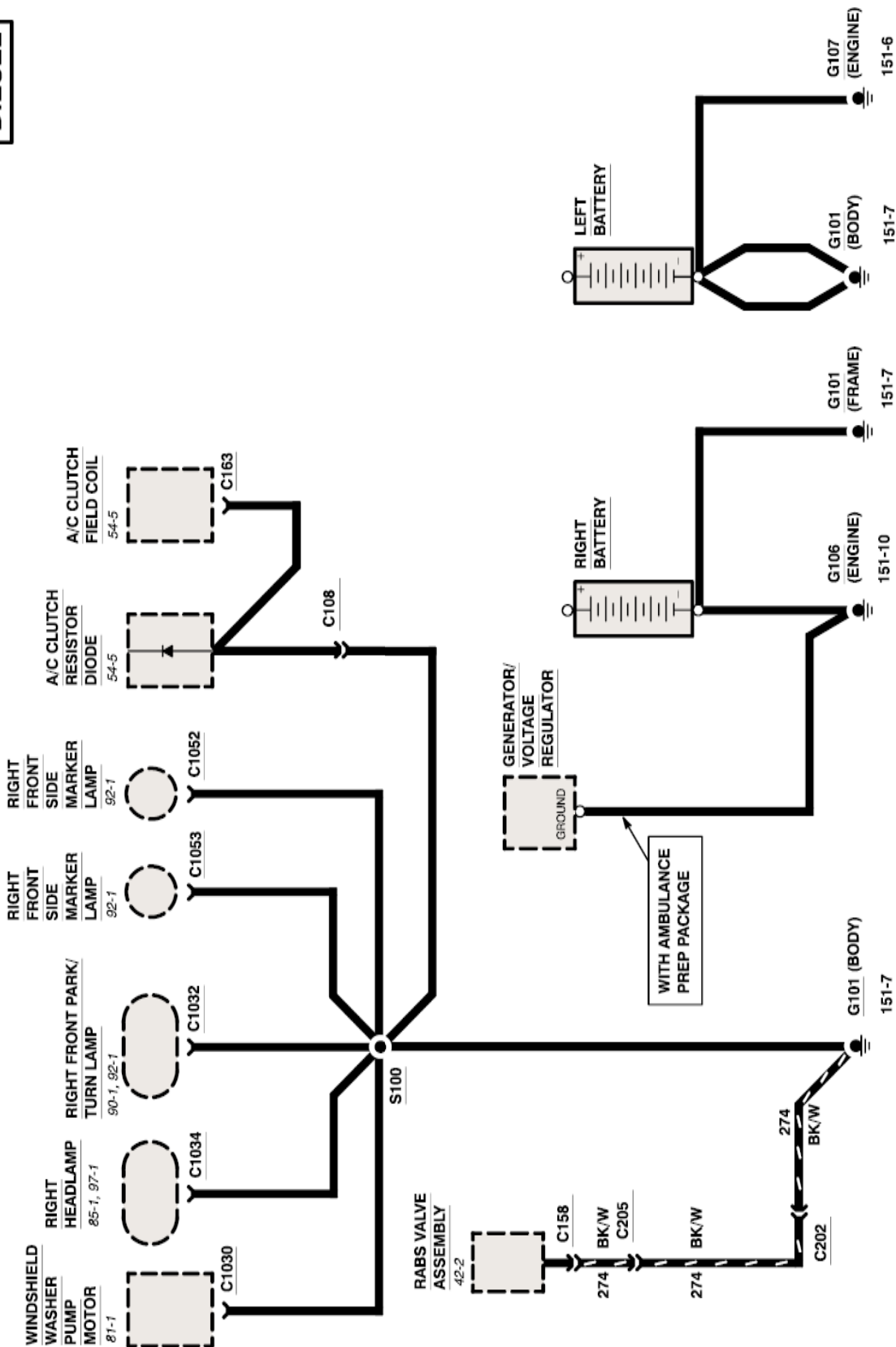
F350 DUAL REAR WHEEL



# GROUNDS 10-8

1997 F-250 HD/350/SUPER DUTY

**DIESEL**

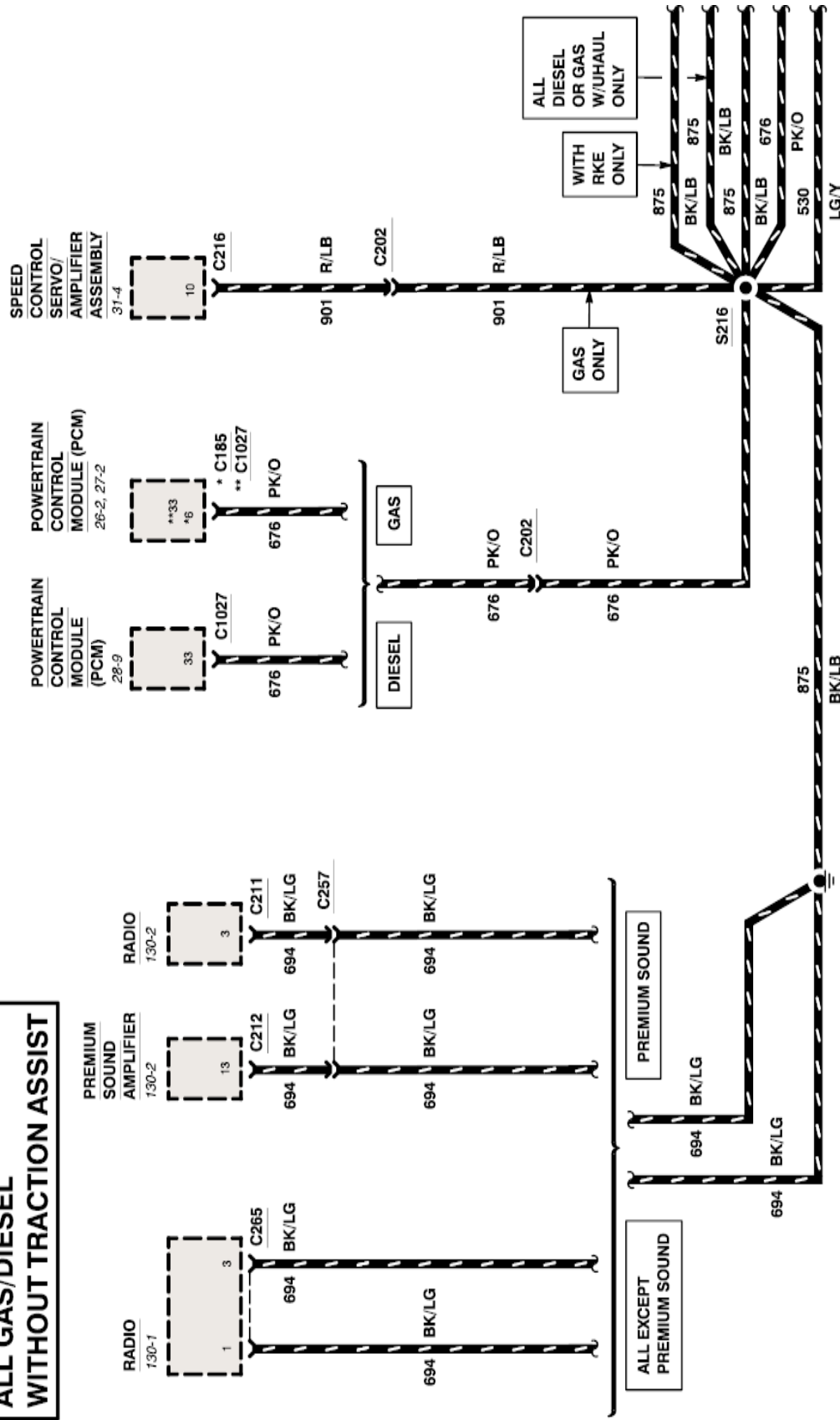




# 10-9 GROUNDING

1997 F-250 HD/350/SUPER DUTY

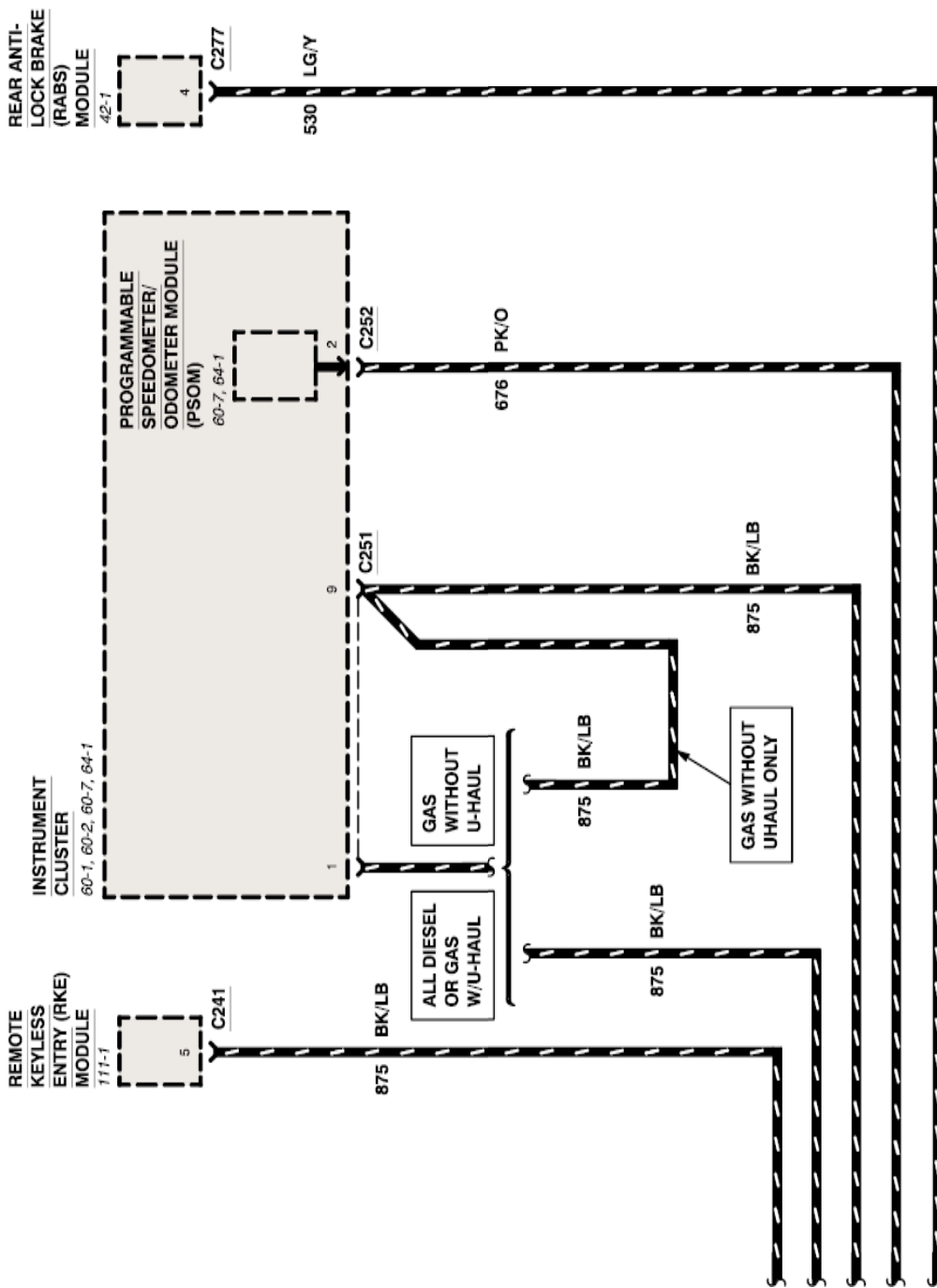
**ALL GAS/DIESEL  
WITHOUT TRACTION ASSIST**



\*\* CALIFORNIA EXCEPT SUPER DUTY  
\* 49 STATES OR SUPER DUTY

# GROUNDS 10-10

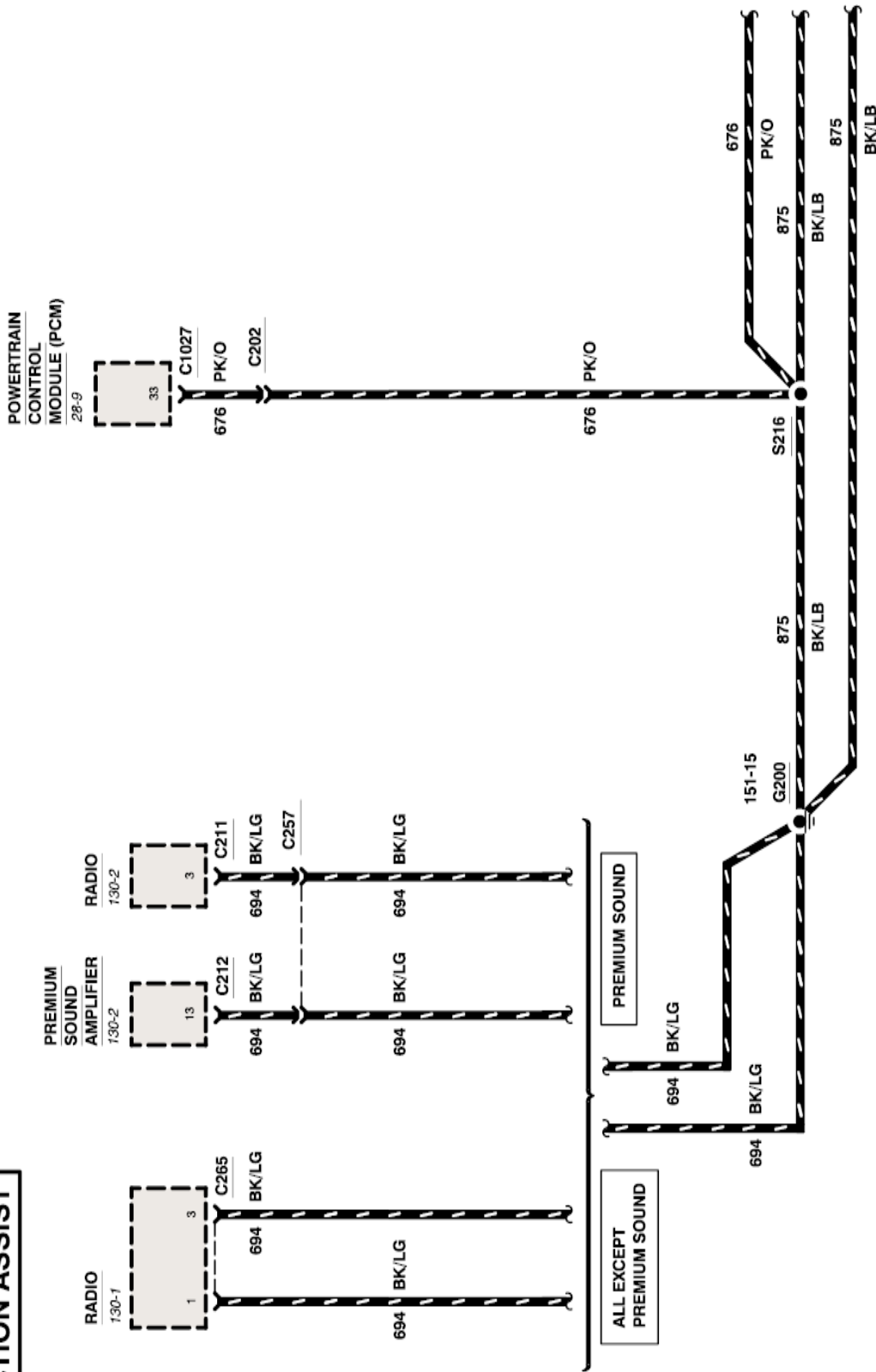
1997 F-250 HD/350/SUPER DUTY



# 10-11 GROUNDS

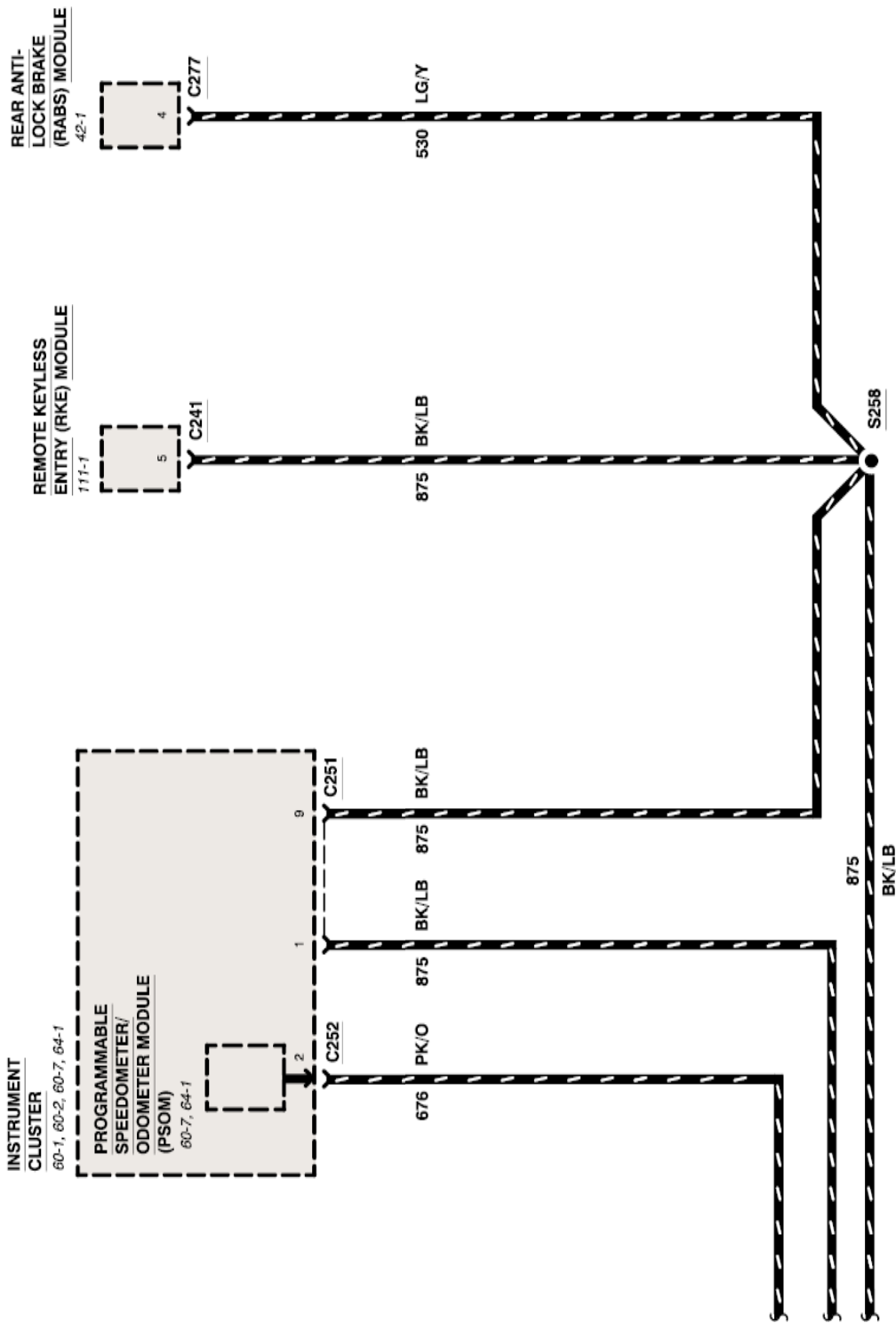
1997 F-250 HD/350/SUPER DUTY

**ALL DIESEL WITH TRACTION ASSIST**



# GROUNDING 10-12

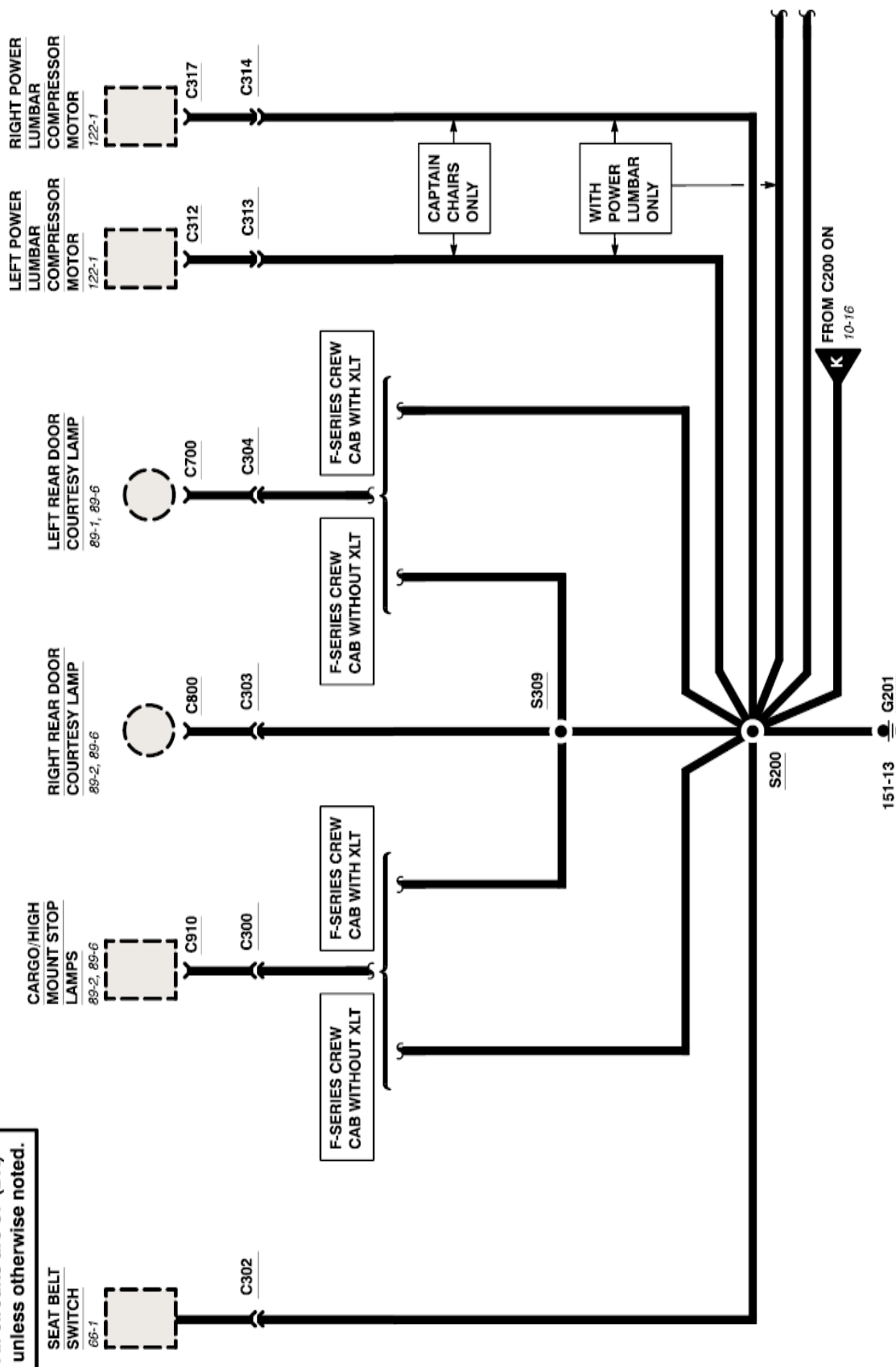
1997 F-250 HD/350/SUPER DUTY



# 10-13 GROUNDS

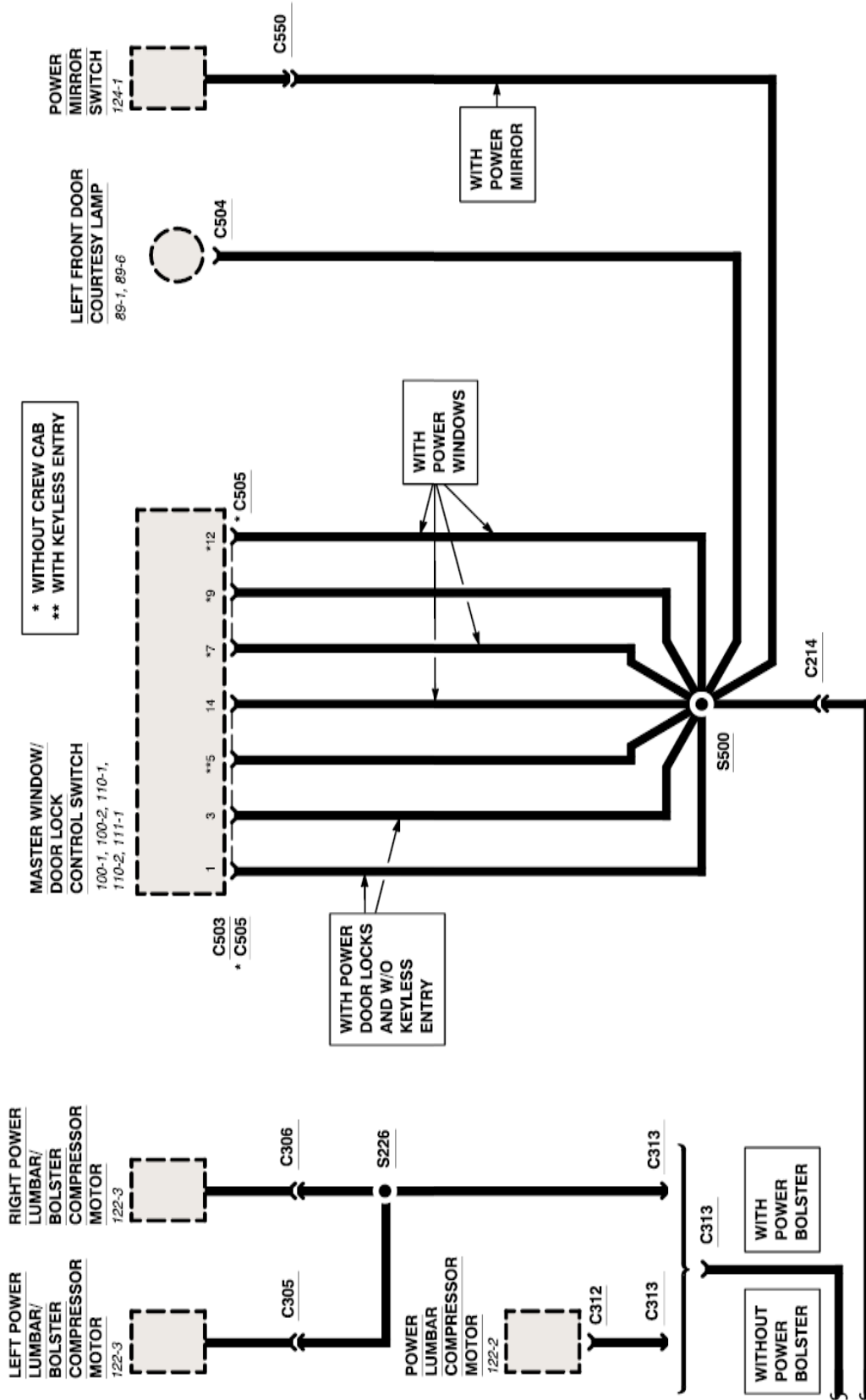
1997 F-250 HD/350/SUPER DUTY

All circuits are 57 (BK) unless otherwise noted.



# GROUNDS 10-14

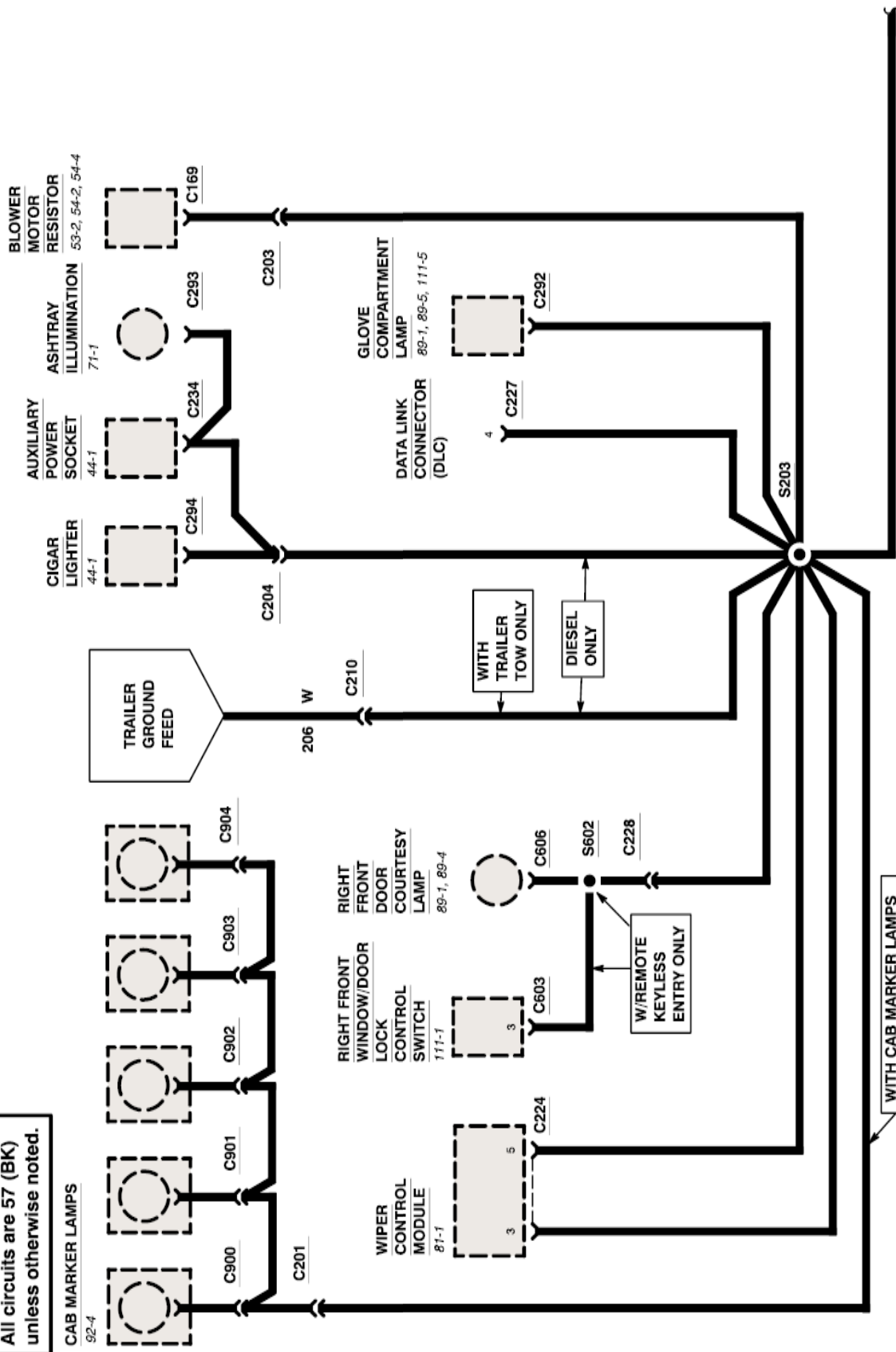
1997 F-250 HD/350/SUPER DUTY



# 10-15 GROUNDS

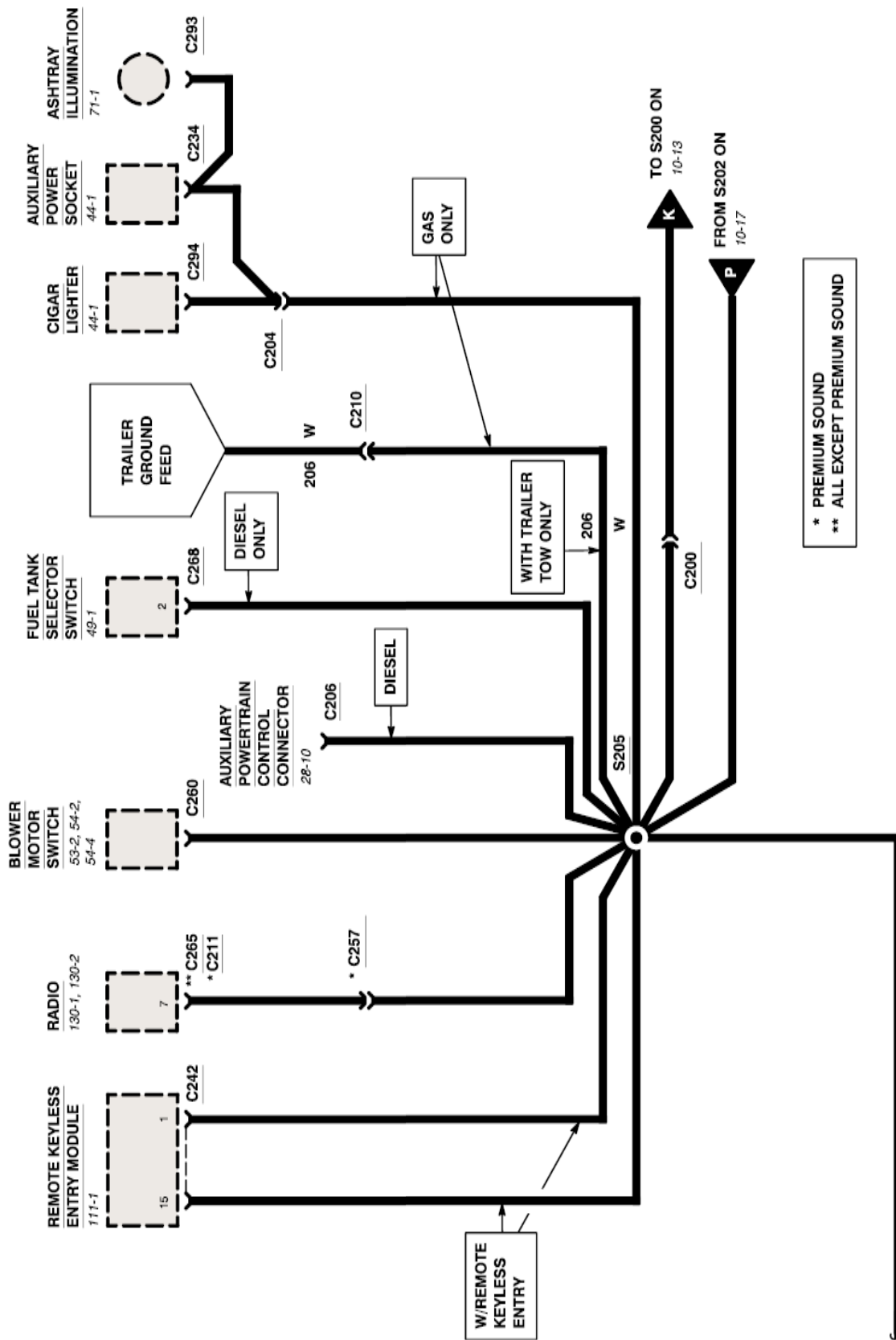
1997 F-250 HD/350/SUPER DUTY

All circuits are 57 (BK) unless otherwise noted.



# GROUNDS 10-16

1997 F-250 HD/350/SUPER DUTY



\* PREMIUM SOUND  
 \*\* ALL EXCEPT PREMIUM SOUND



# 10-17 GROUNDS

1997 F-250 HD/350/SUPER DUTY

All circuits are 57 (BK) unless otherwise noted.

