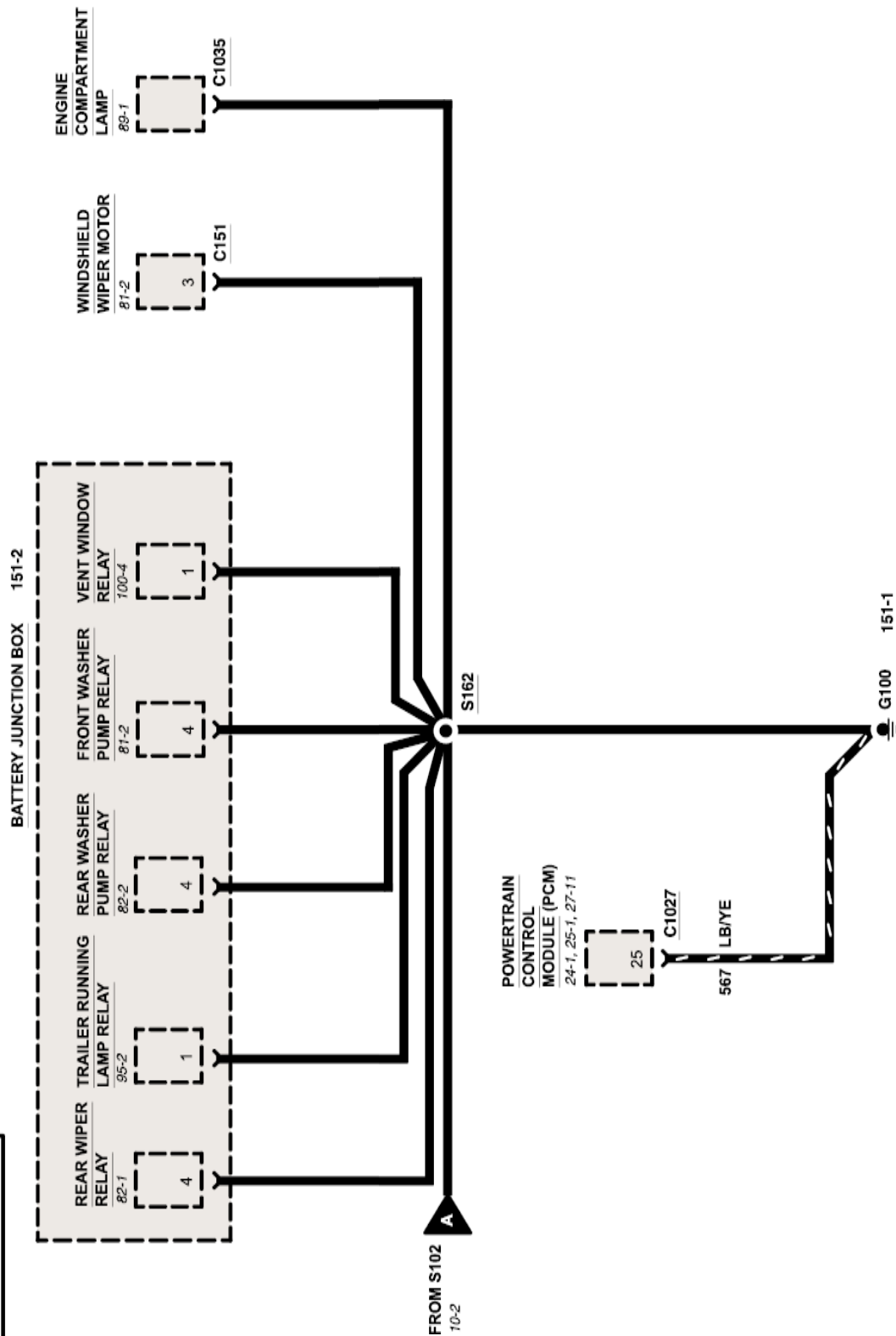


10-1 GROUNDS

2000 EXCURSION, SUPER DUTY SERIES F-250, F-350, F-450, F-550

All wires are 57 (BK) unless otherwise noted.

EXCURSION



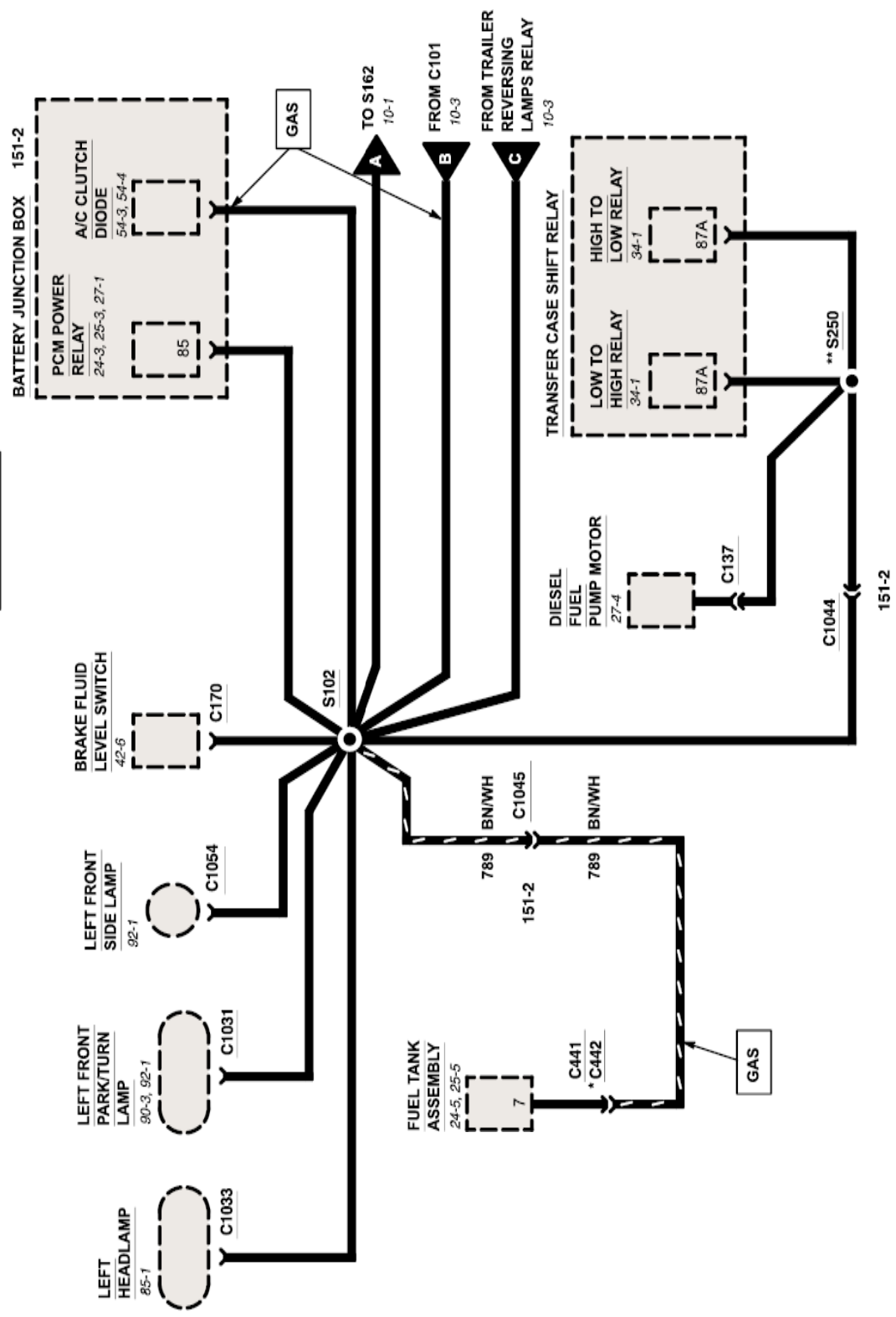
10-2 GROUND

2000 EXCURSION, SUPER DUTY SERIES F-250, F-350, F-450, F-550

All wires are 57 (BK) unless otherwise noted.

EXCURSION

* CALIFORNIA
** ESOF

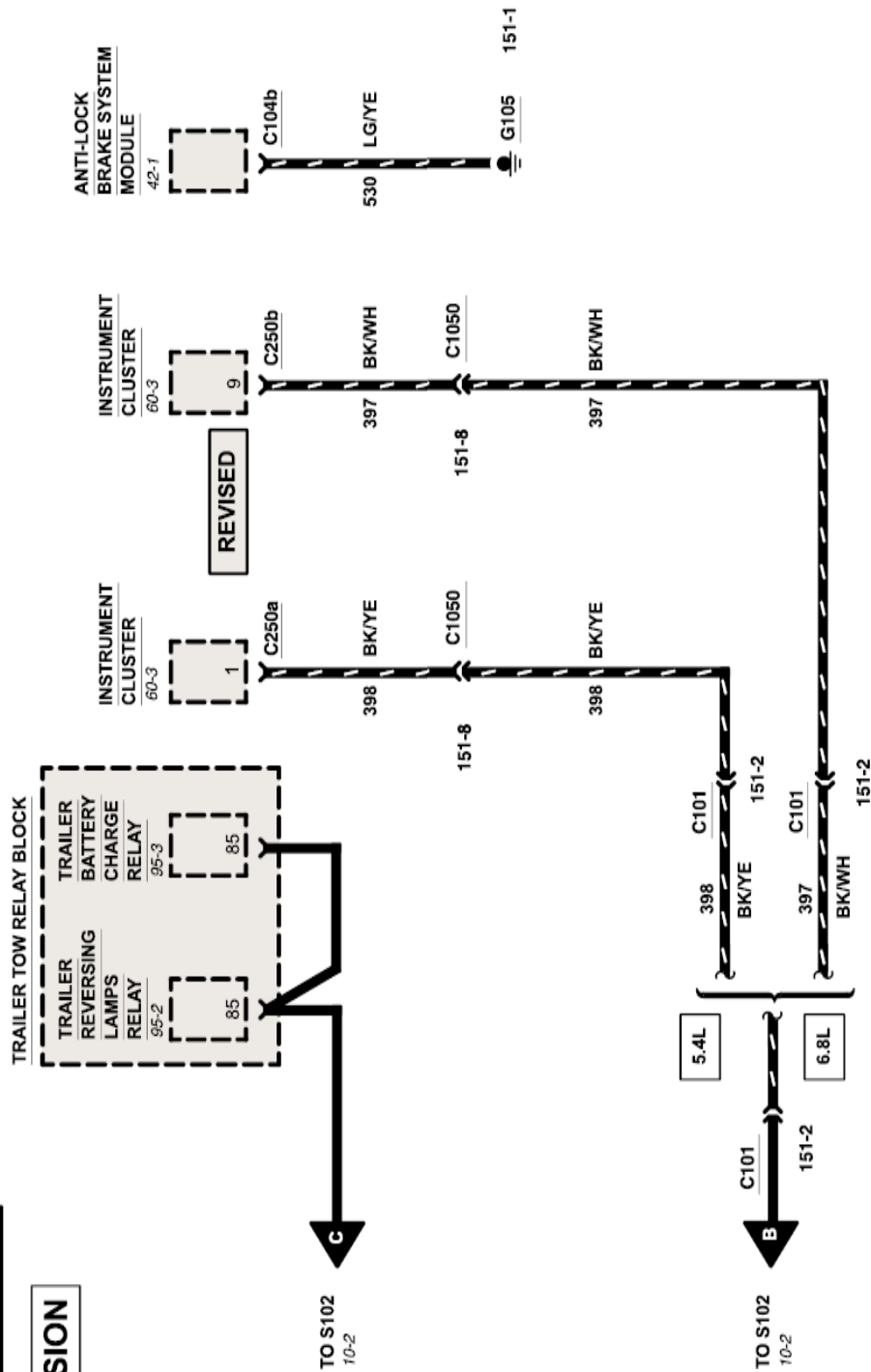


10-3 GROUNDS

2000 EXCURSION, SUPER DUTY SERIES F-250, F-350, F-450, F-550

All wires are 57 (BK) unless otherwise noted.

EXCURSION



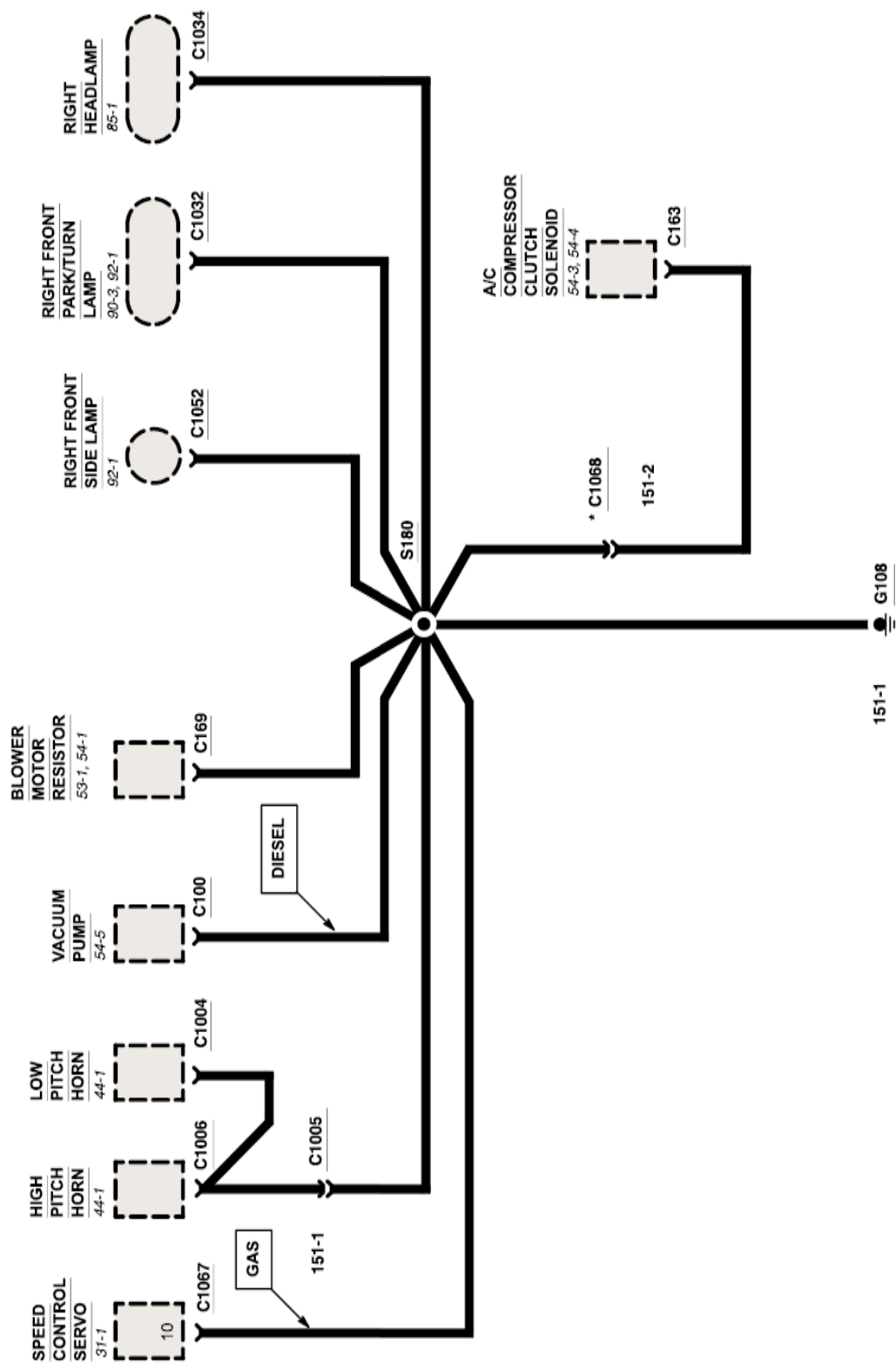
GROUNDS 10-4

2000 EXCURSION, SUPER DUTY SERIES F-250, F-350, F-450, F-550

EXCURSION

* GASOLINE

All wires are 57 (BK) unless otherwise noted.

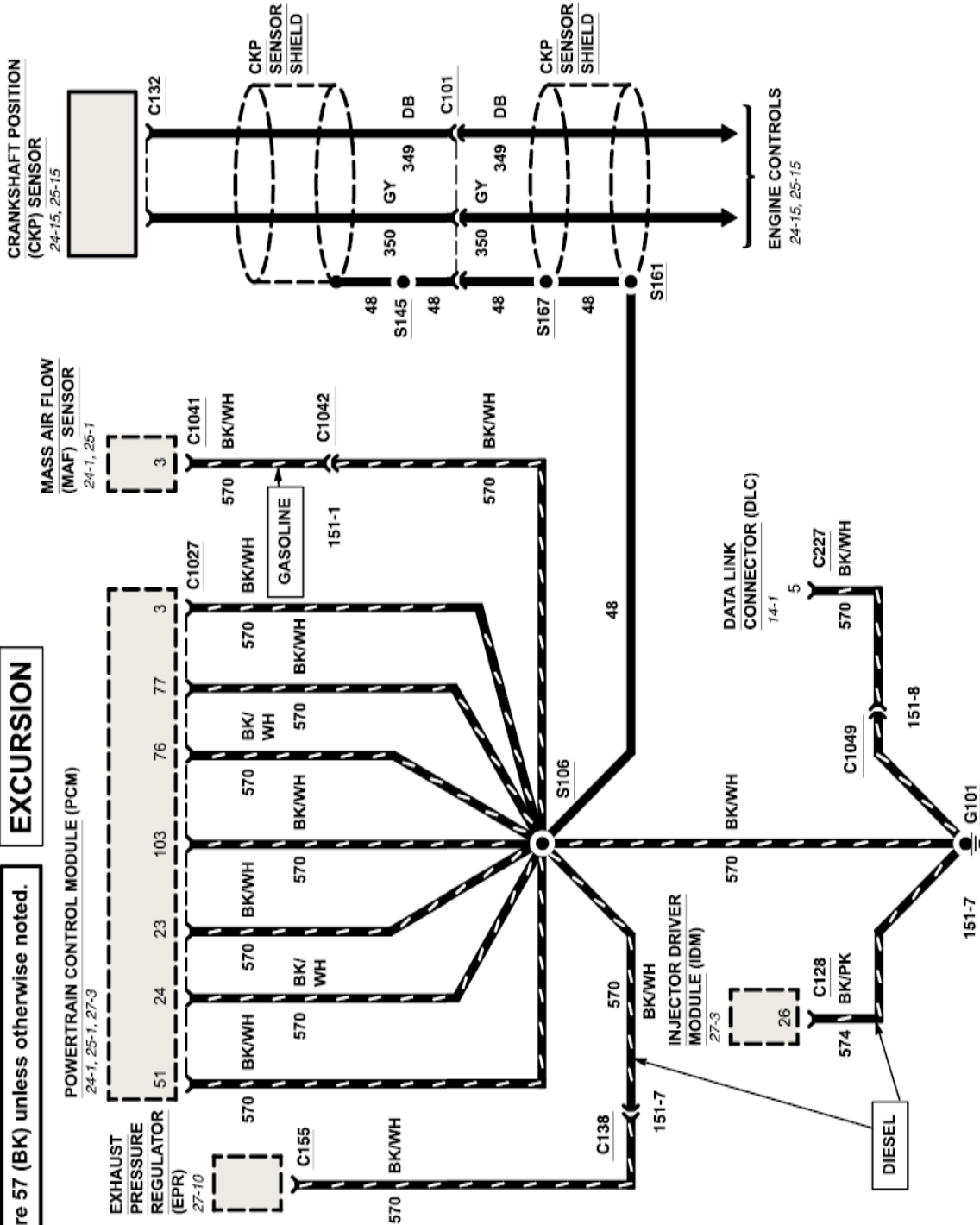


10-5 GROUNDS

2000 EXCURSION, SUPER DUTY SERIES F-250, F-350, F-450, F-550

EXCURSION

All wires are 57 (BK) unless otherwise noted.

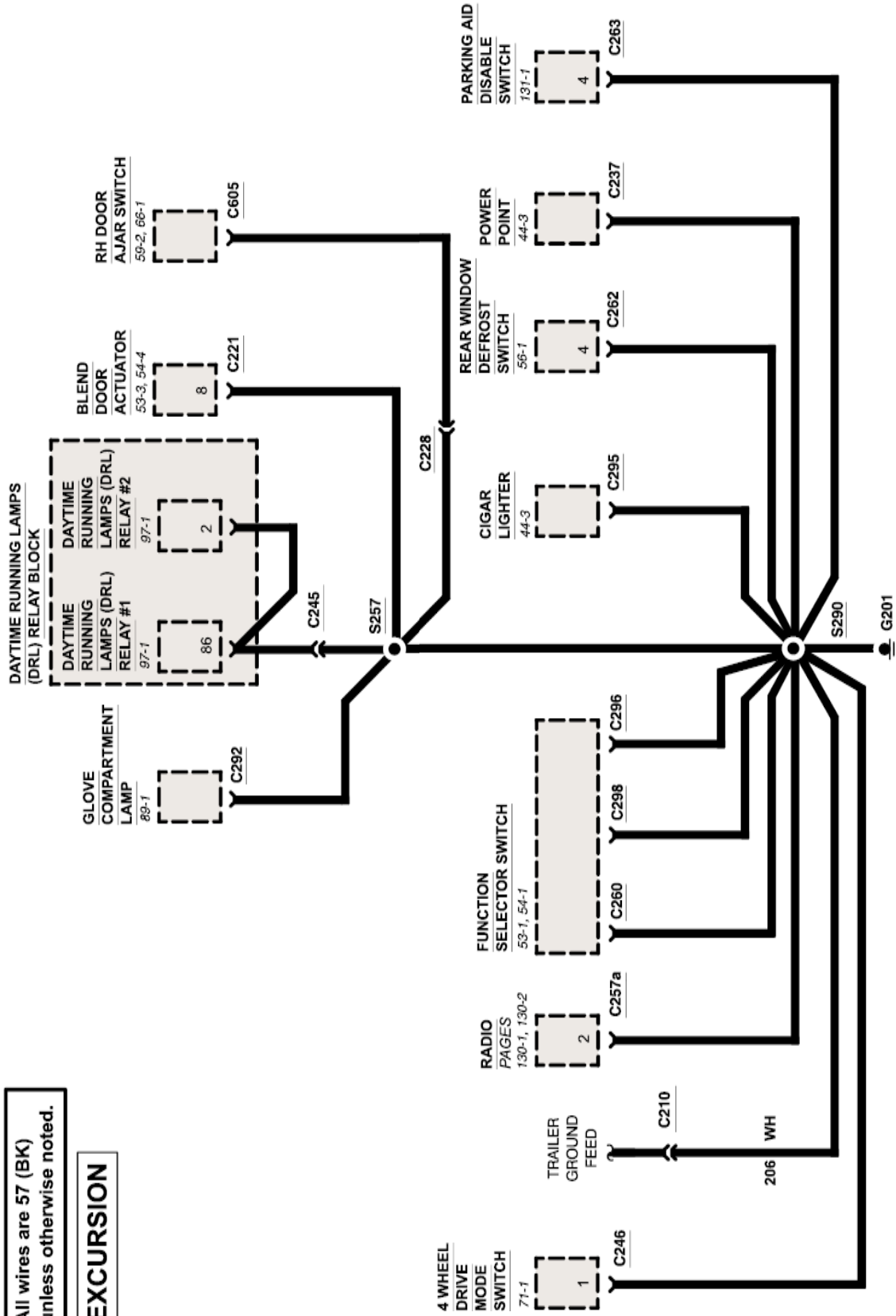


10-7 GROUND S

2000 EXCURSION, SUPER DUTY SERIES F-250, F-350, F-450, F-550

All wires are 57 (BK) unless otherwise noted.

EXCURSION

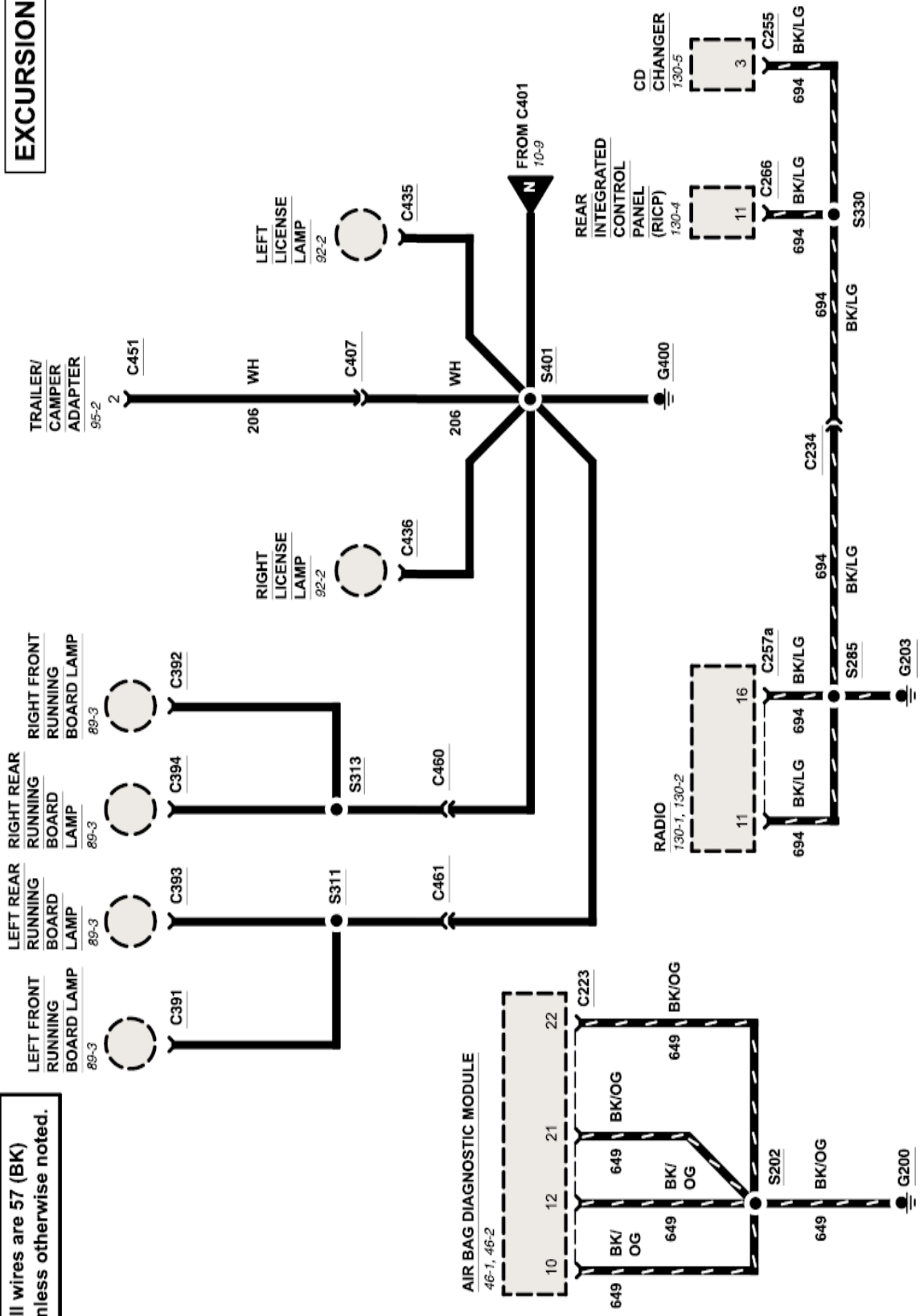


GROUNDING 10-8

2000 EXCURSION, SUPER DUTY SERIES F-250, F-350, F-450, F-550

All wires are 57 (BK) unless otherwise noted.

EXCURSION

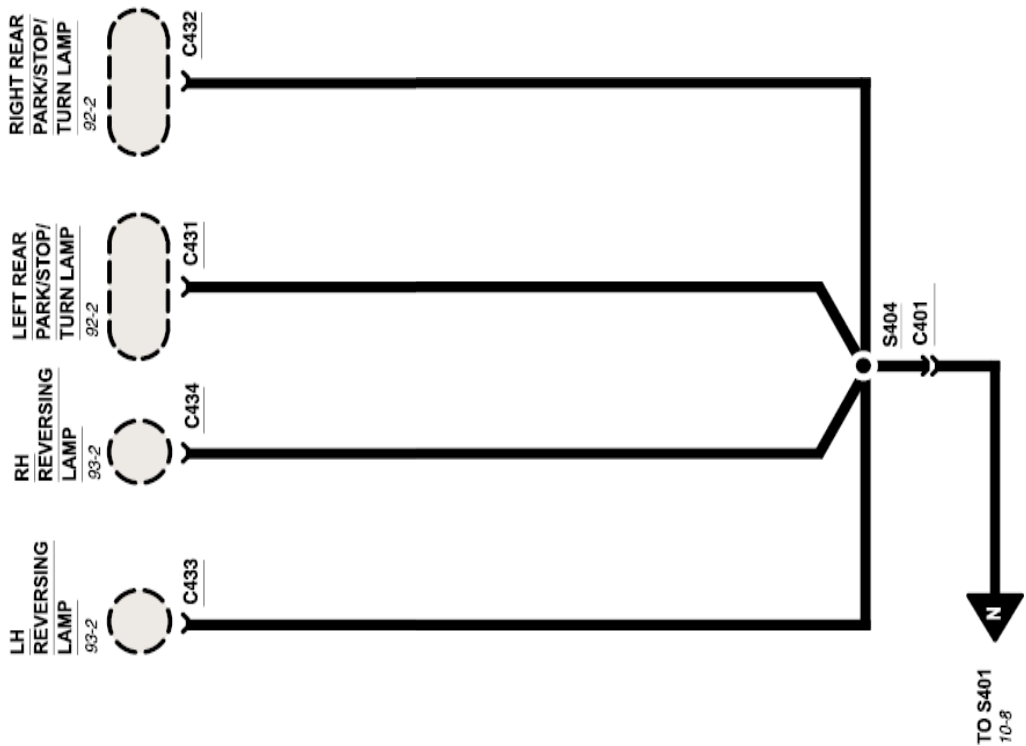


10-9 GROUNDS

2000 EXCURSION, SUPER DUTY SERIES F-250, F-350, F-450, F-550

All wires are 57 (BK) unless otherwise noted.

EXCURSION

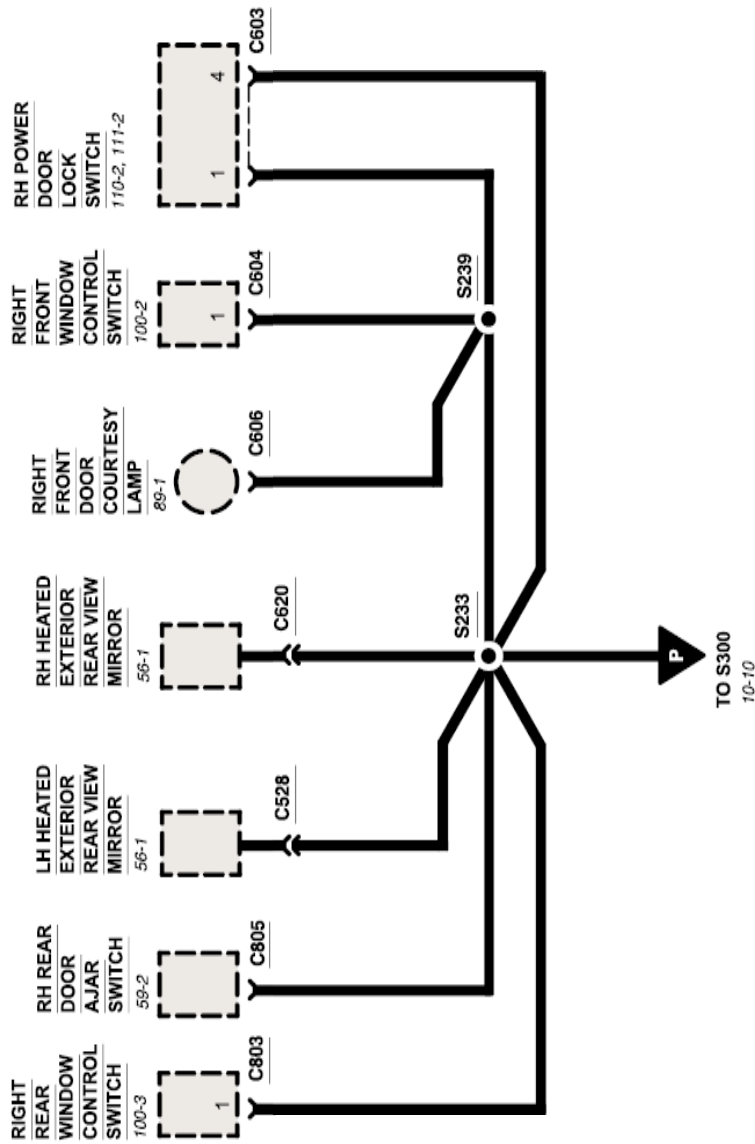


10-11 GROUNDS

2000 EXCURSION, SUPER DUTY SERIES F-250, F-350, F-450, F-550

All wires are 57 (BK) unless otherwise noted.

EXCURSION

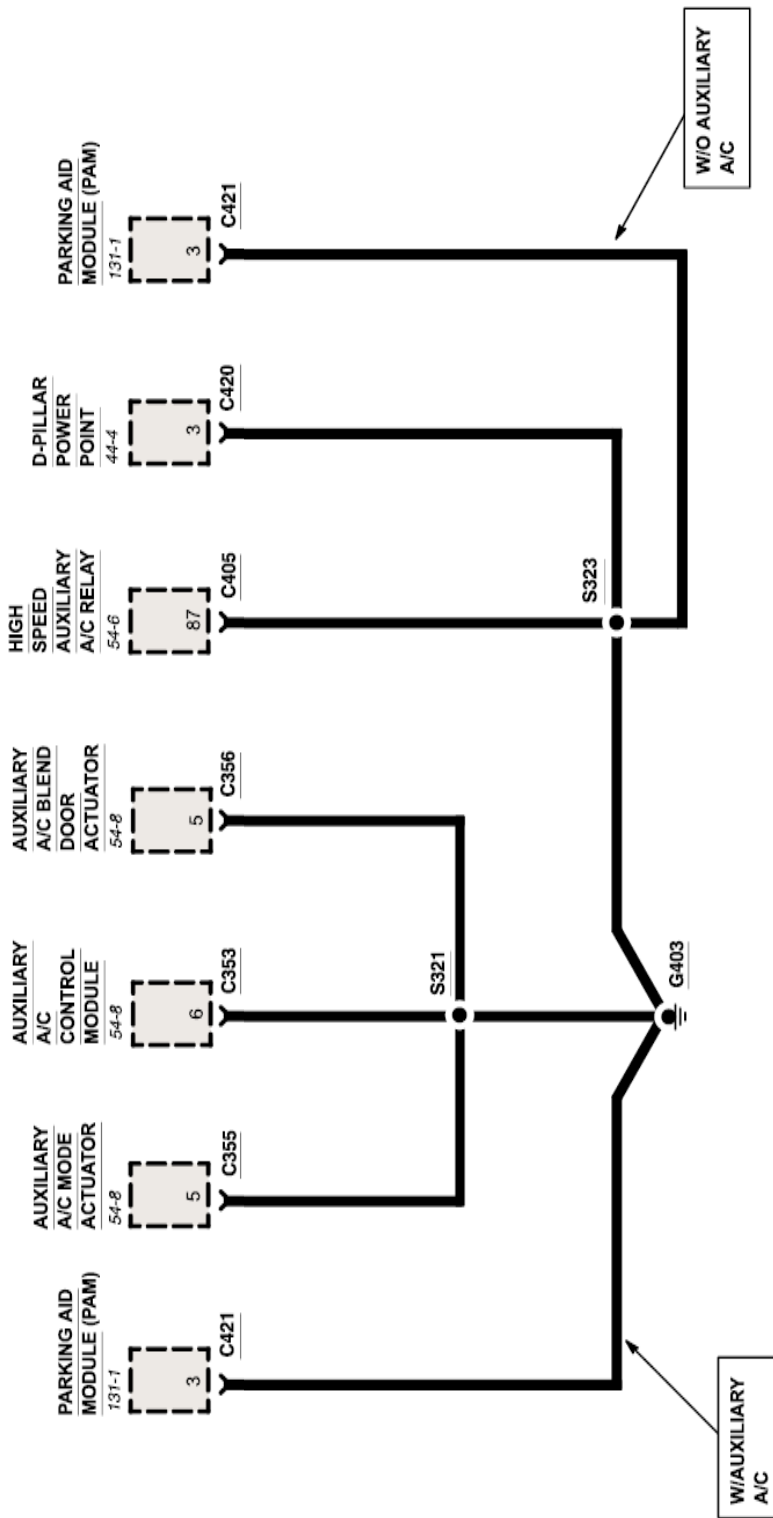


2000 EXCURSION, SUPER DUTY SERIES F-250, F-350, F-450, F-550

10-12

All wires are 57 (BK) unless otherwise noted.

EXCURSION

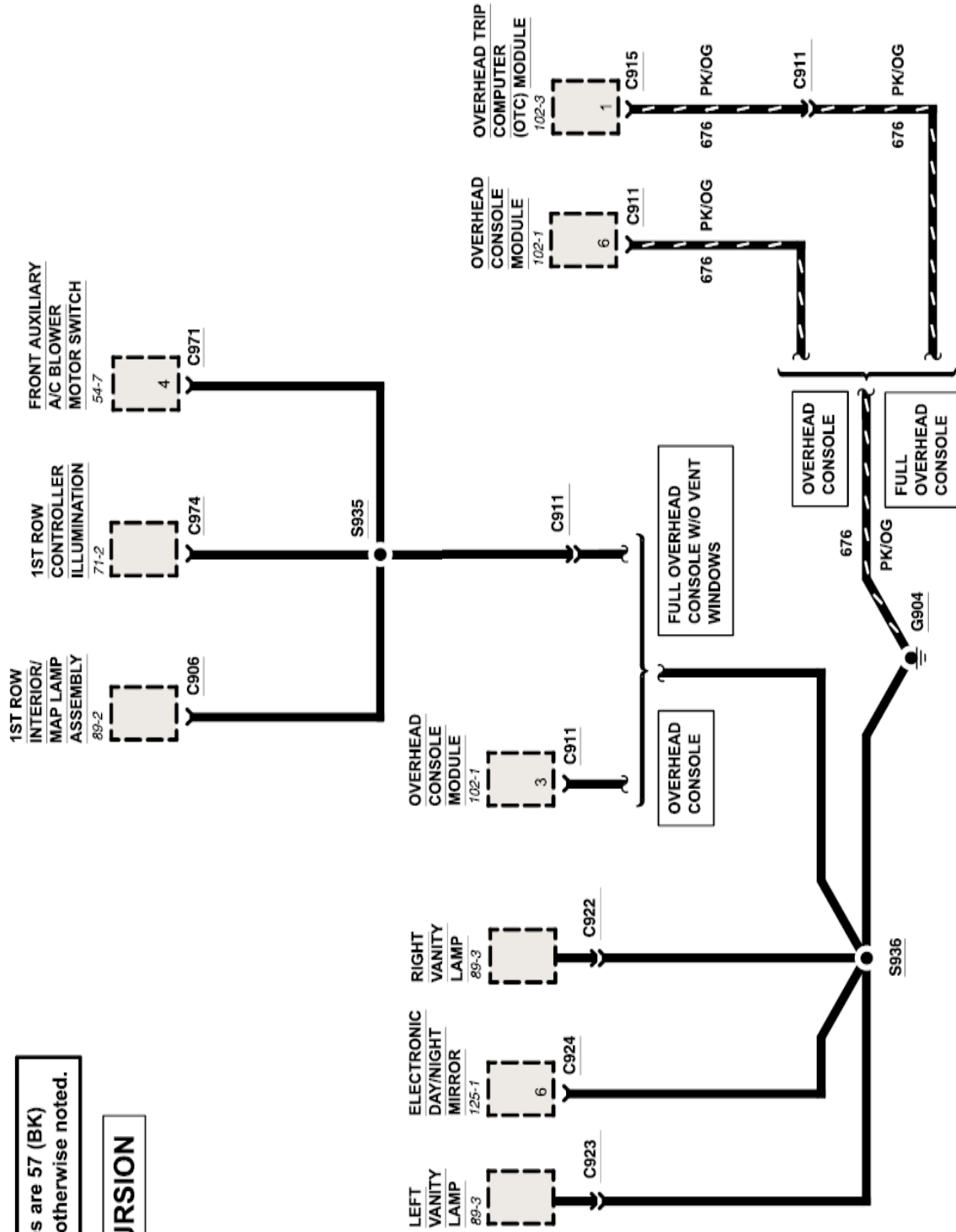


10-13 GROUNDS

2000 EXCURSION, SUPER DUTY SERIES F-250, F-350, F-450, F-550

All wires are 57 (BK) unless otherwise noted.

EXCURSION

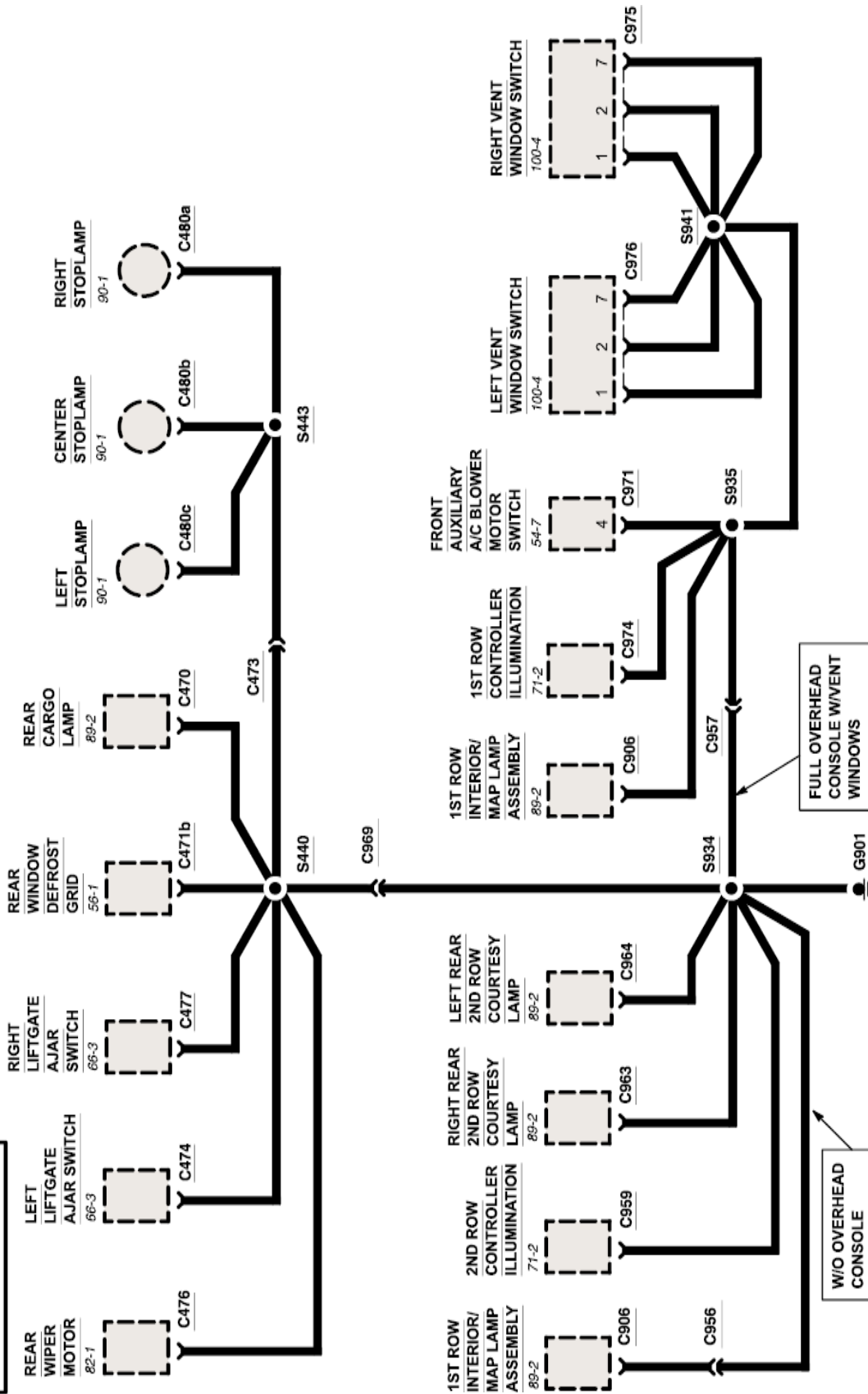


GROUNDS 10-14

2000 EXCURSION, SUPER DUTY SERIES F-250, F-350, F-450, F-550

EXCURSION

All wires are 57 (BK) unless otherwise noted.

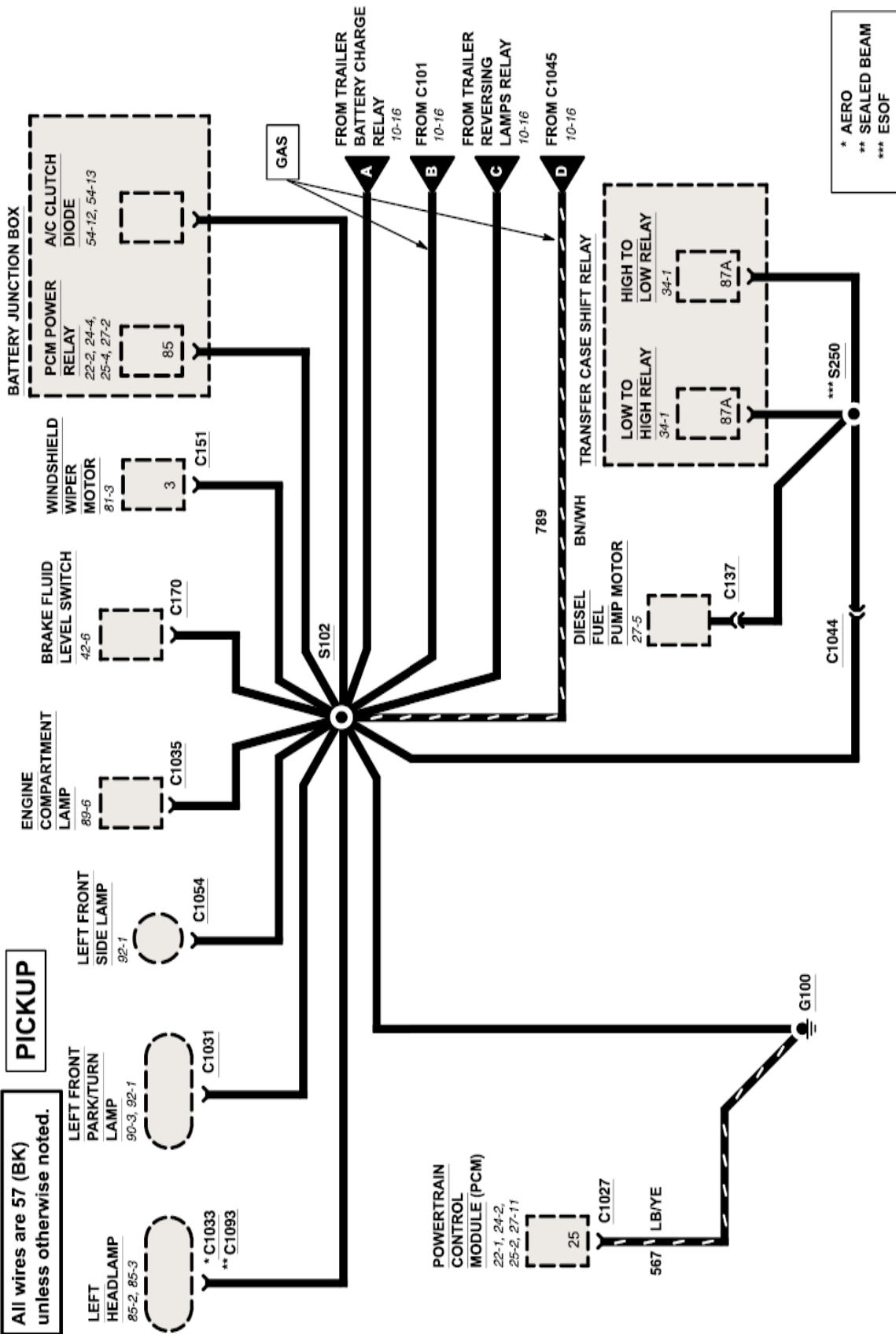


10-15 GROUNDS

2000 EXCURSION, SUPER DUTY SERIES F-250, F-350, F-450, F-550

All wires are 57 (BK) unless otherwise noted.

PICKUP



* AERO
 ** SEALED BEAM
 *** ESOF

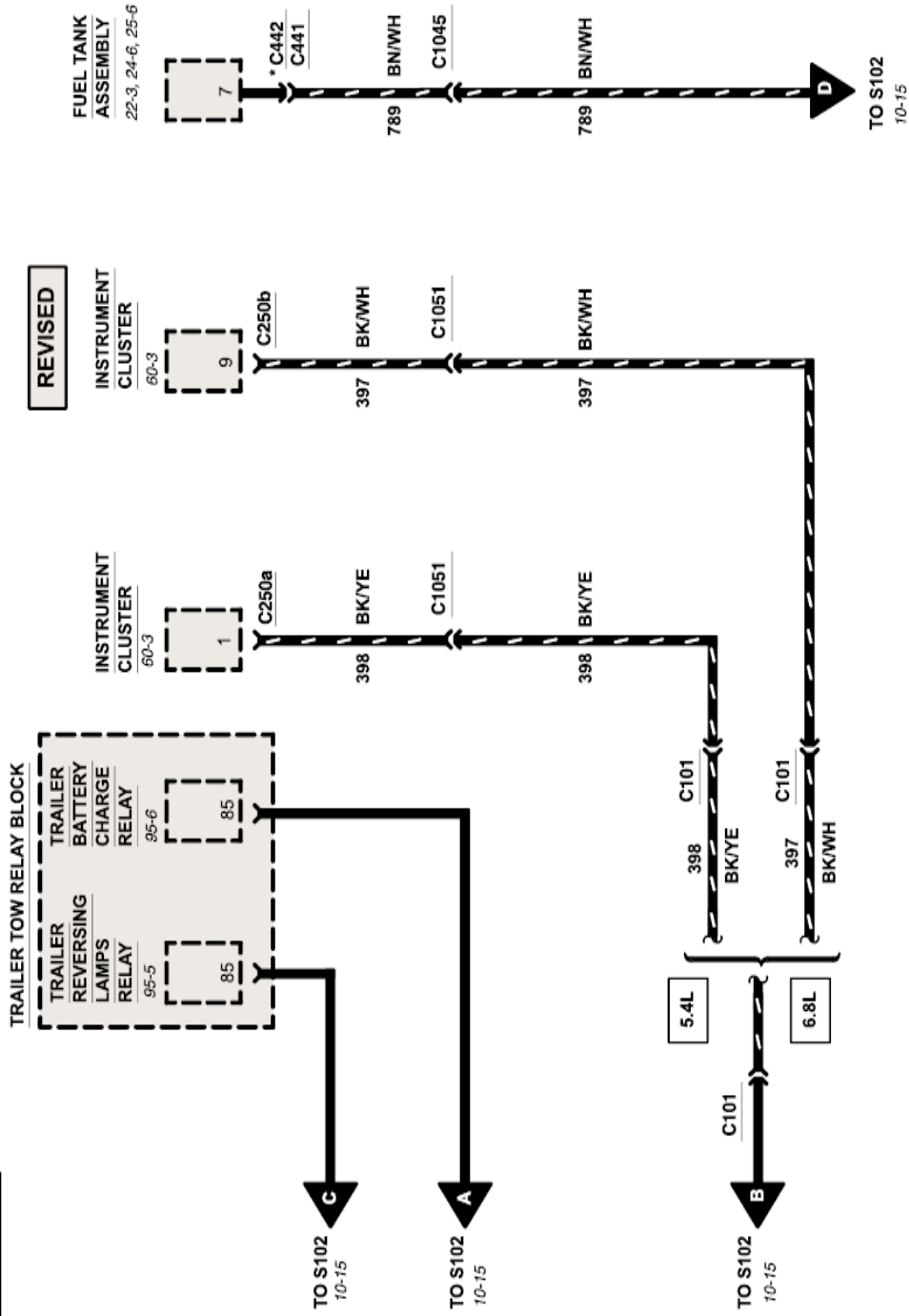
GROUND 10-16

2000 EXCURSION, SUPER DUTY SERIES F-250, F-350, F-450, F-550

All wires are 57 (BK) unless otherwise noted.

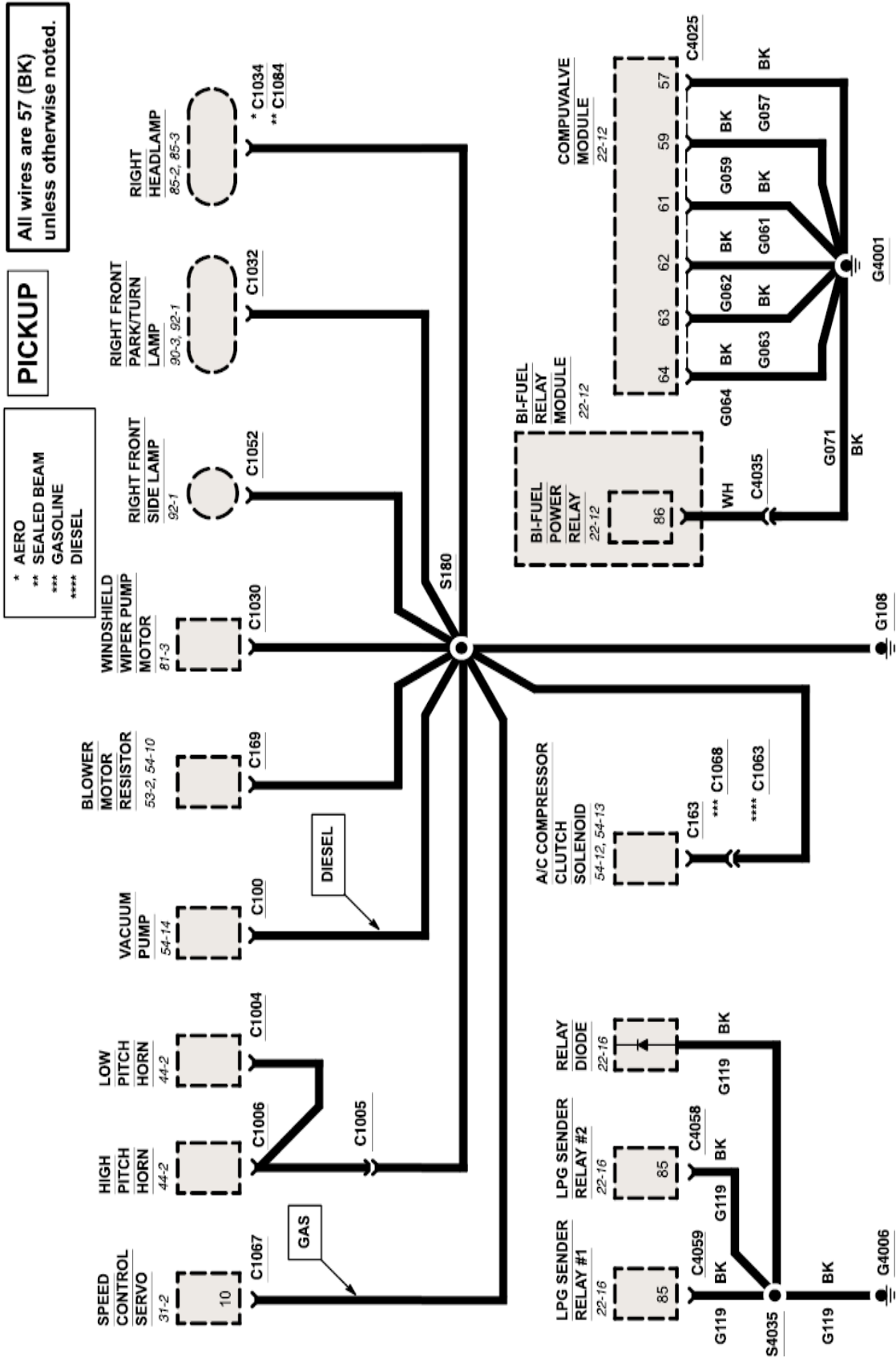
PICKUP

* CALIFORNIA



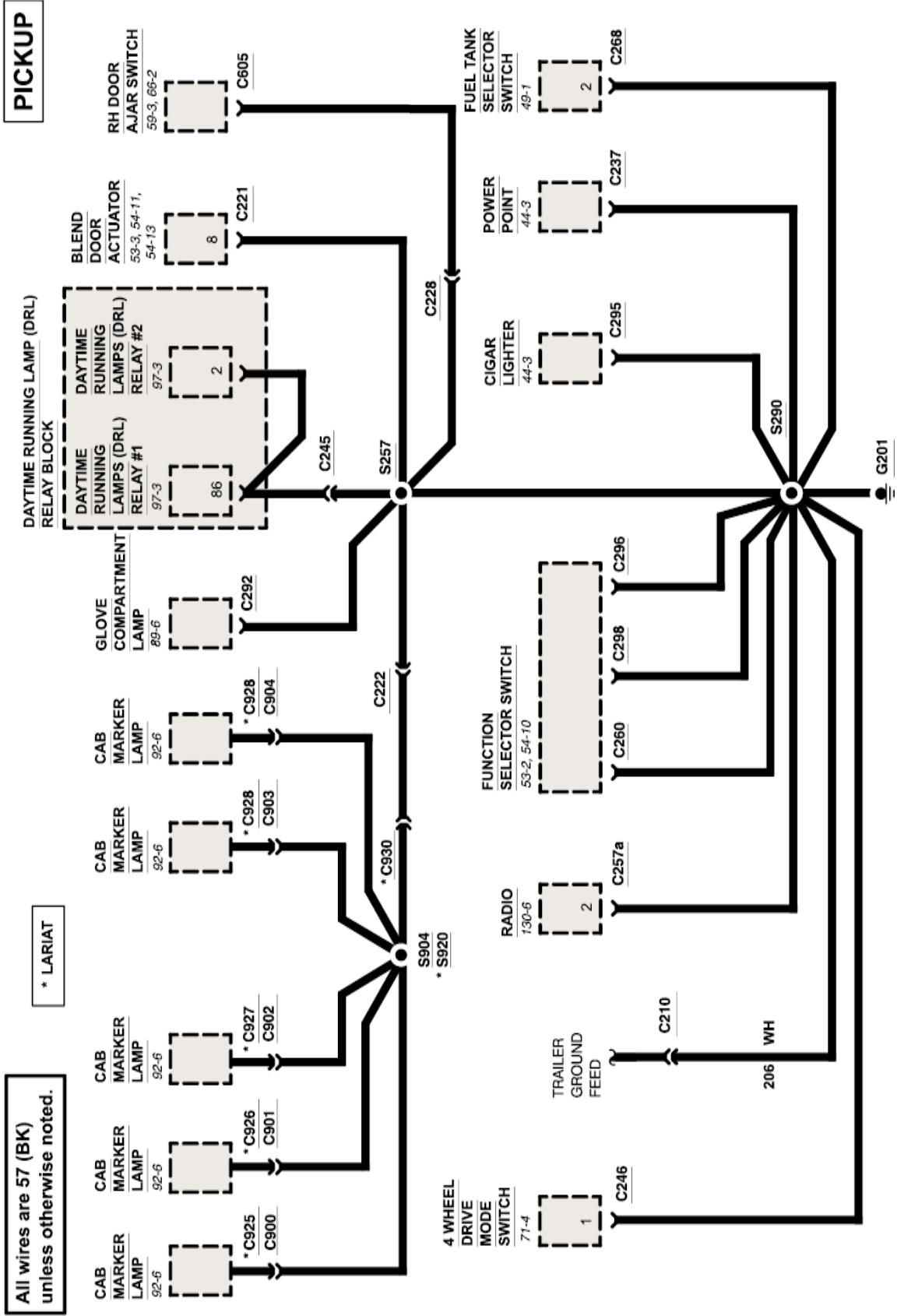
10-17 GROUNDS

2000 EXCURSION, SUPER DUTY SERIES F-250, F-350, F-450, F-550



GROUNDS 10-20

2000 EXCURSION, SUPER DUTY SERIES F-250, F-350, F-450, F-550

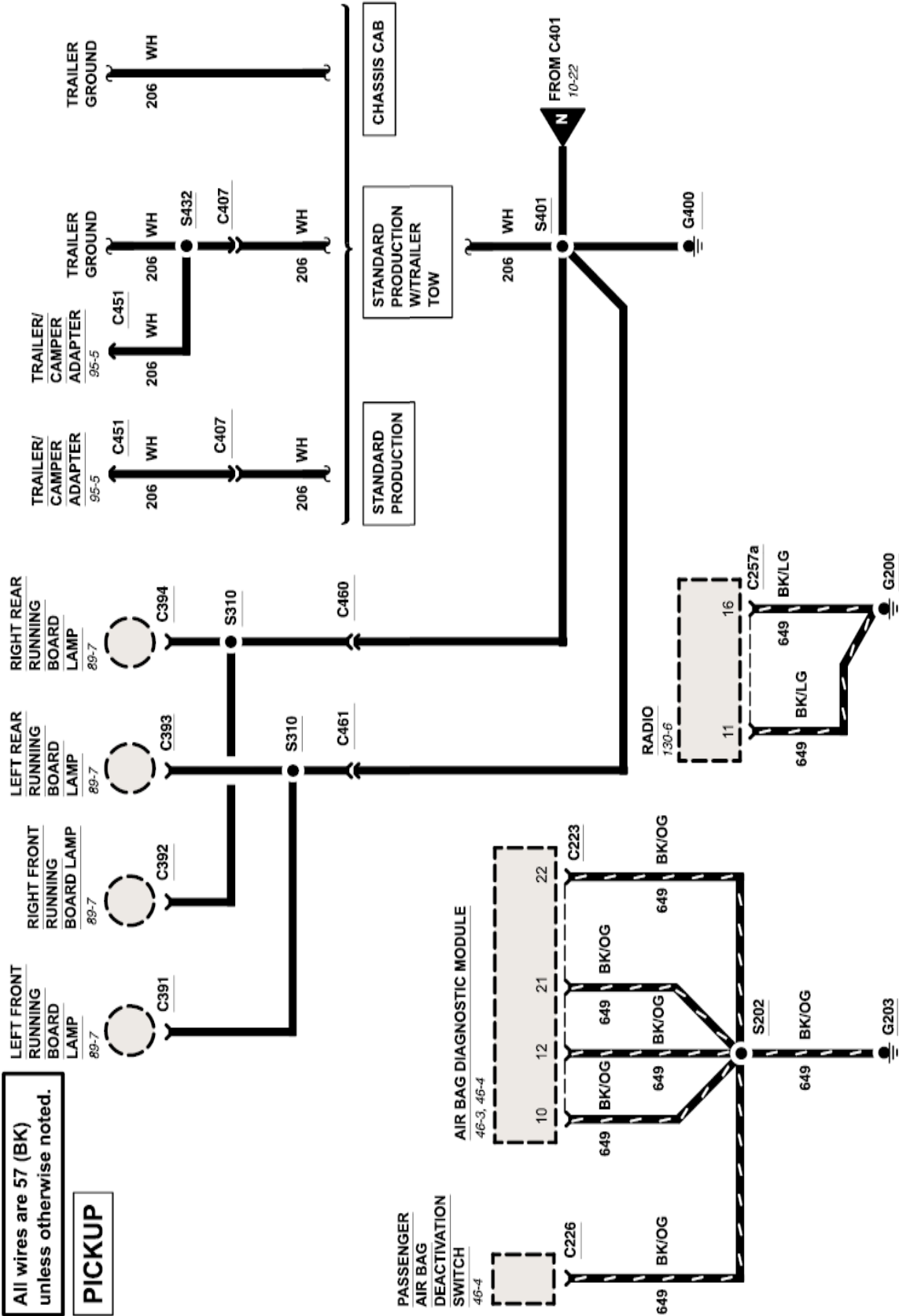


10-21 GROUNDS

2000 EXCURSION, SUPER DUTY SERIES F-250, F-350, F-450, F-550

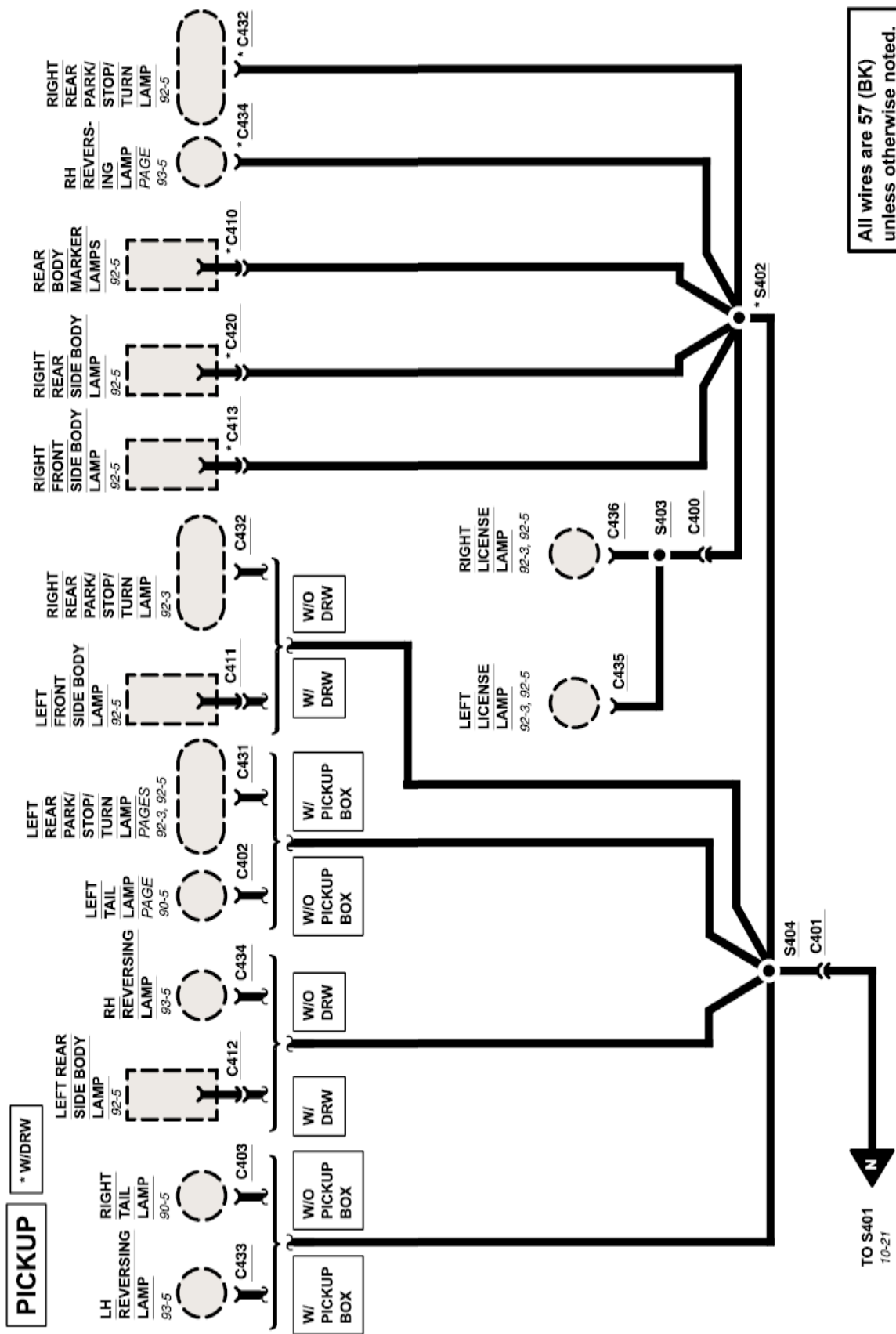
All wires are 57 (BK) unless otherwise noted.

PICKUP



GROUNDING 10-22

2000 EXCURSION, SUPER DUTY SERIES F-250, F-350, F-450, F-550



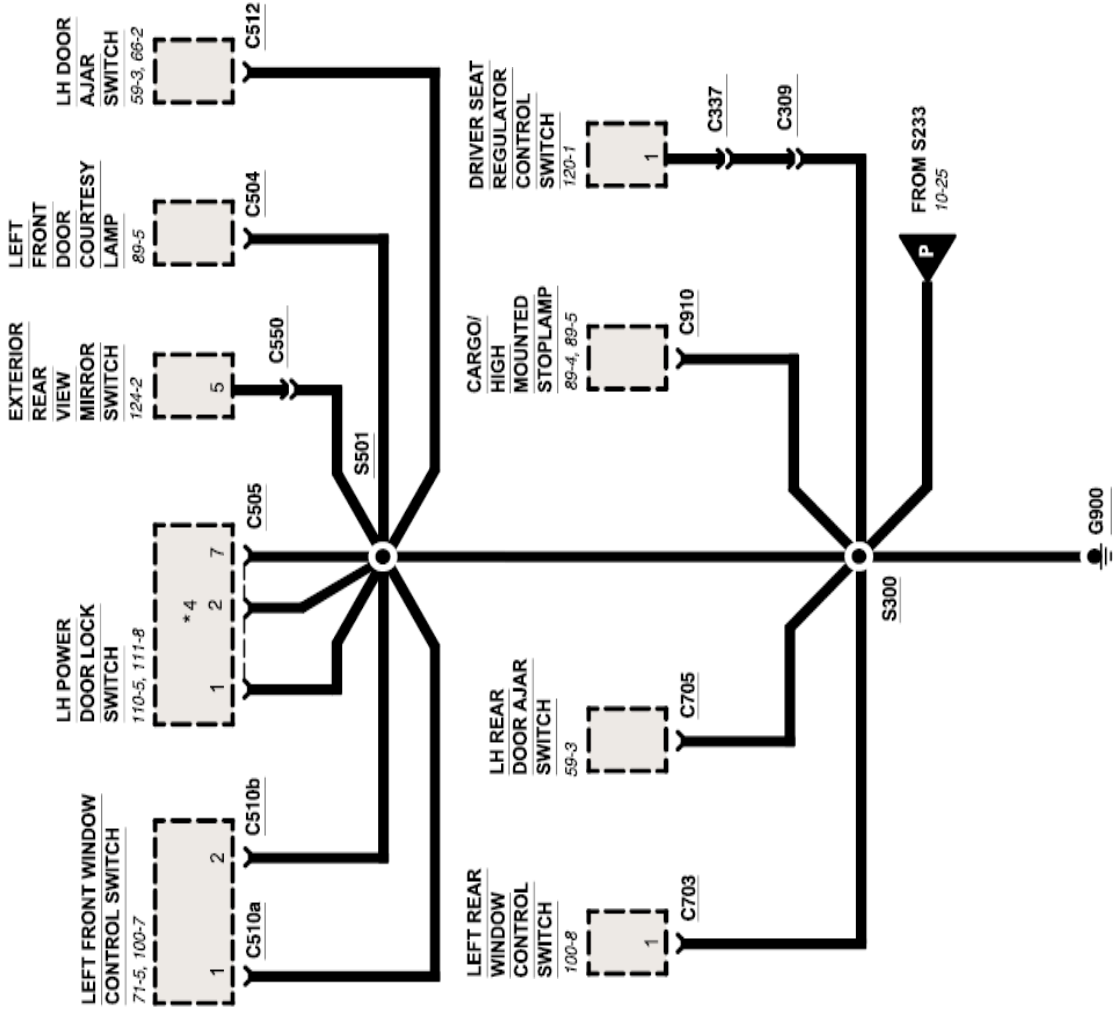
GROUNDS 10-24

2000 EXCURSION, SUPER DUTY SERIES F-250, F-350, F-450, F-550

**PICKUP
CREW CAB**

* WITH RKE

All wires are 57 (BK)
unless otherwise noted.



10-25 GROUNDS

2000 EXCURSION, SUPER DUTY SERIES F-250, F-350, F-450, F-550

All wires are 57 (BK) unless otherwise noted.

PICKUP

