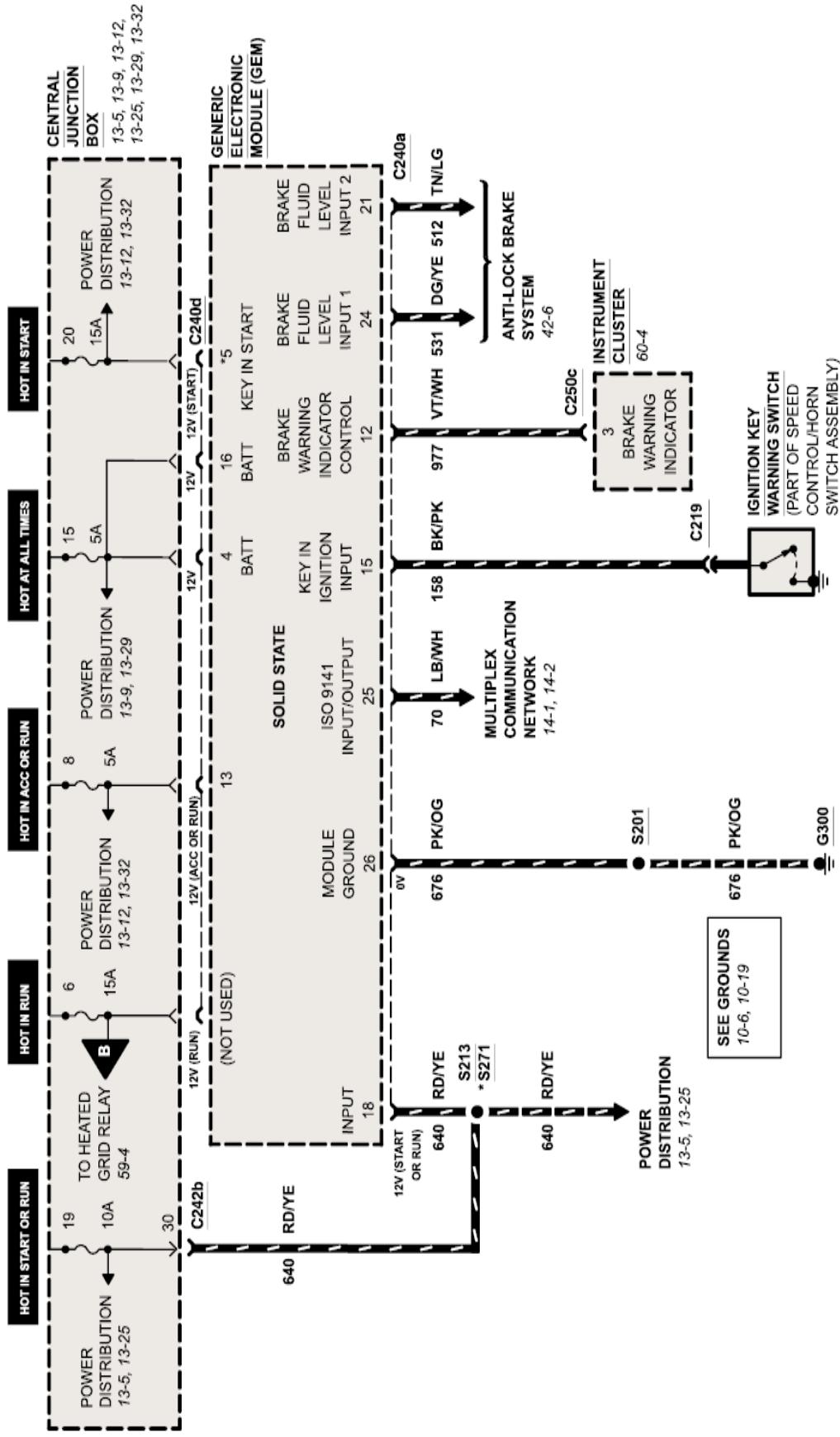


59-1 MULTIFUNCTION ELECTRONIC CONTROL MODULES

2000 EXCURSION, SUPER DUTY SERIES F-250, F-350, F-450, F-550

For diagnostic information, refer to Section 419-10 of the Workshop Manual.

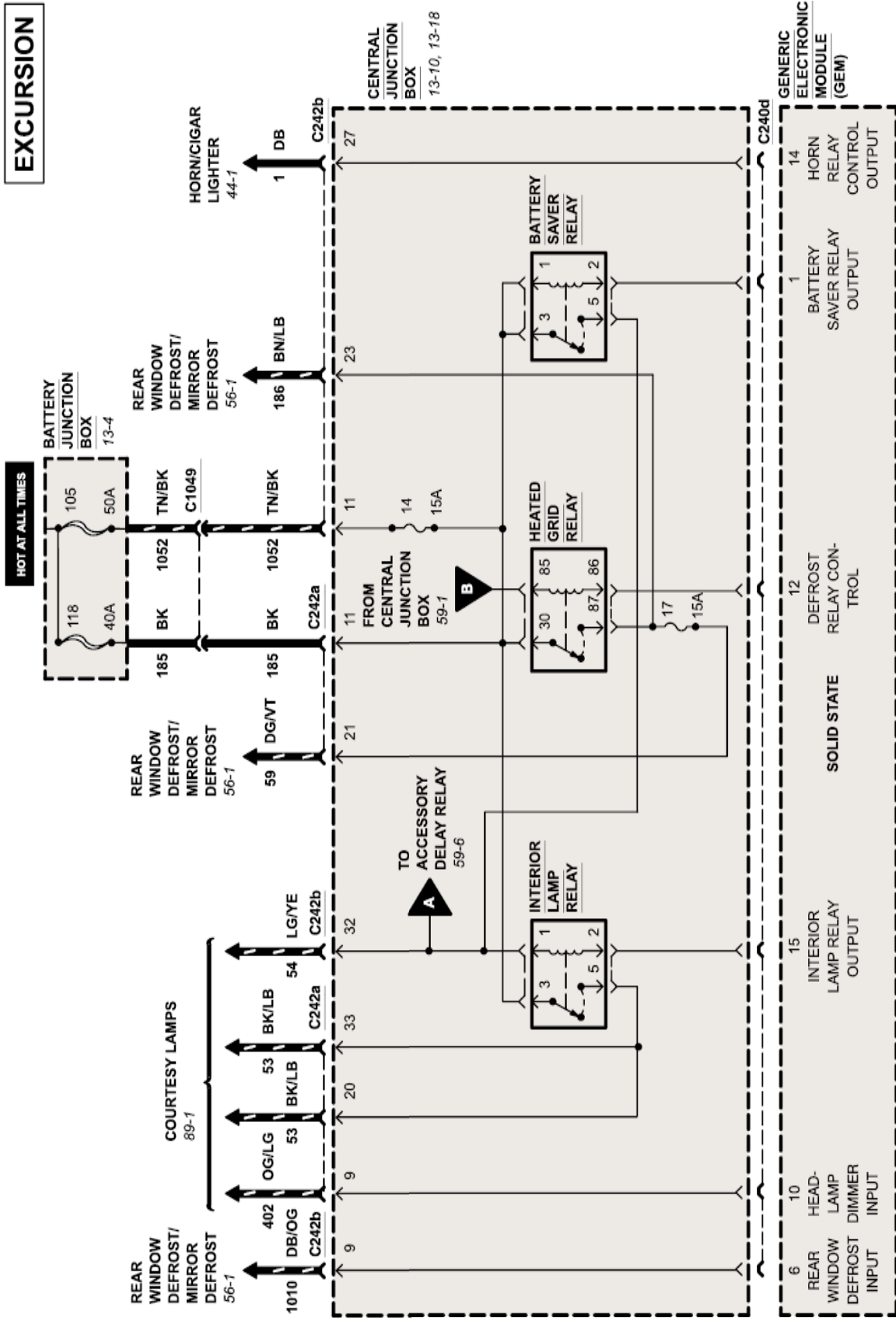
* PICKUP



SEE GROUNDS 10-6, 10-19

MULTIFUNCTION ELECTRONIC CONTROL MODULES 59-4

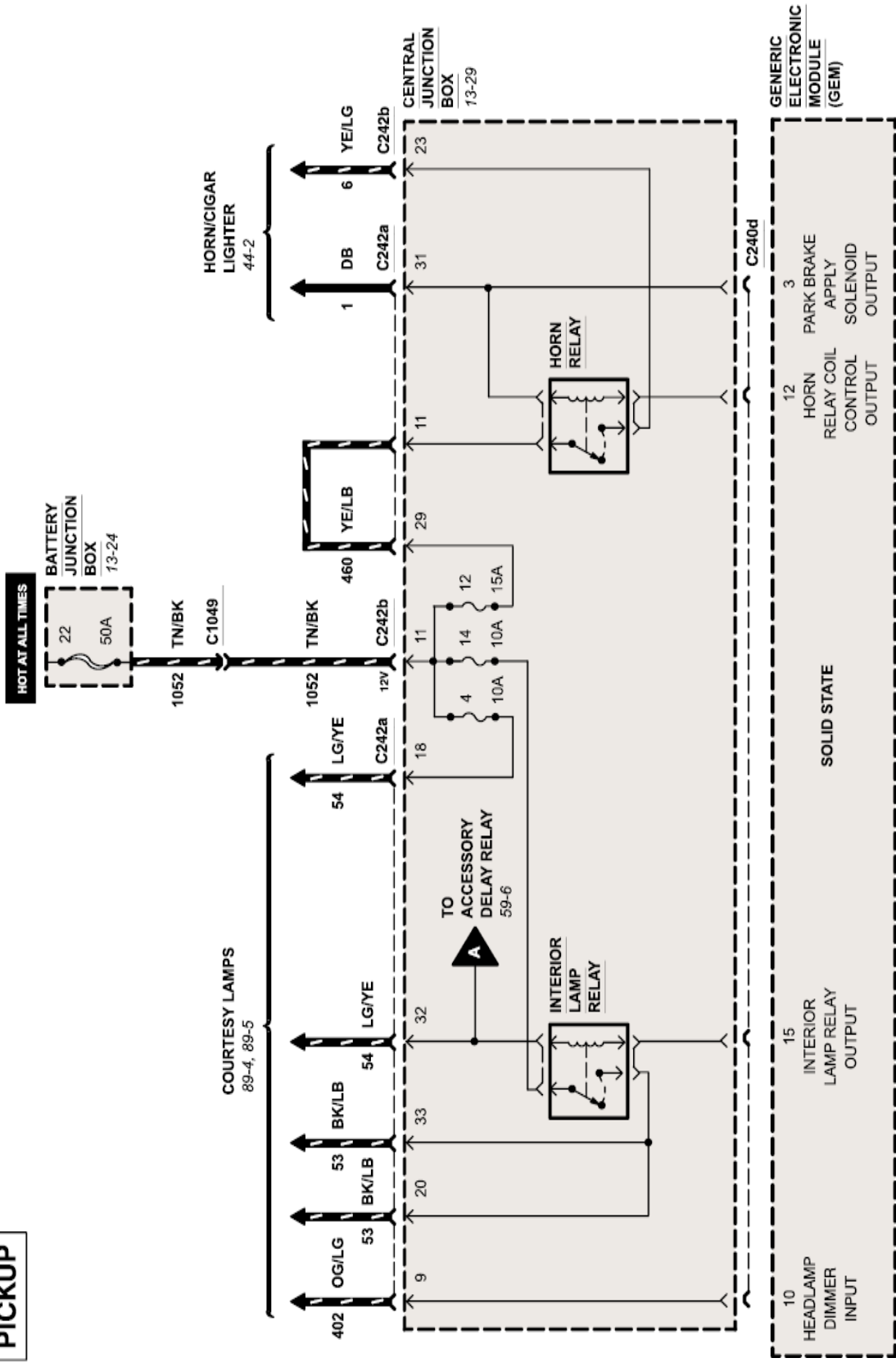
2000 EXCURSION, SUPER DUTY SERIES F-250, F-350, F-450, F-550



59-5 MULTIFUNCTION ELECTRONIC CONTROL MODULES

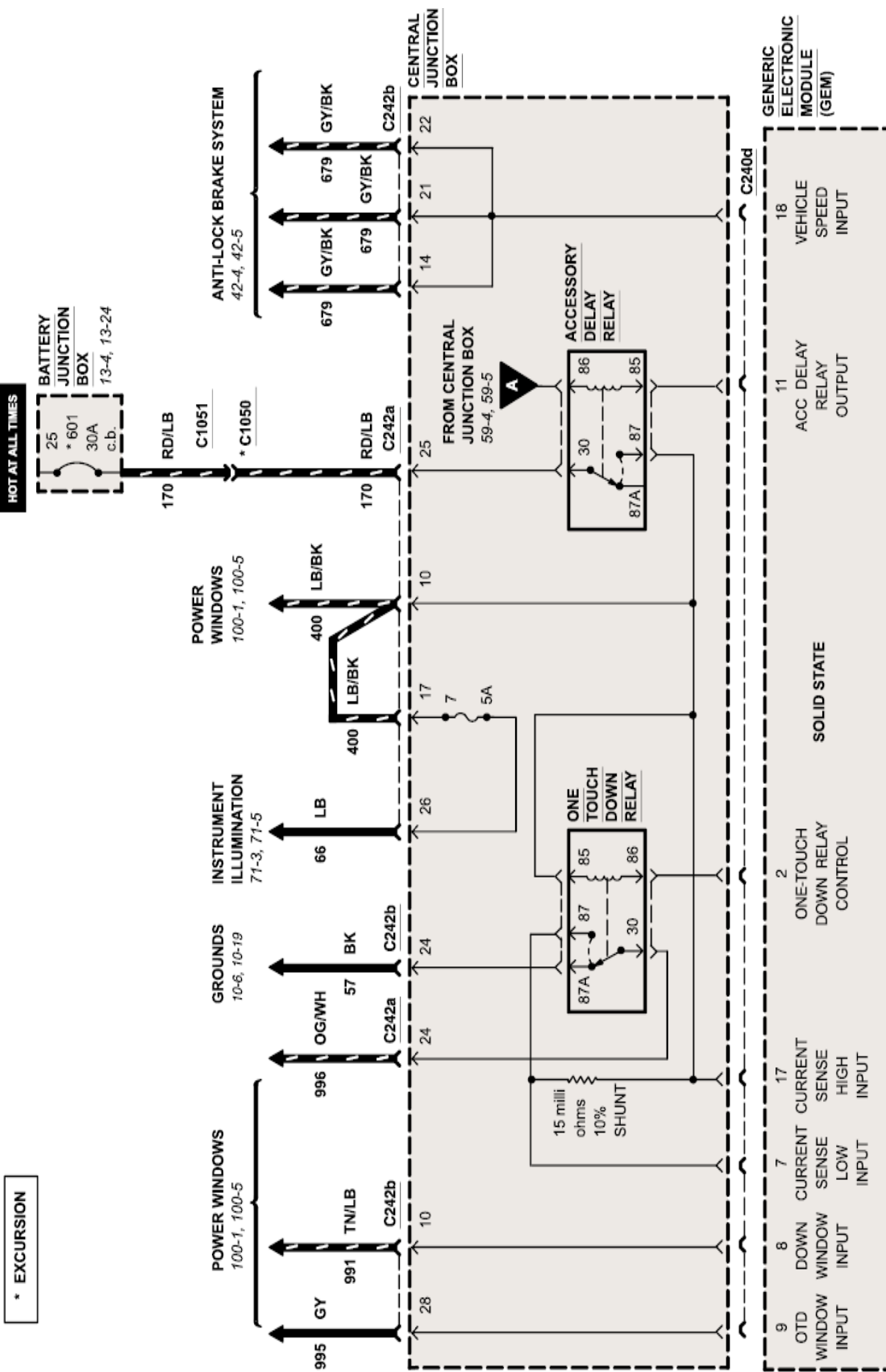
2000 EXCURSION, SUPER DUTY SERIES F-250, F-350, F-450, F-550

PICKUP



MULTIFUNCTION ELECTRONIC CONTROL MODULES 59-6

2000 EXCURSION, SUPER DUTY SERIES F-250, F-350, F-450, F-550



MULTIFUNCTION ELECTRONIC CONTROL MODULES 59-8

2000 EXCURSION, SUPER DUTY SERIES F-250, F-350, F-450, F-550

