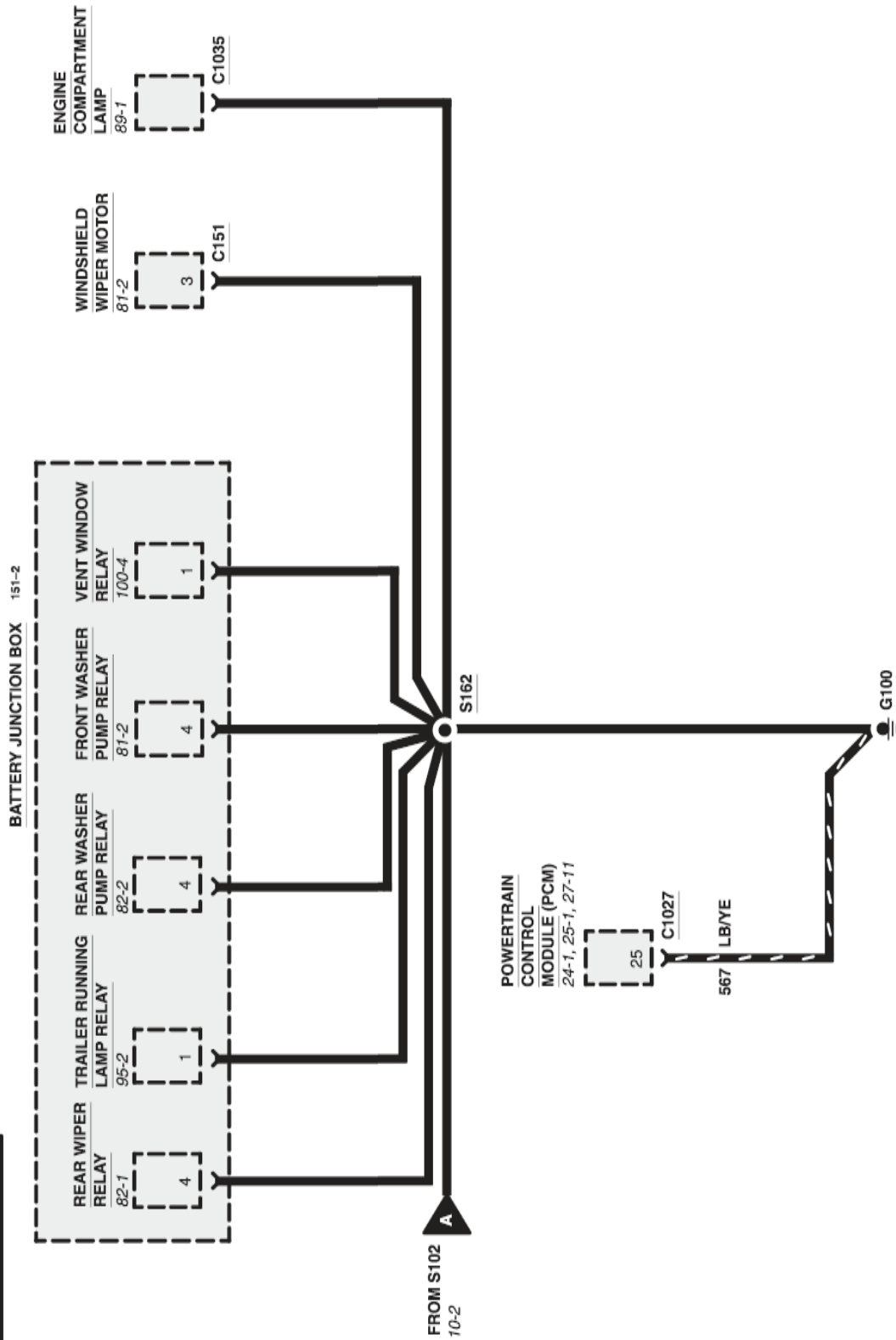


10-1 GROUNDS

2001 EXCURSION, SUPER DUTY SERIES F-250, F-350, F-450, F-550

All wires are 57 (BK) unless otherwise noted.

EXCURSION



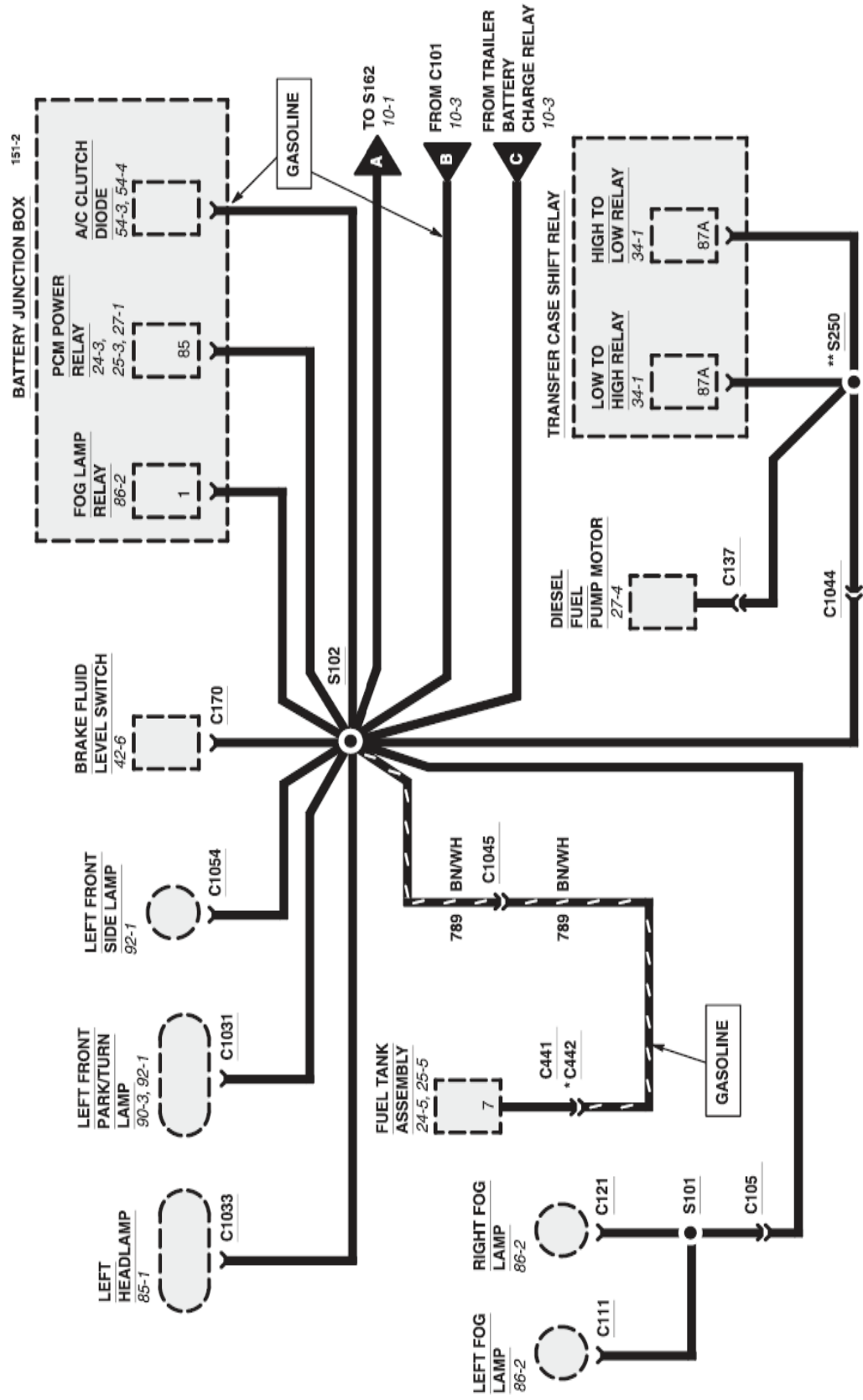
GROUNDING 10-2

2001 EXCURSION, SUPER DUTY SERIES F-250, F-350, F-450, F-550

All wires are 57 (BK) unless otherwise noted.

EXCURSION

* CALIFORNIA
** ESOF

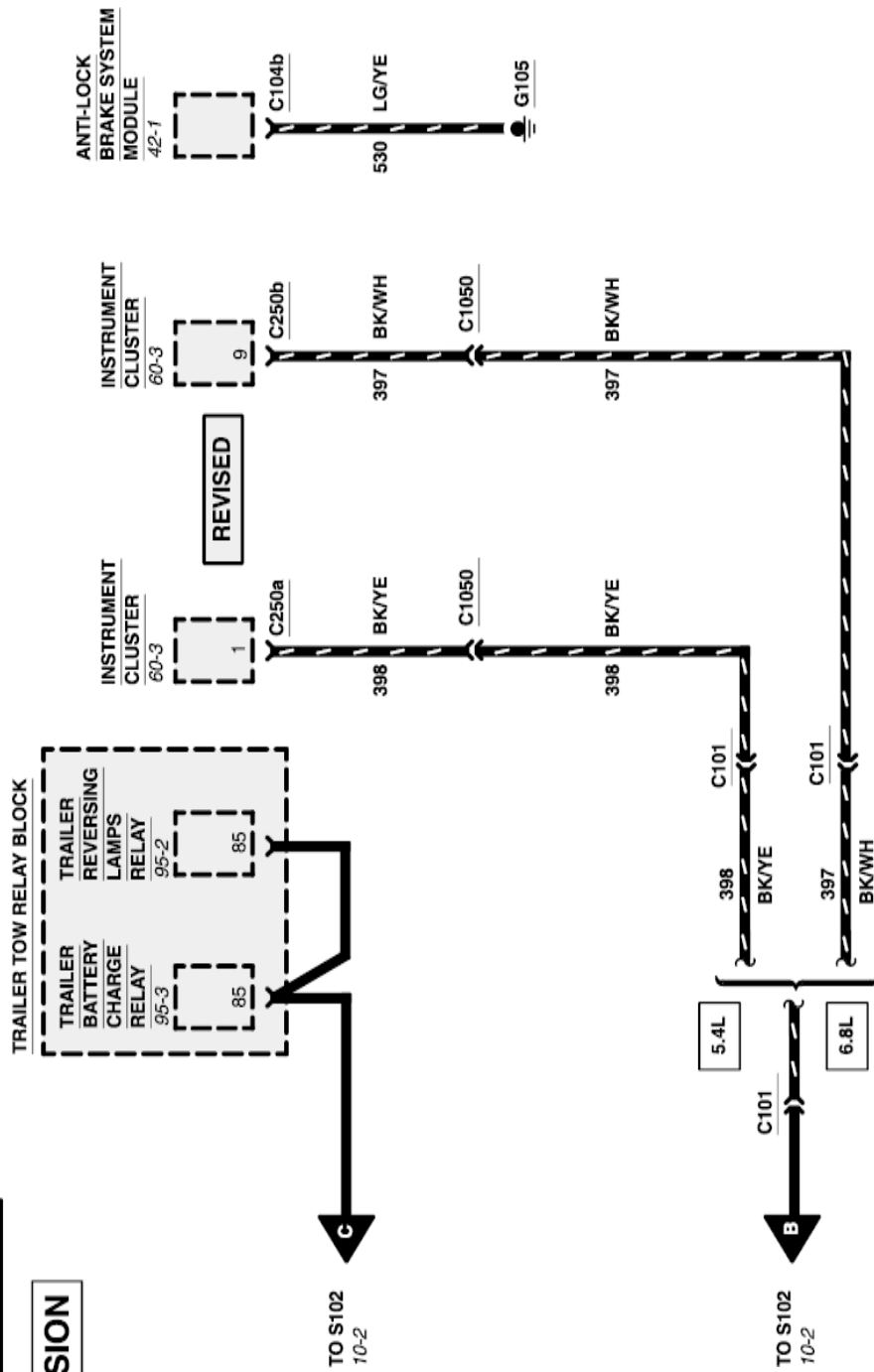


10-3 GROUNDS

2001 EXCURSION, SUPER DUTY SERIES F-250, F-350, F-450, F-550

All wires are 57 (BK) unless otherwise noted.

EXCURSION

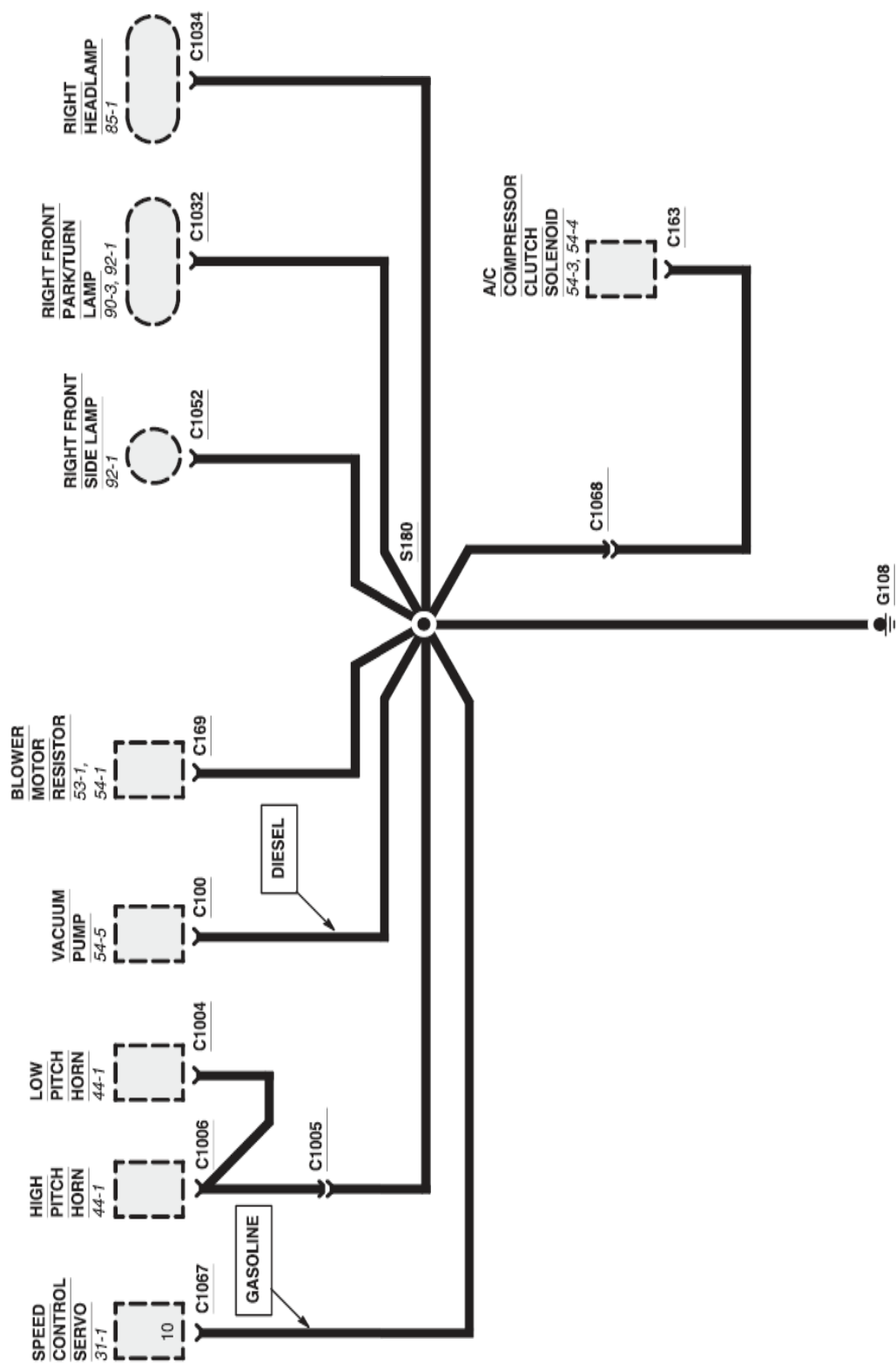


GROUNDS 10-4

2001 EXCURSION, SUPER DUTY SERIES F-250, F-350, F-450, F-550

EXCURSION

All wires are 57 (BK) unless otherwise noted.

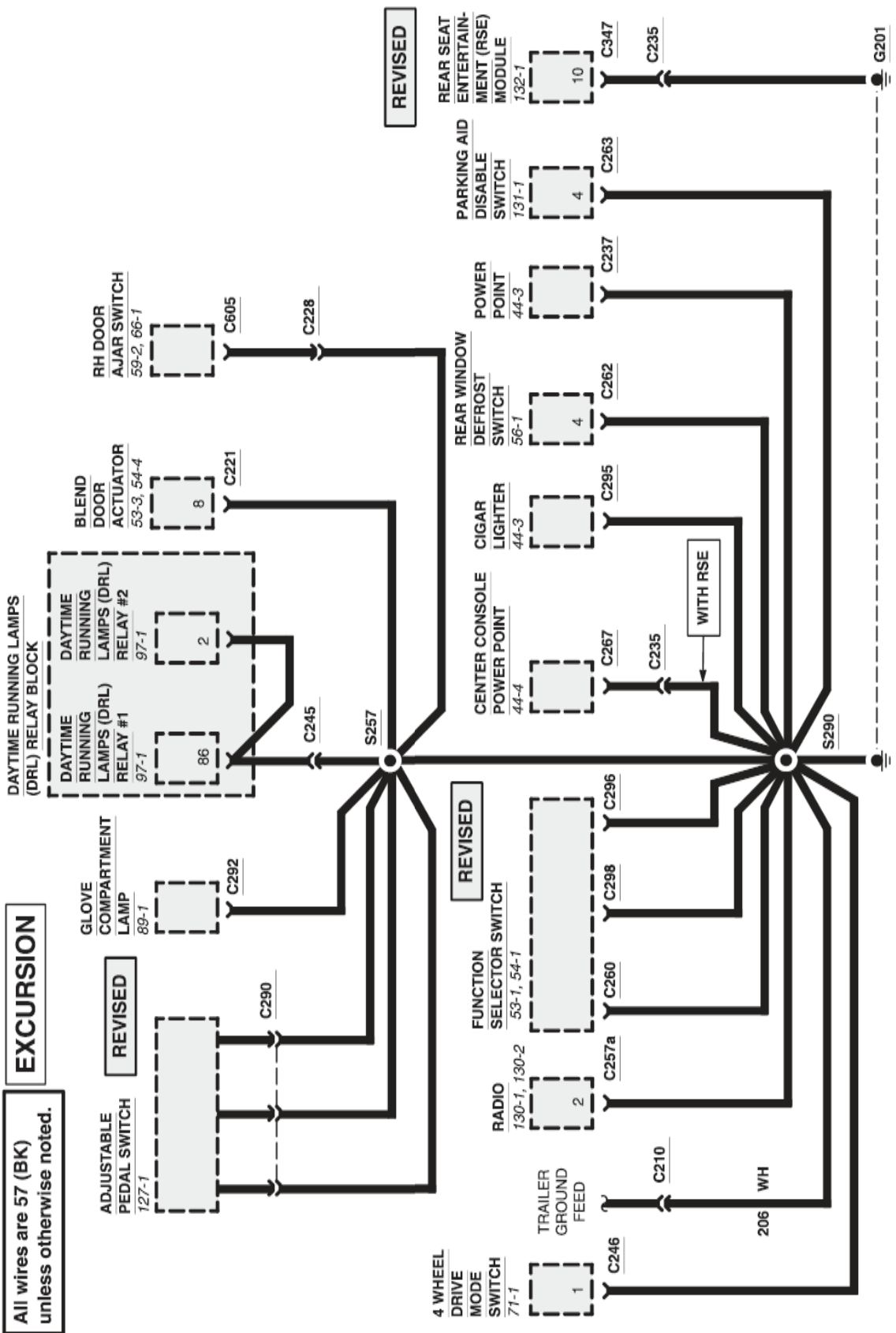


10-7 GROUNDS

2001 EXCURSION, SUPER DUTY SERIES F-250, F-350, F-450, F-550

All wires are 57 (BK) unless otherwise noted.

EXCURSION



REVISED

REVISED

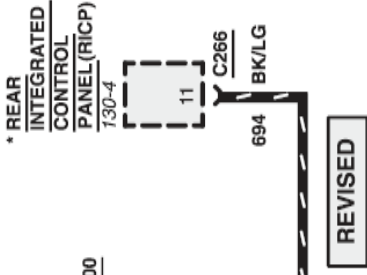
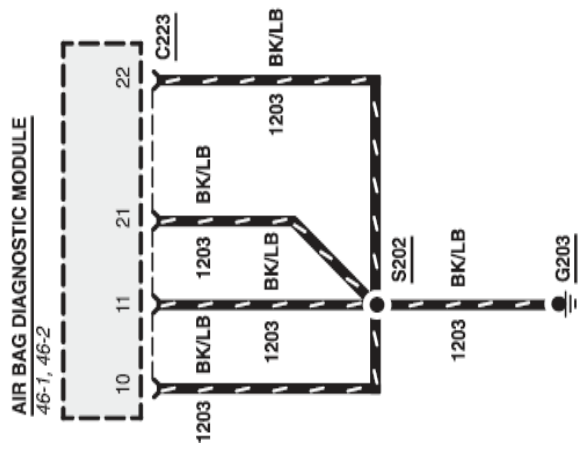
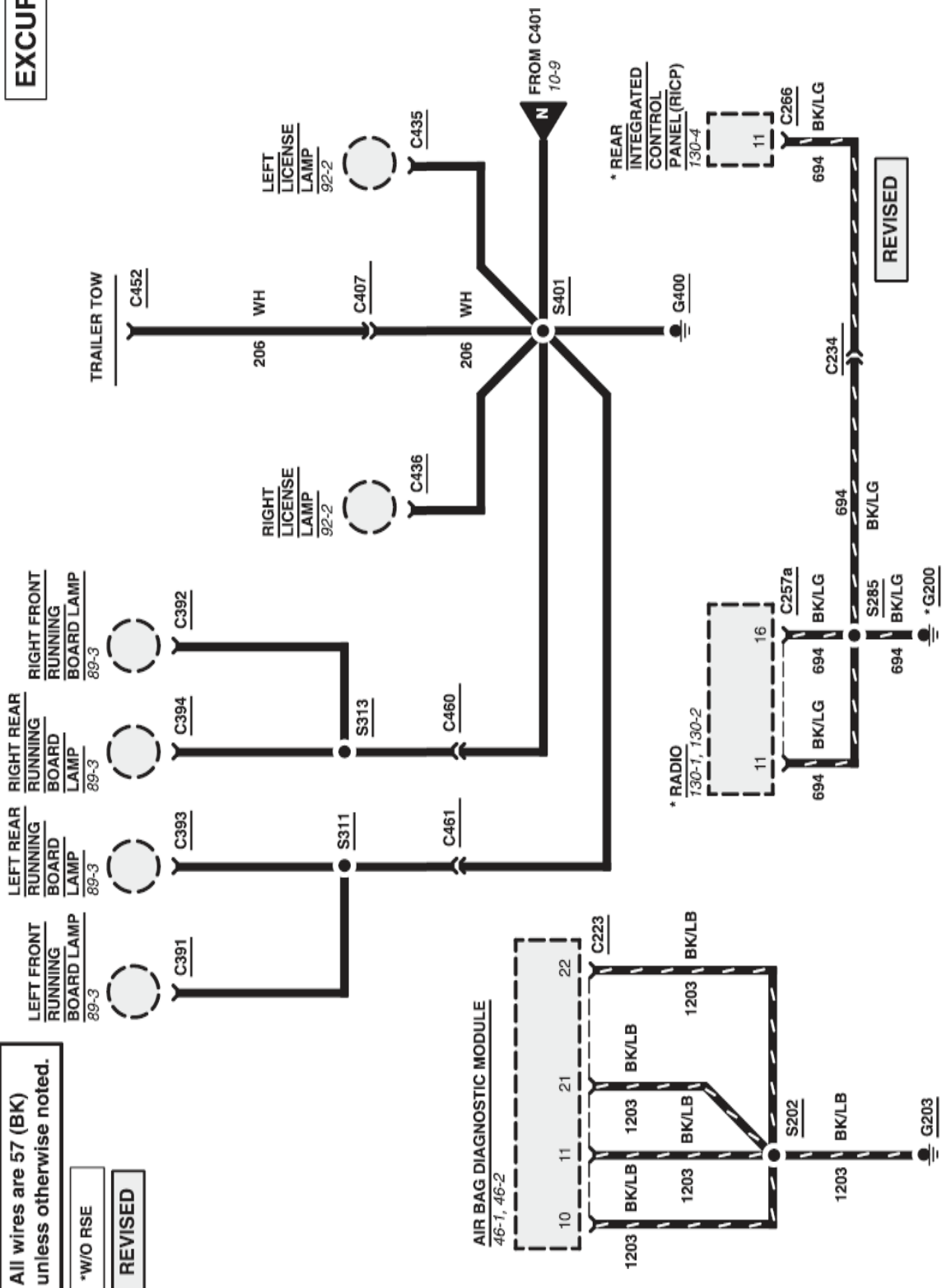
GROUNDS 10-8

2001 EXCURSION, SUPER DUTY SERIES F-250, F-350, F-450, F-550

All wires are 57 (BK) unless otherwise noted.

*W/O RSE
REVISED

EXCURSION



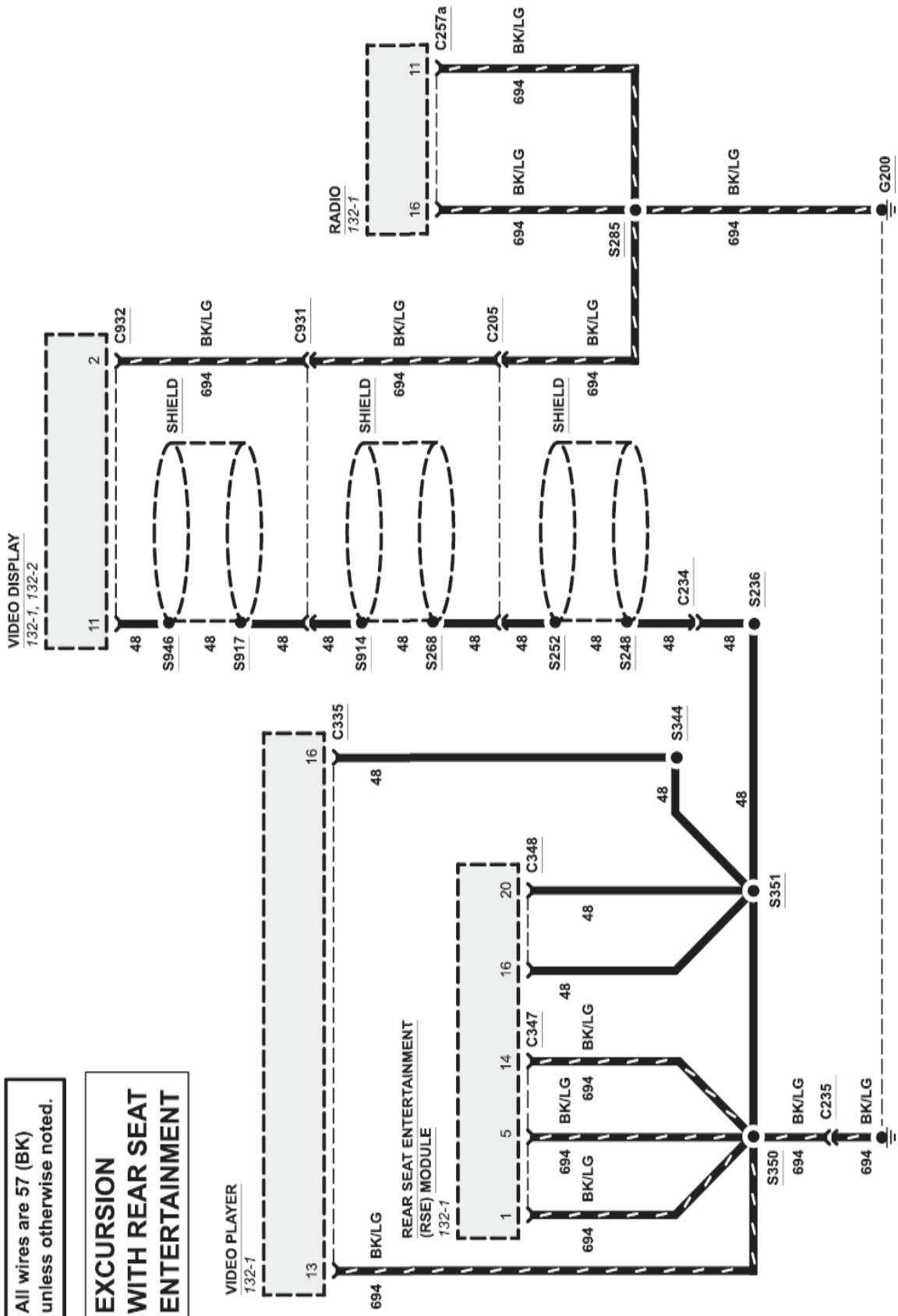
REVISED

10-9 GROUNDS

2001 EXCURSION, SUPER DUTY SERIES F-250, F-350, F-450, F-550

All wires are 57 (BK) unless otherwise noted.

EXCURSION WITH REAR SEAT ENTERTAINMENT

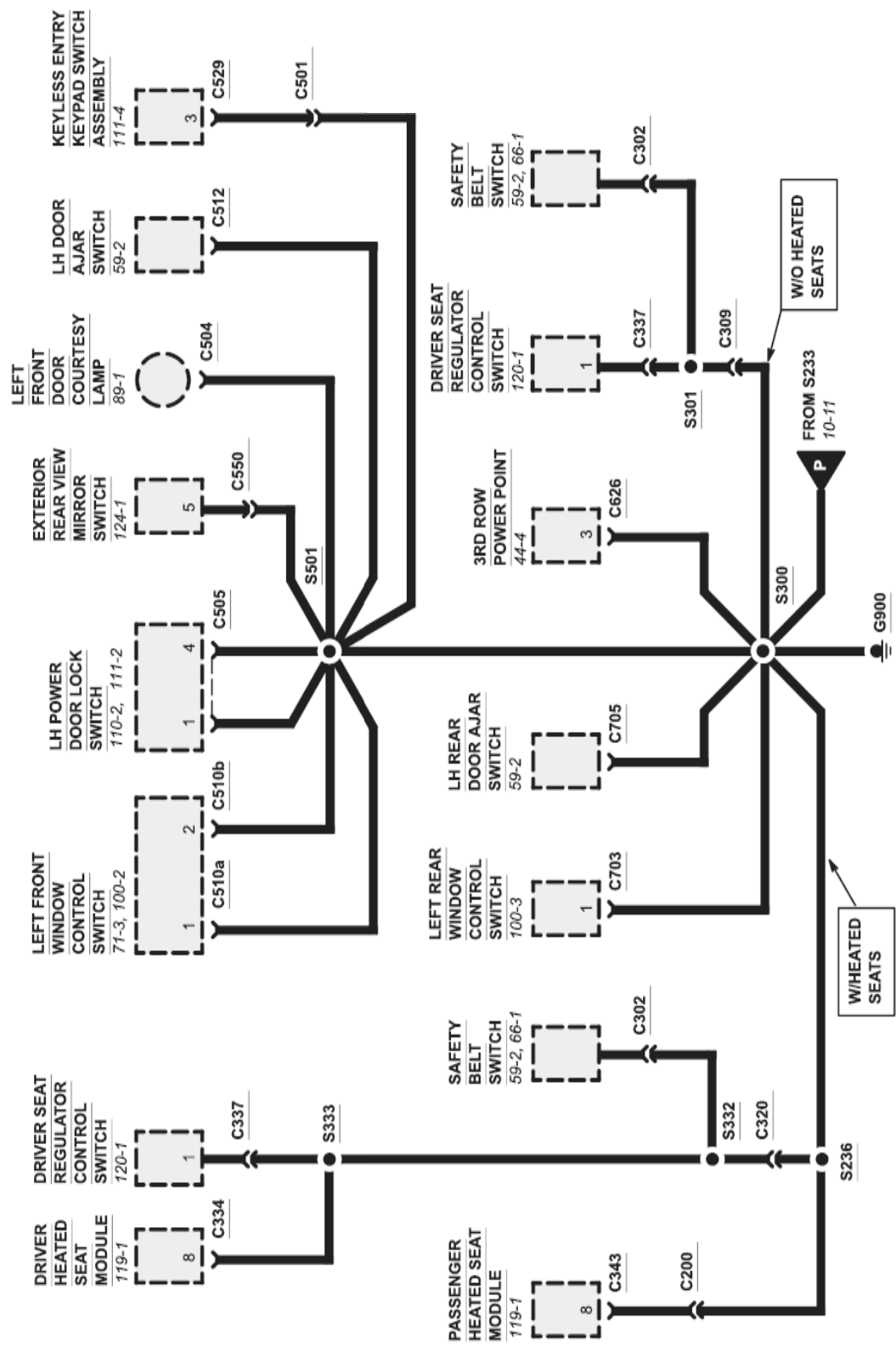


GROUNDS 10-10

2001 EXCURSION, SUPER DUTY SERIES F-250, F-350, F-450, F-550

EXCURSION

All wires are 57 (BK) unless otherwise noted.

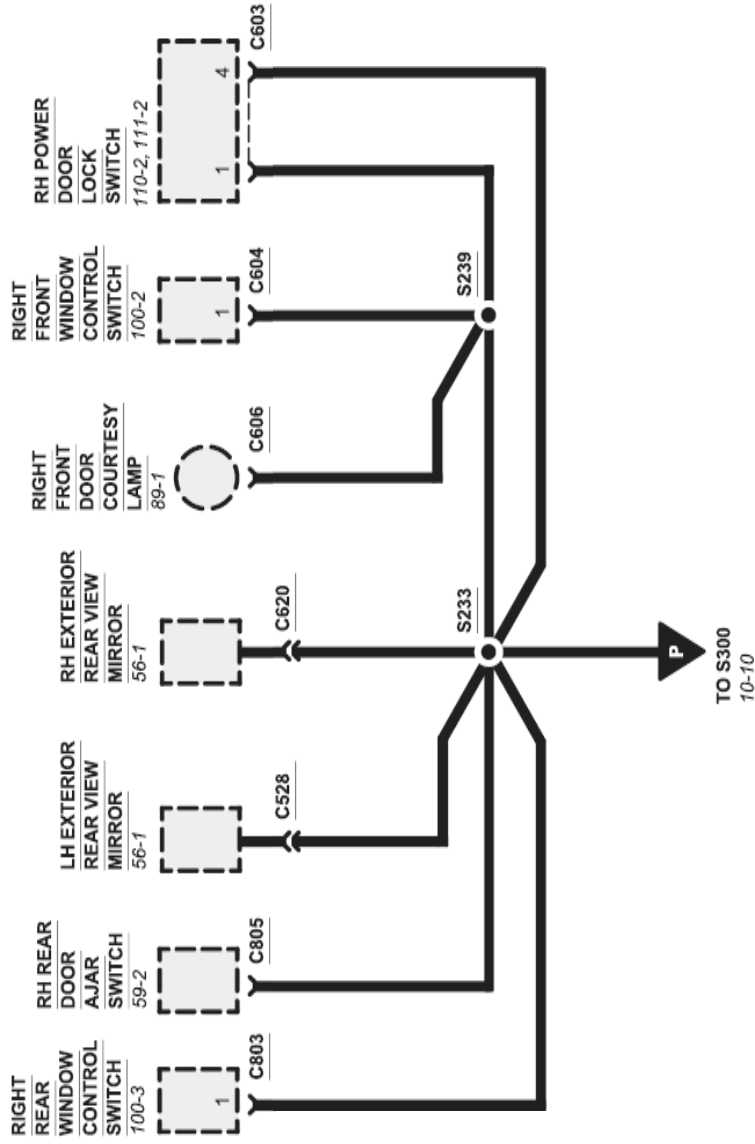


10-11 GROUNDS

2001 EXCURSION, SUPER DUTY SERIES F-250, F-350, F-450, F-550

All wires are 57 (BK) unless otherwise noted.

EXCURSION

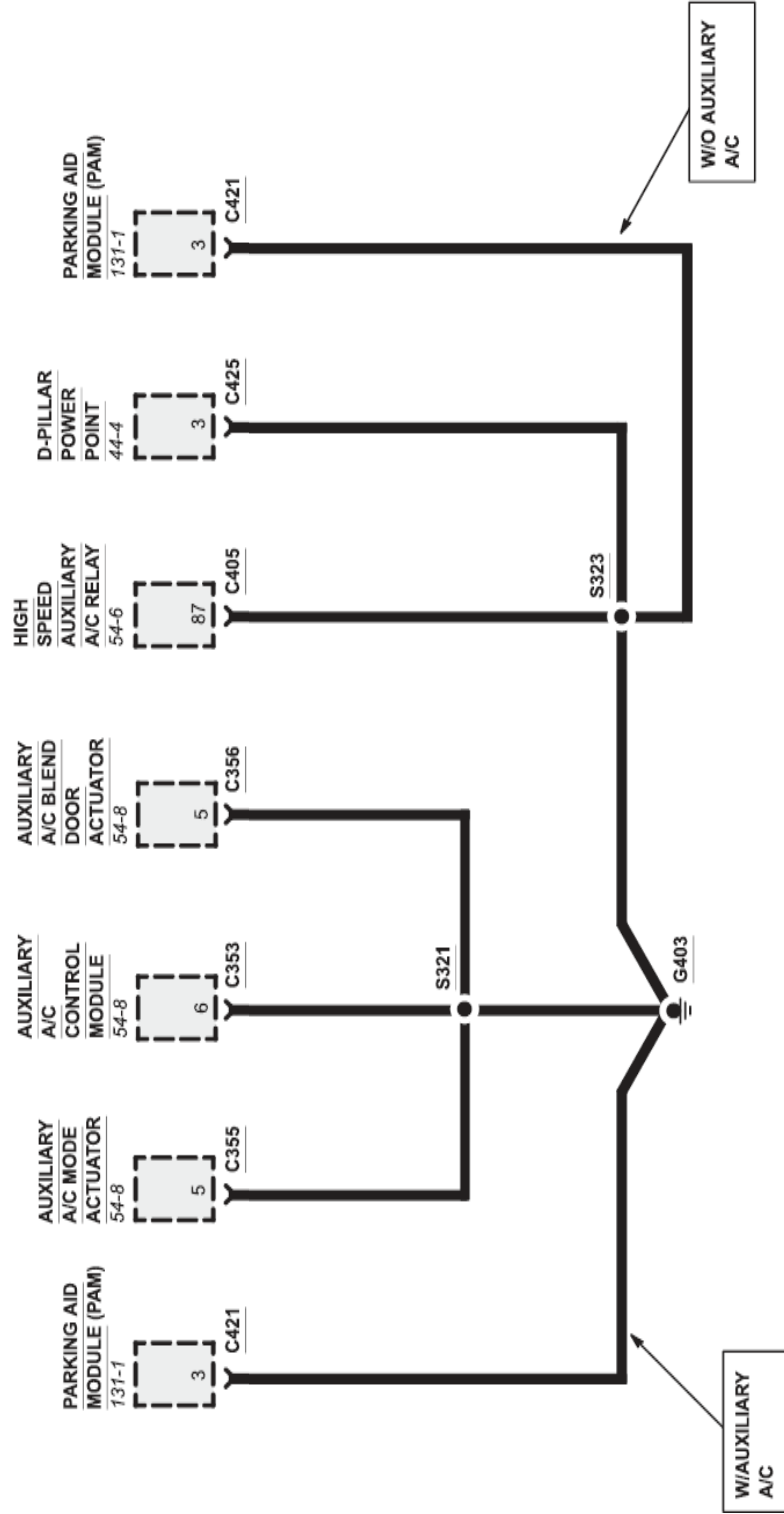


GROUNDS 10-12

2001 EXCURSION, SUPER DUTY SERIES F-250, F-350, F-450, F-550

All wires are 57 (BK) unless otherwise noted.

EXCURSION

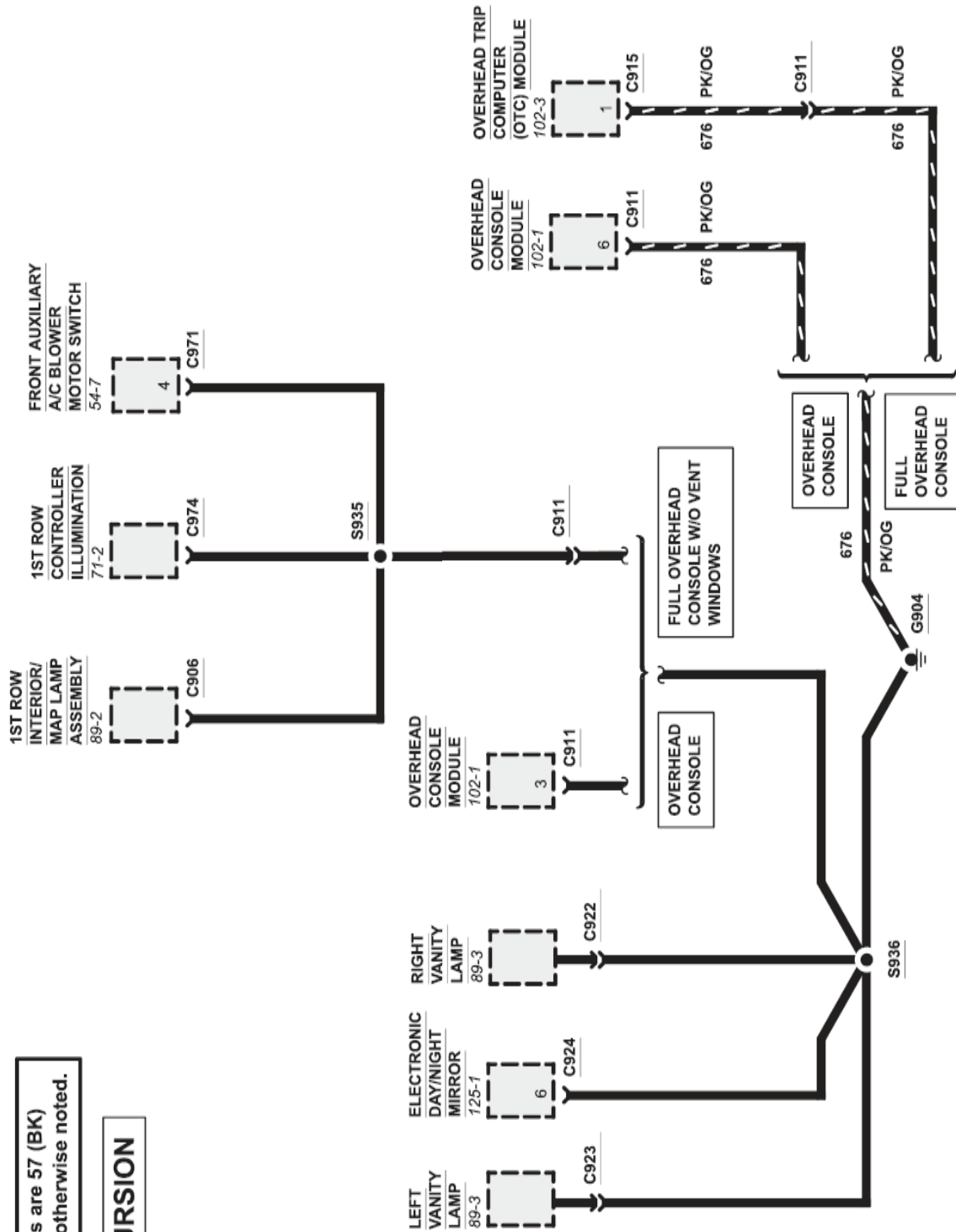


10-13 GROUNDS

2001 EXCURSION, SUPER DUTY SERIES F-250, F-350, F-450, F-550

All wires are 57 (BK) unless otherwise noted.

EXCURSION

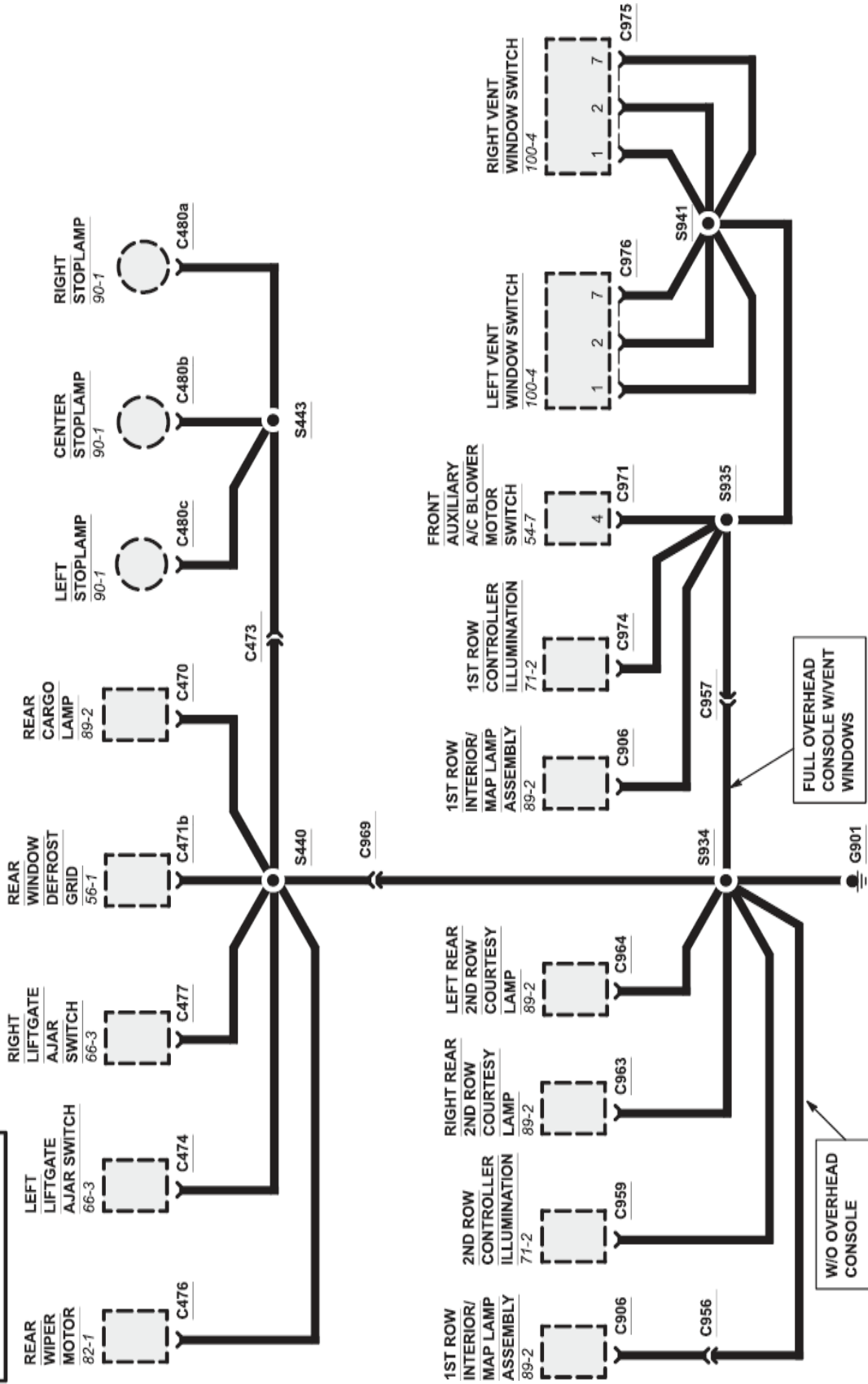


GROUNDS 10-14

2001 EXCURSION, SUPER DUTY SERIES F-250, F-350, F-450, F-550

EXCURSION

All wires are 57 (BK) unless otherwise noted.

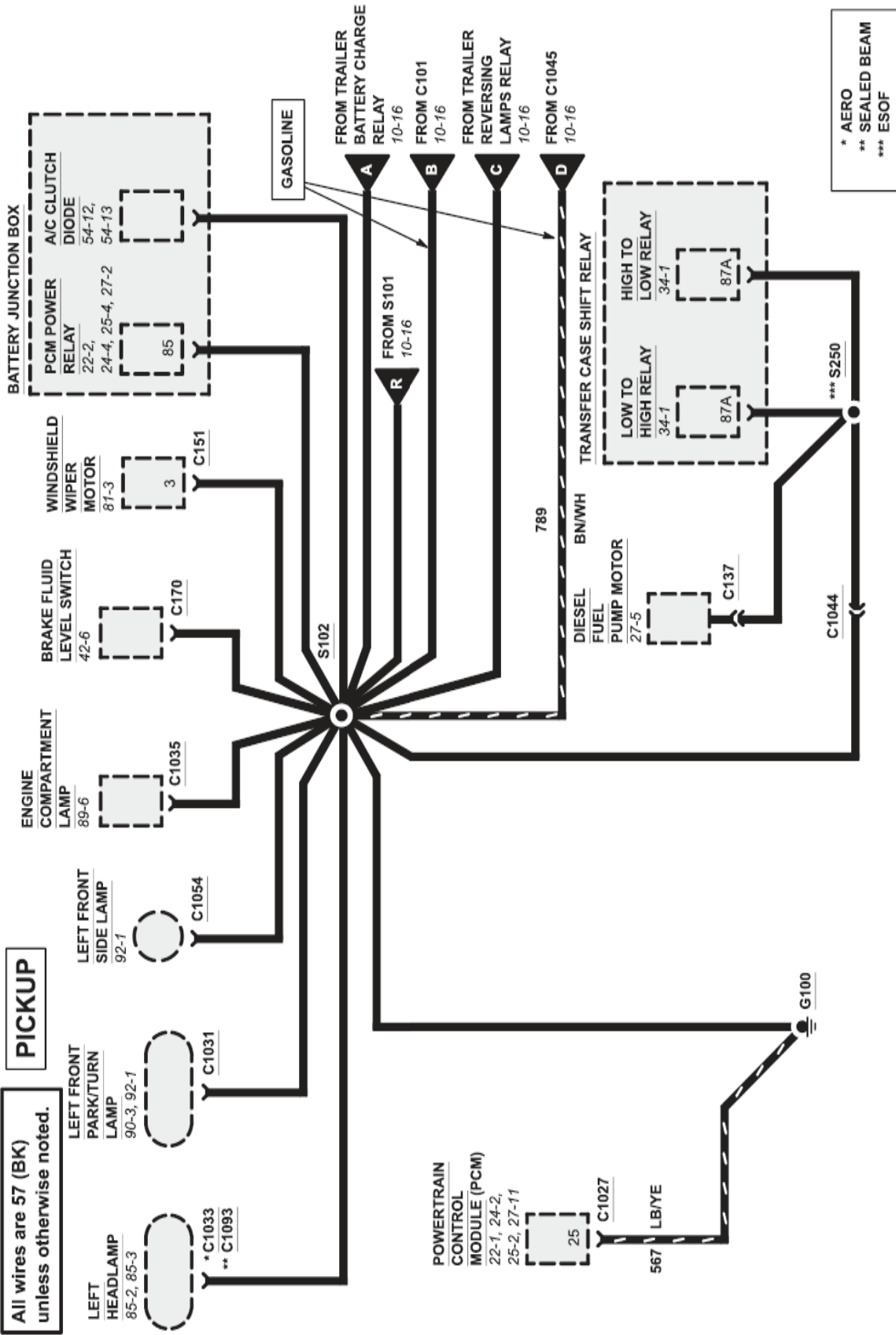


10-15 GROUNDS

2001 EXCURSION, SUPER DUTY SERIES F-250, F-350, F-450, F-550

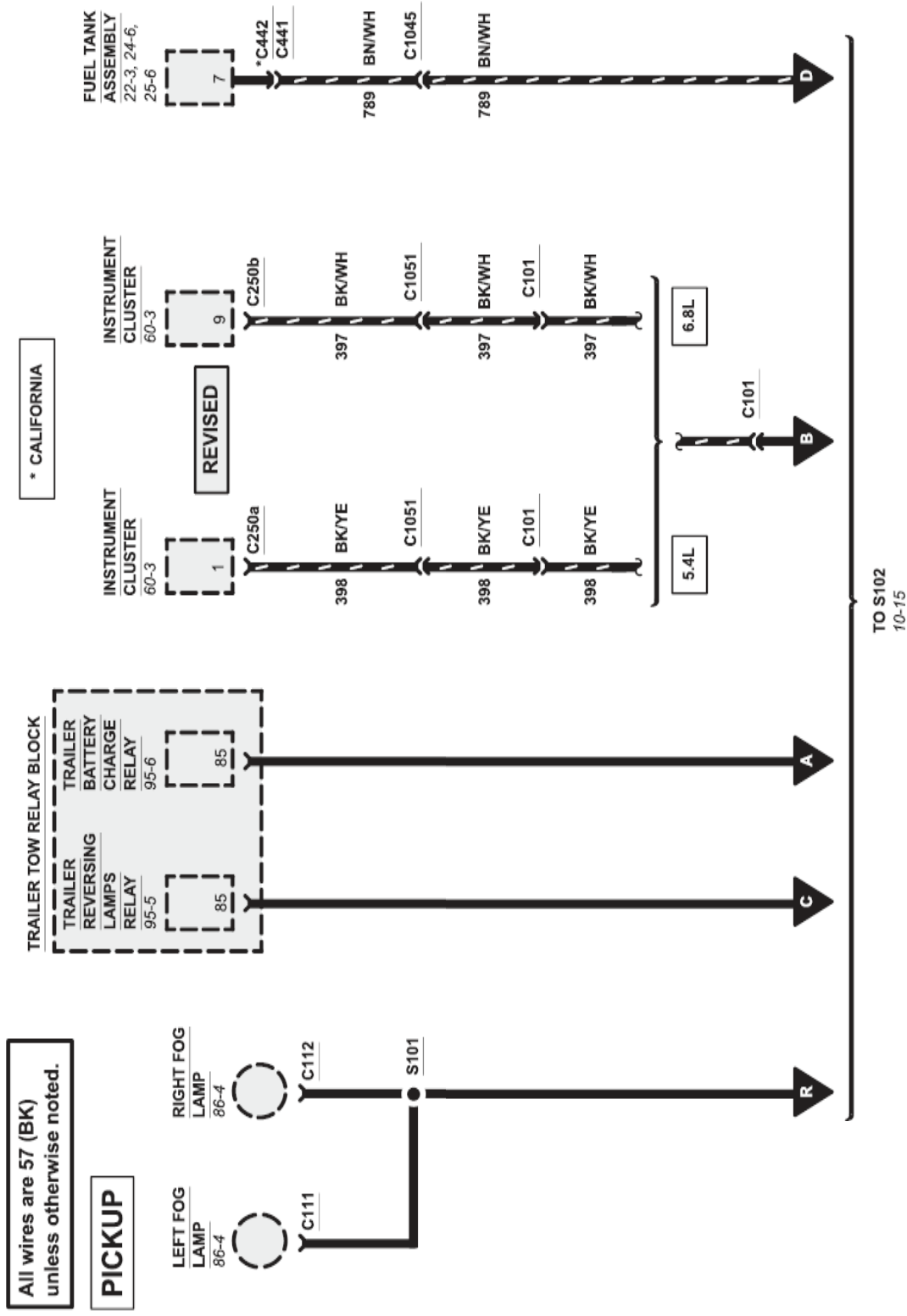
All wires are 57 (BK) unless otherwise noted.

PICKUP



GROUNDING 10-16

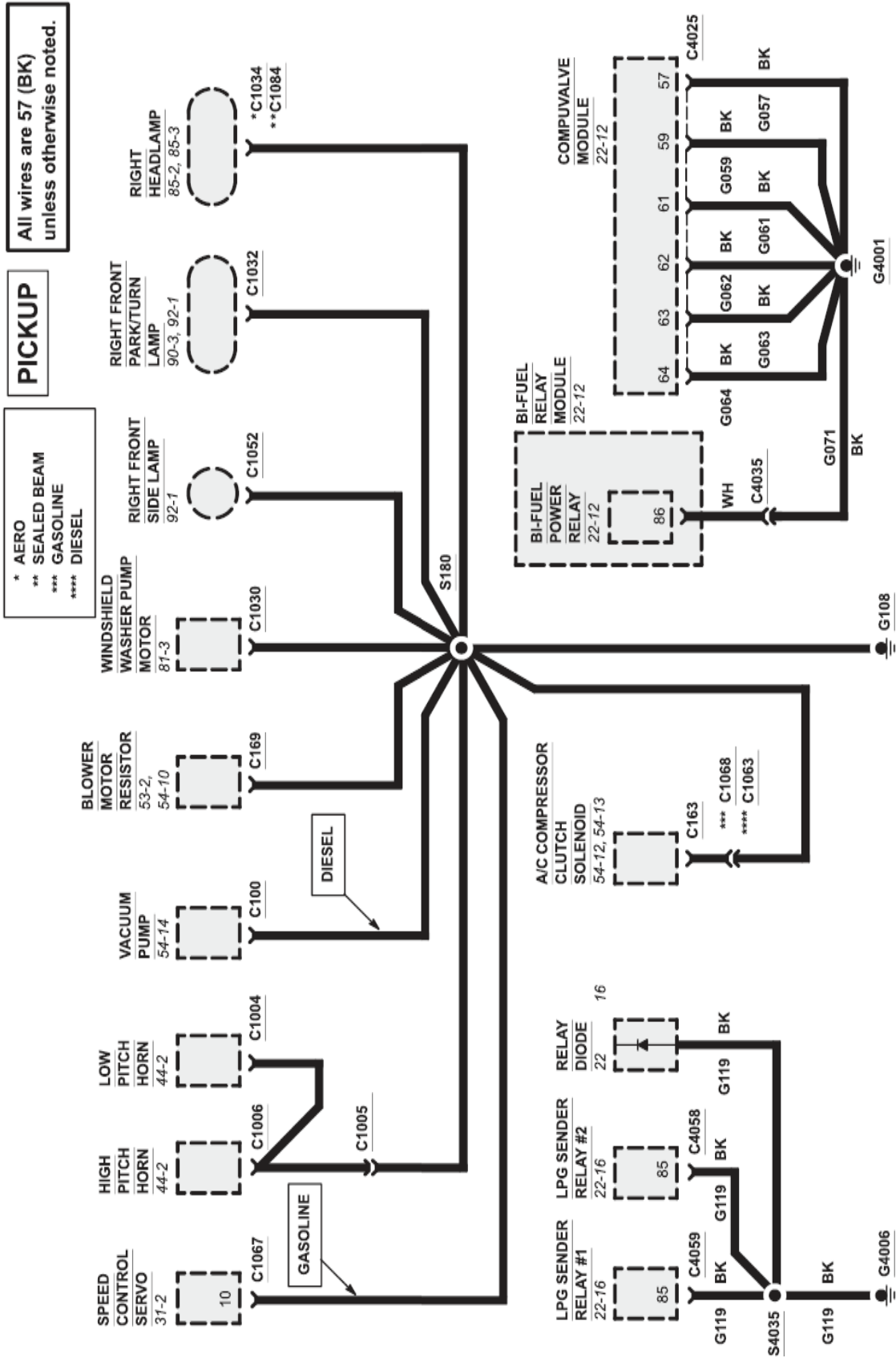
2001 EXCURSION, SUPER DUTY SERIES F-250, F-350, F-450, F-550



TO S102 10-15

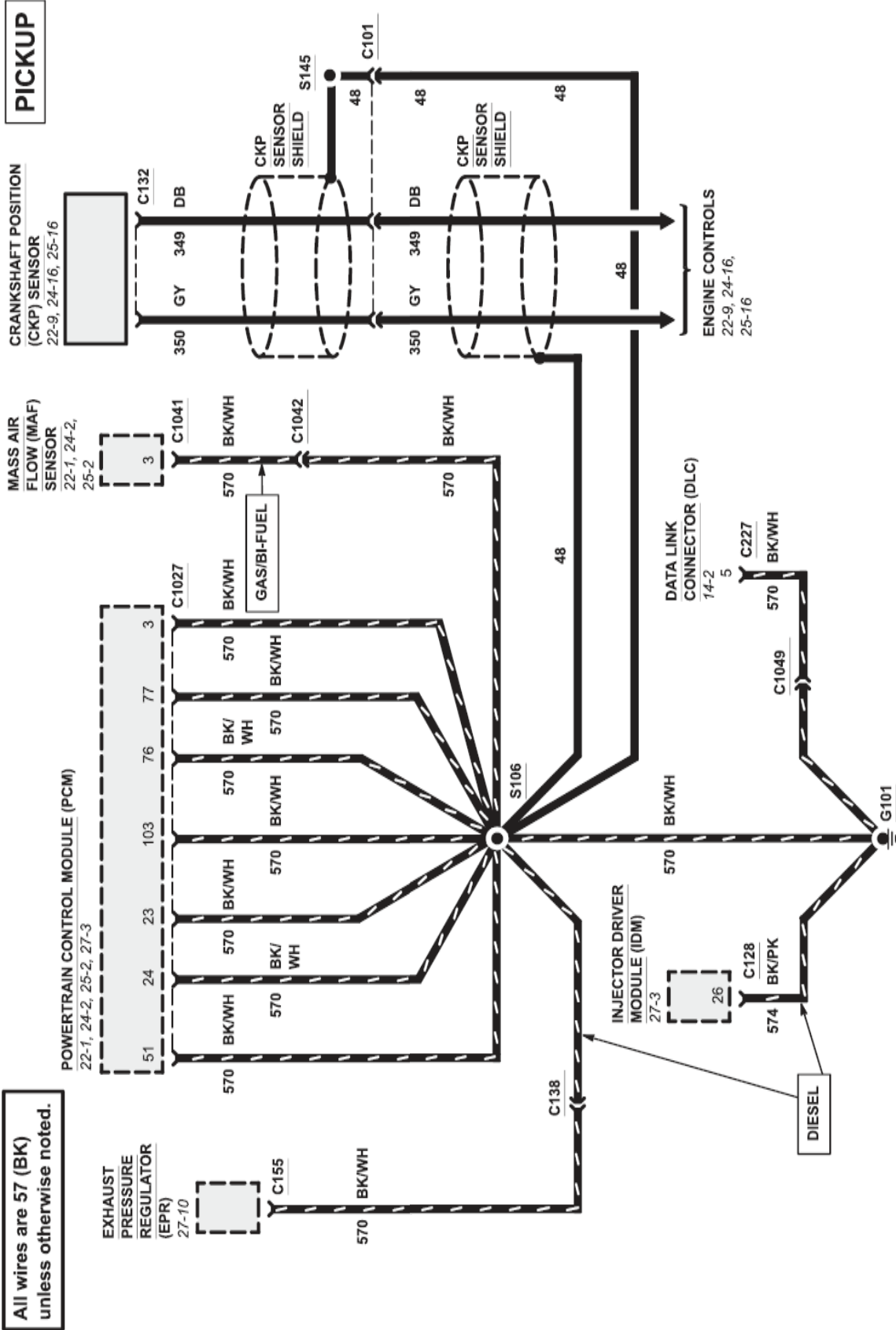
10-17 GROUNDS

2001 EXCURSION, SUPER DUTY SERIES F-250, F-350, F-450, F-550



GROUNDING 10-18

2001 EXCURSION, SUPER DUTY SERIES F-250, F-350, F-450, F-550



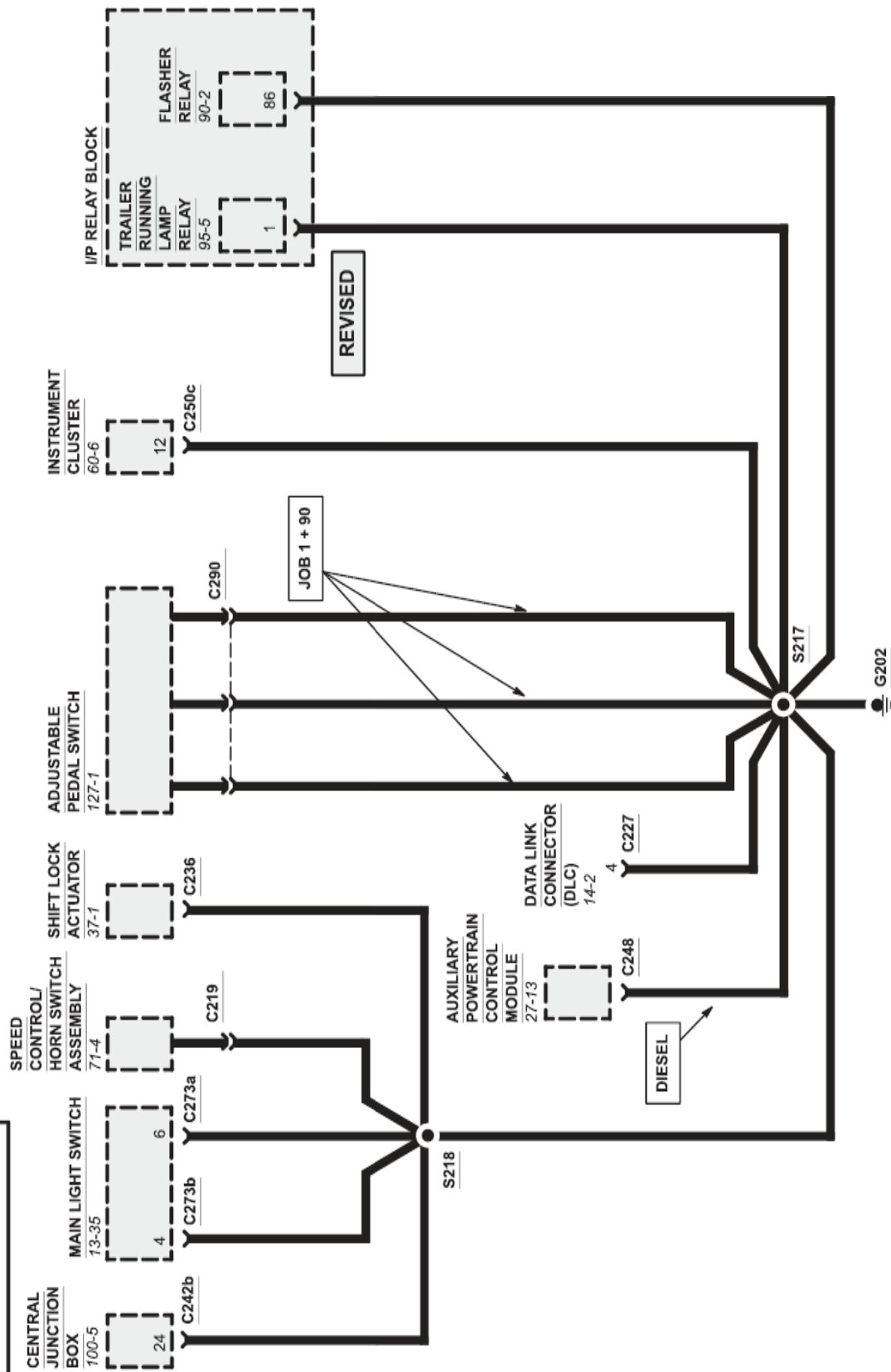
All wires are 57 (BK) unless otherwise noted.

GROUNDS 10-20

2001 EXCURSION, SUPER DUTY SERIES F-250, F-350, F-450, F-550

All wires are 57 (BK) unless otherwise noted.

REVISÉD PICKUP



10-25 GROUNDS

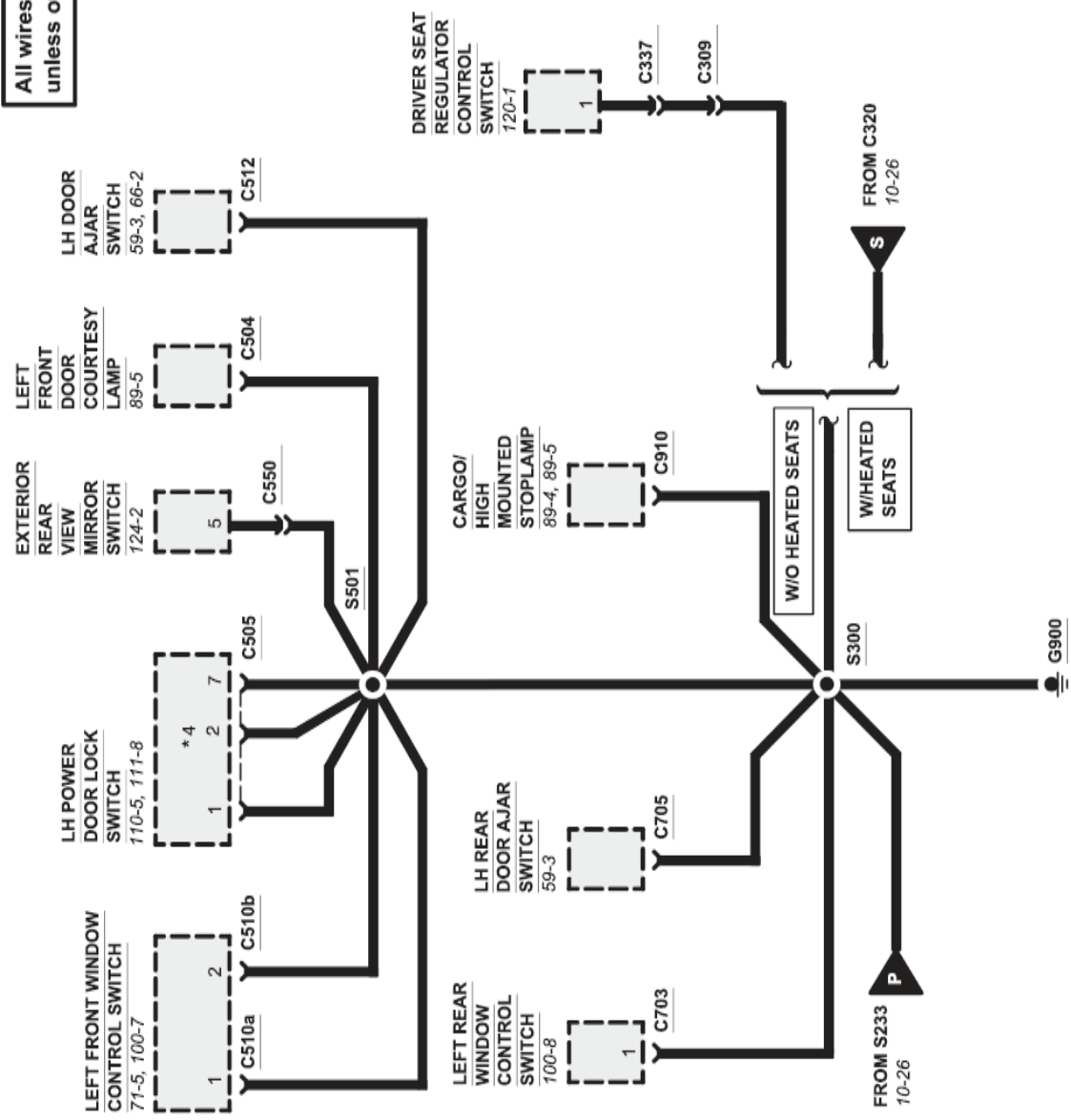
2001 EXCURSION, SUPER DUTY SERIES F-250, F-350, F-450, F-550

**PICKUP
CREW CAB**

* WIRKE

REVISED

All wires are 57 (BK)
unless otherwise noted.



10-27 GROUNDS

2001 EXCURSION, SUPER DUTY SERIES -250, -350, -450, -550

All wires are 57 (BK) unless otherwise noted.

REVISED

PICKUP

