

111-1 REMOTE KEYLESS ENTRY (RKE)

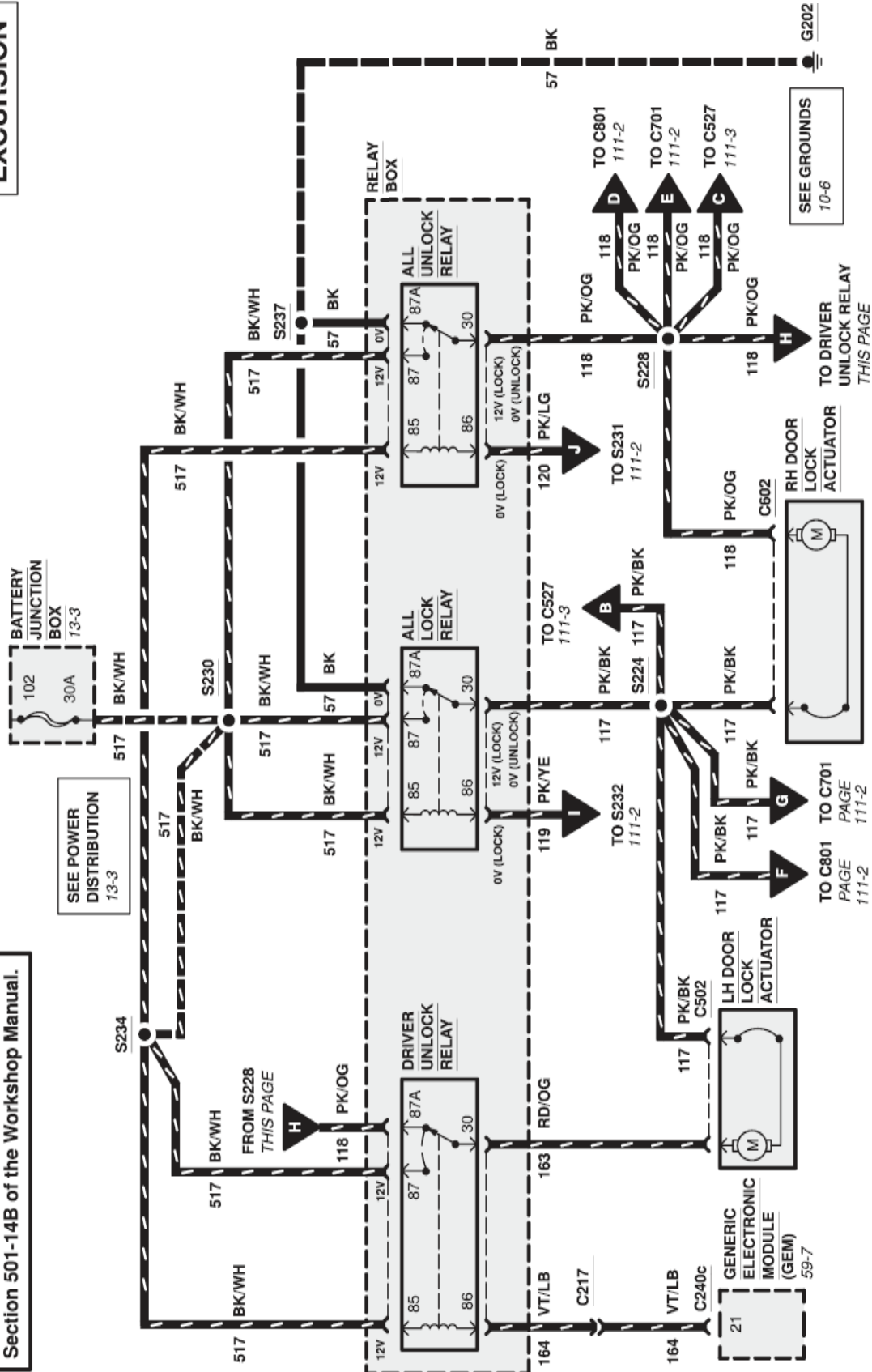
2001 EXCURSION, SUPER DUTY SERIES F-250, F-350, F-450, F-550

For diagnostic information, refer to Section 501-14B of the Workshop Manual.

HOT AT ALL TIMES

SEE POWER DISTRIBUTION 13-3

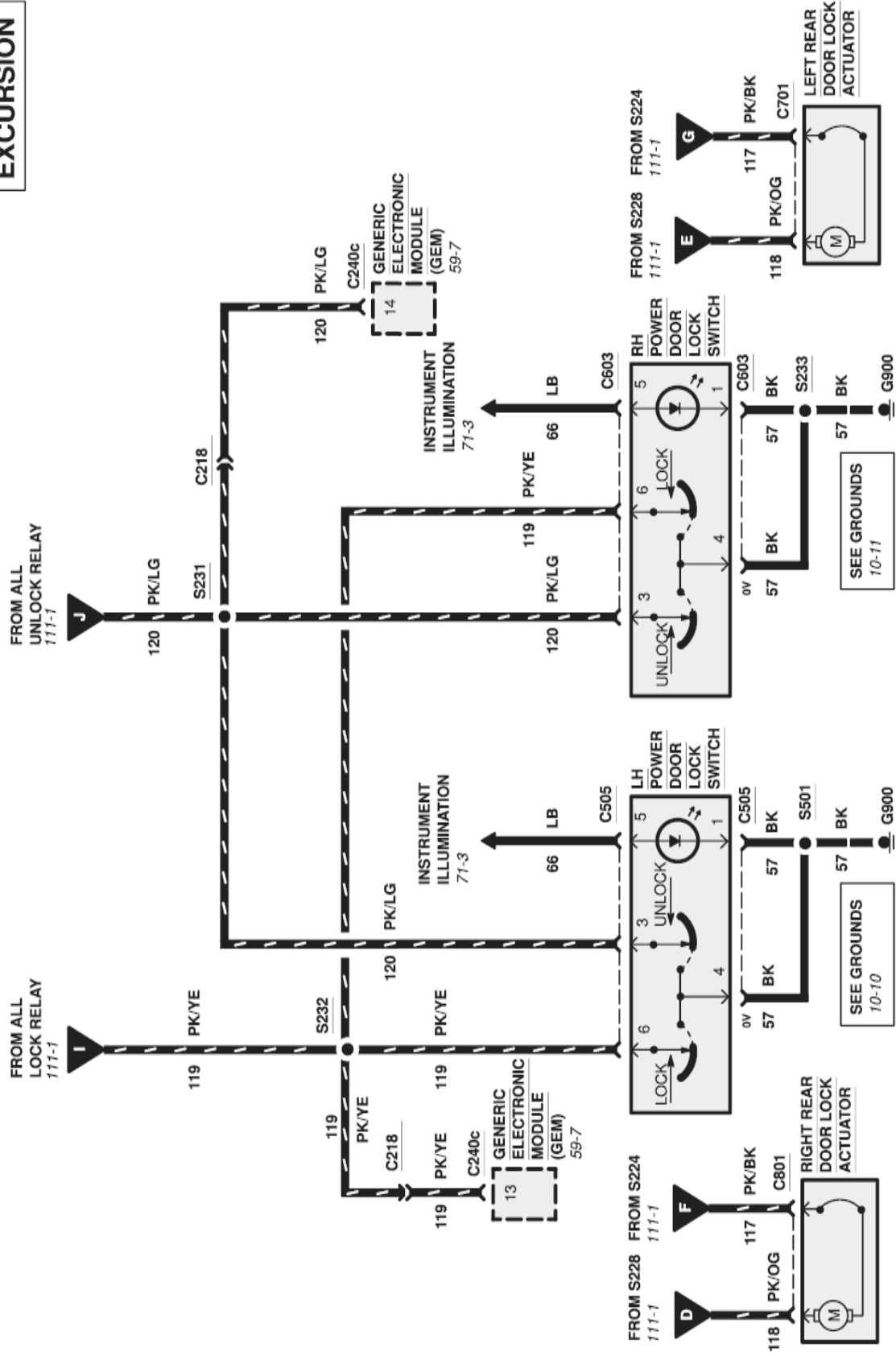
EXCURSION



REMOTE KEYLESS ENTRY (RKE) 111-2

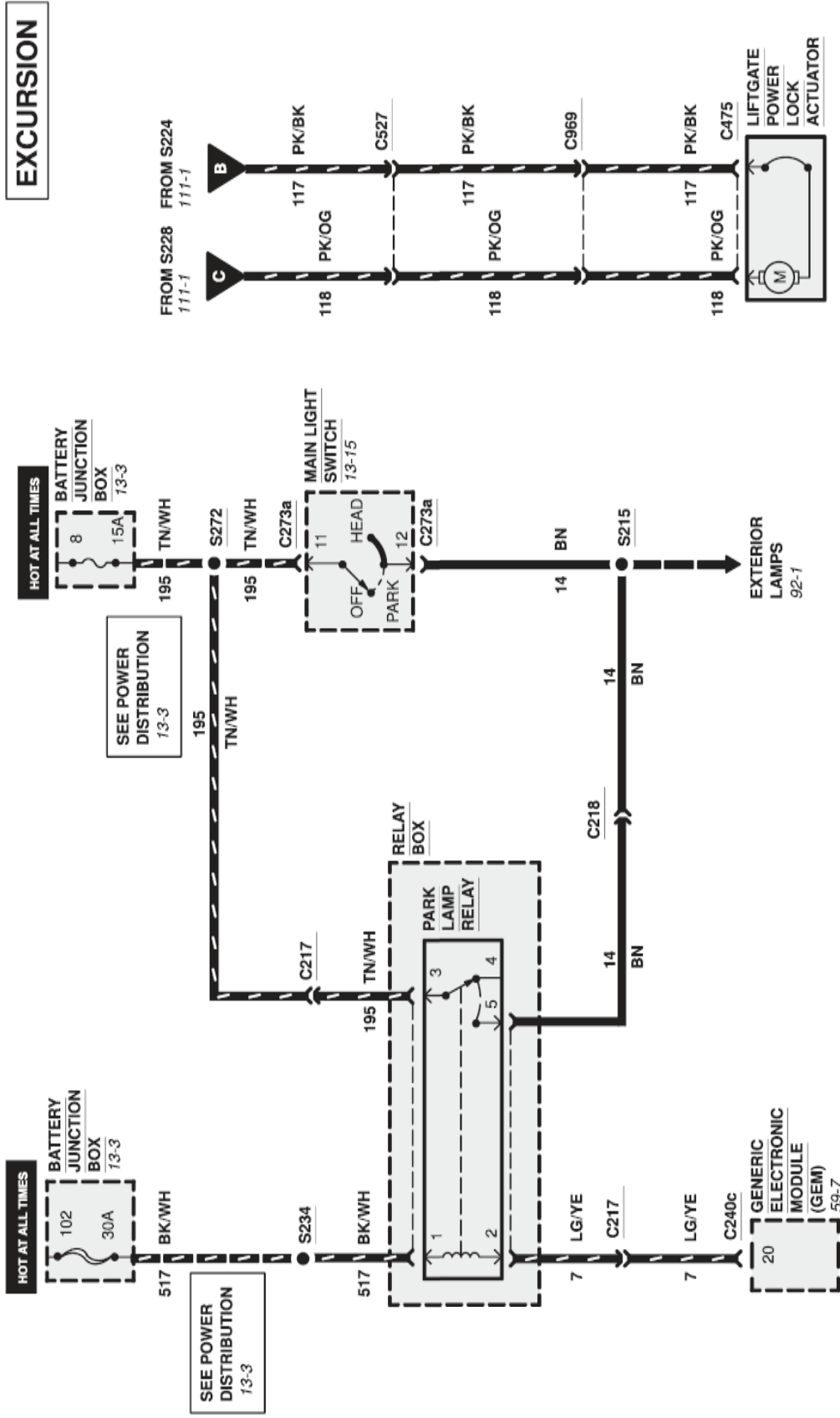
2001 EXCURSION, SUPER DUTY SERIES F-250, F-350, F-450, F-550

EXCURSION



111-3 REMOTE KEYLESS ENTRY (RKE)

2001 EXCURSION, SUPER DUTY SERIES F-250, F-350, F-450, F-550

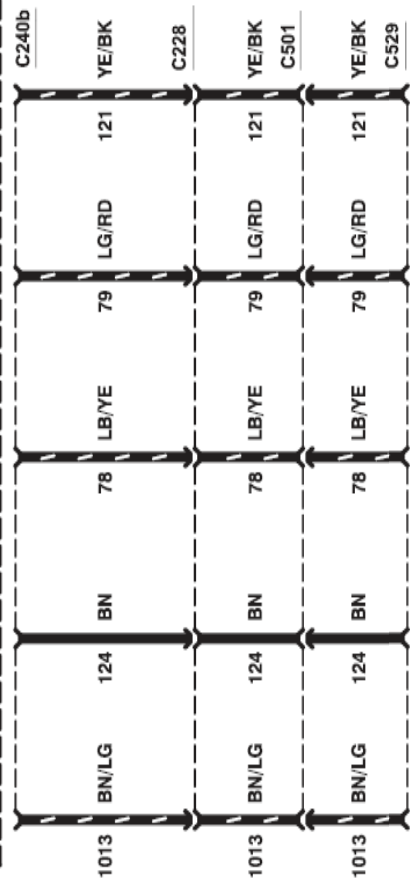


REMOTE KEYLESS ENTRY (RKE) 111-4

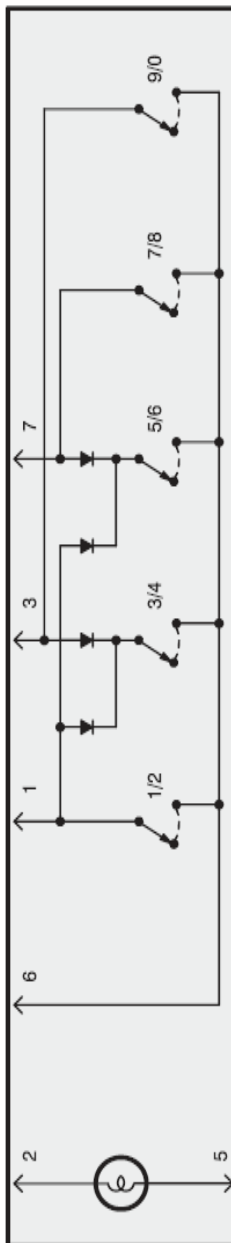
2001 EXCURSION, SUPER DUTY SERIES F-250, F-350, F-450, F-550

EXCURSION

GENERIC
ELECTRONIC
MODULE
(GEM)
59-8



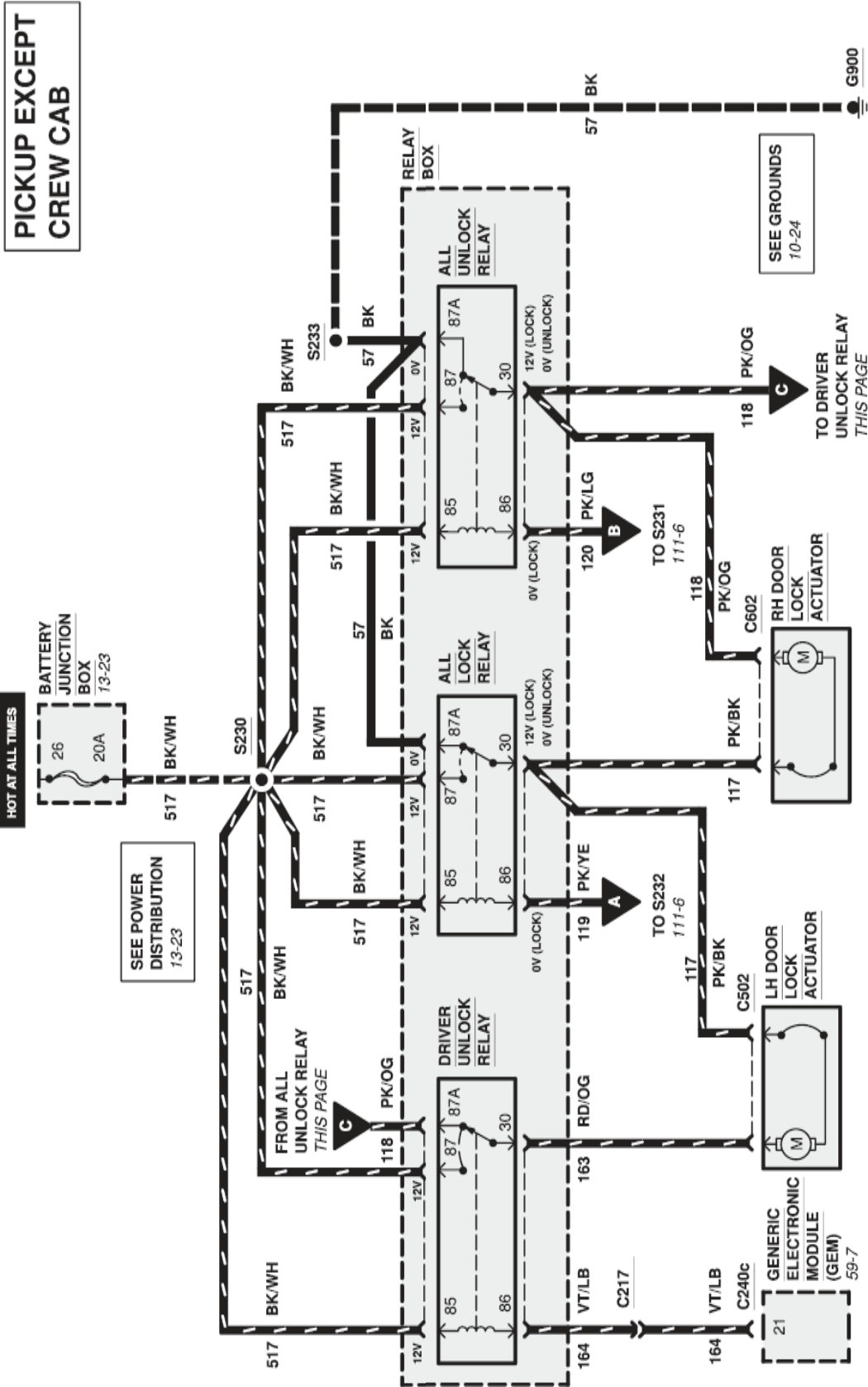
KEYLESS
ENTRY
KEYPAD
SWITCH
ASSEMBLY



SEE GROUNDS
10-10

111-5 REMOTE KEYLESS ENTRY (RKE)

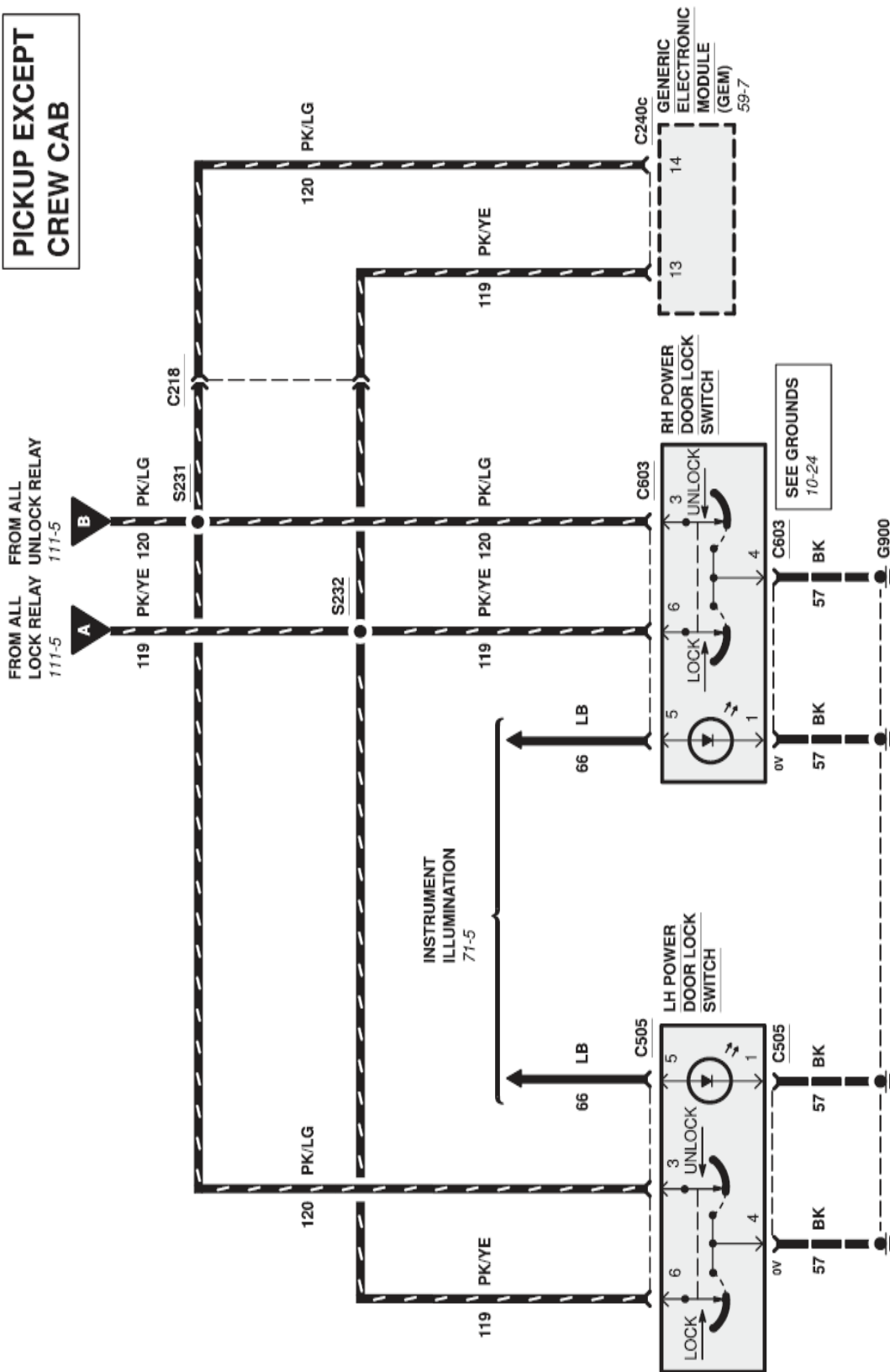
2001 EXCURSION, SUPER DUTY SERIES F-250, F-350, F-450, F-550



REMOTE KEYLESS ENTRY (RKE) 111-6

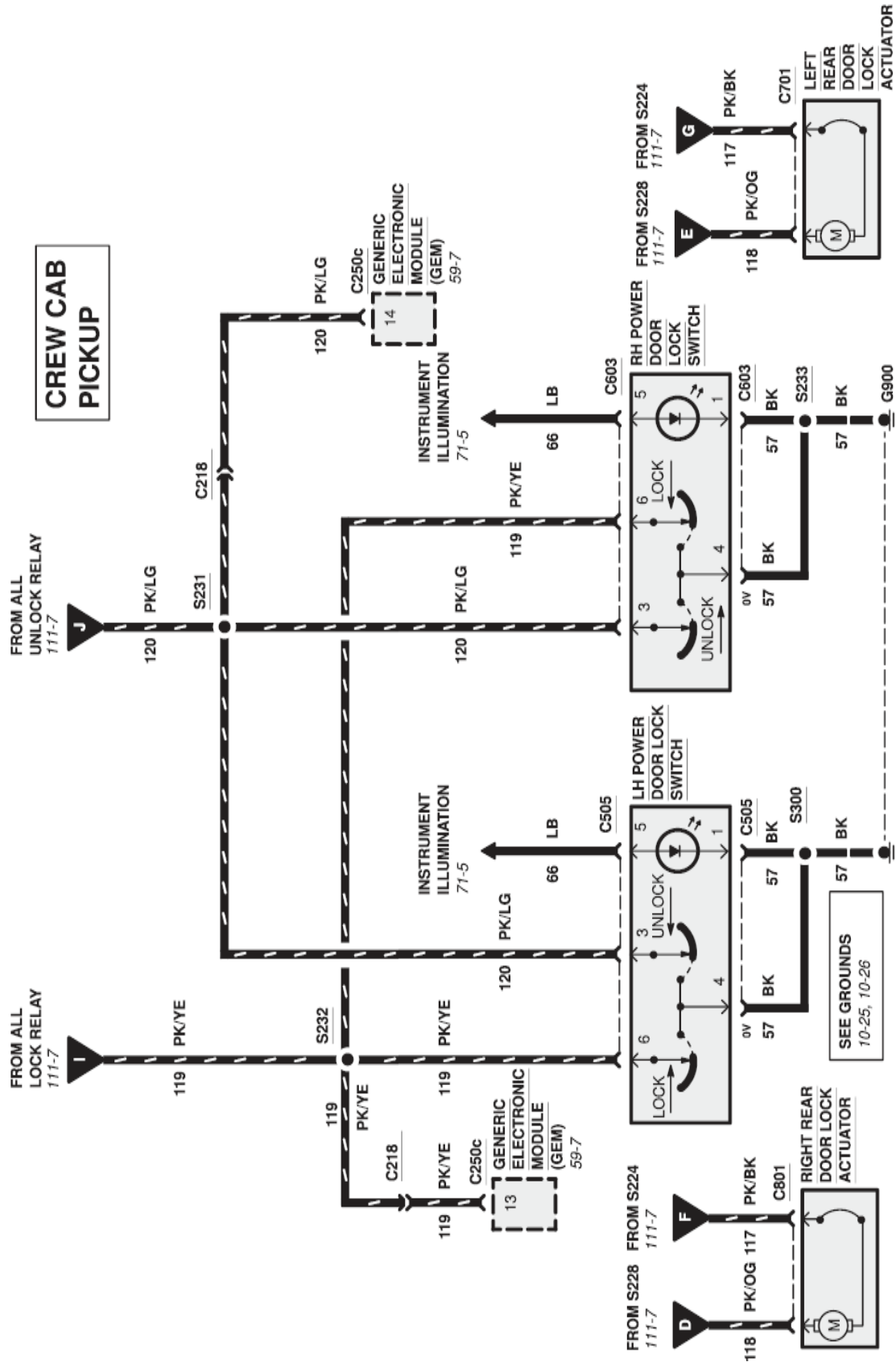
2001 EXCURSION, SUPER DUTY SERIES F-250, F-350, F-450, F-550

PICKUP EXCEPT
CREW CAB



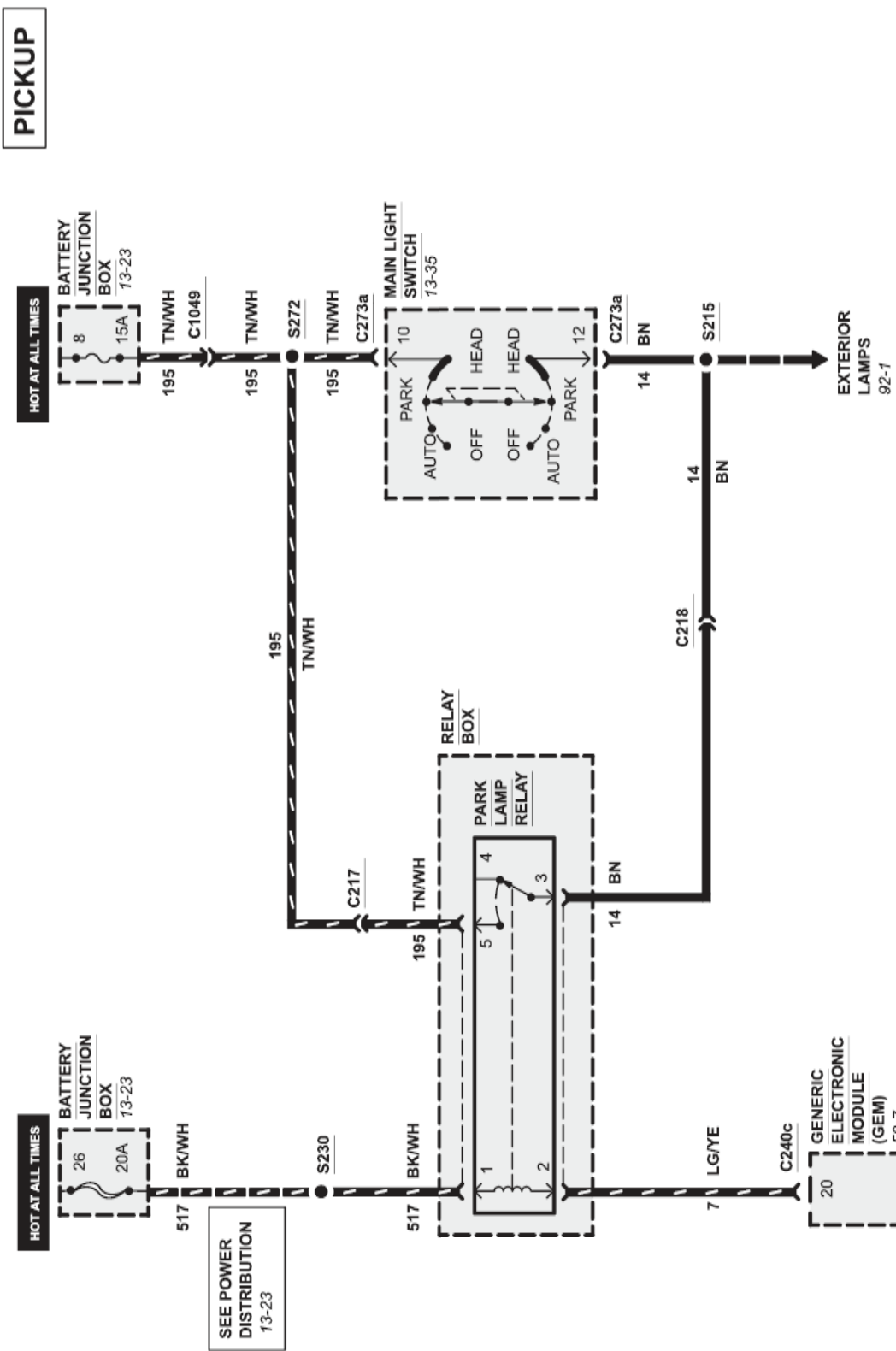
REMOTE KEYLESS ENTRY (RKE) 111-8

2001 EXCURSION, SUPER DUTY SERIES F-250, F-350, F-450, F-550



111-9 REMOTE KEYLESS ENTRY (RKE)

2001 EXCURSION, SUPER DUTY SERIES F-250, F-350, F-450, F-550



PICKUP

SEE POWER DISTRIBUTION 13-23

Refer to Location Index, Cell 152, for Component, Connector, Splice, Ground and Base Part Number descriptions and locations.