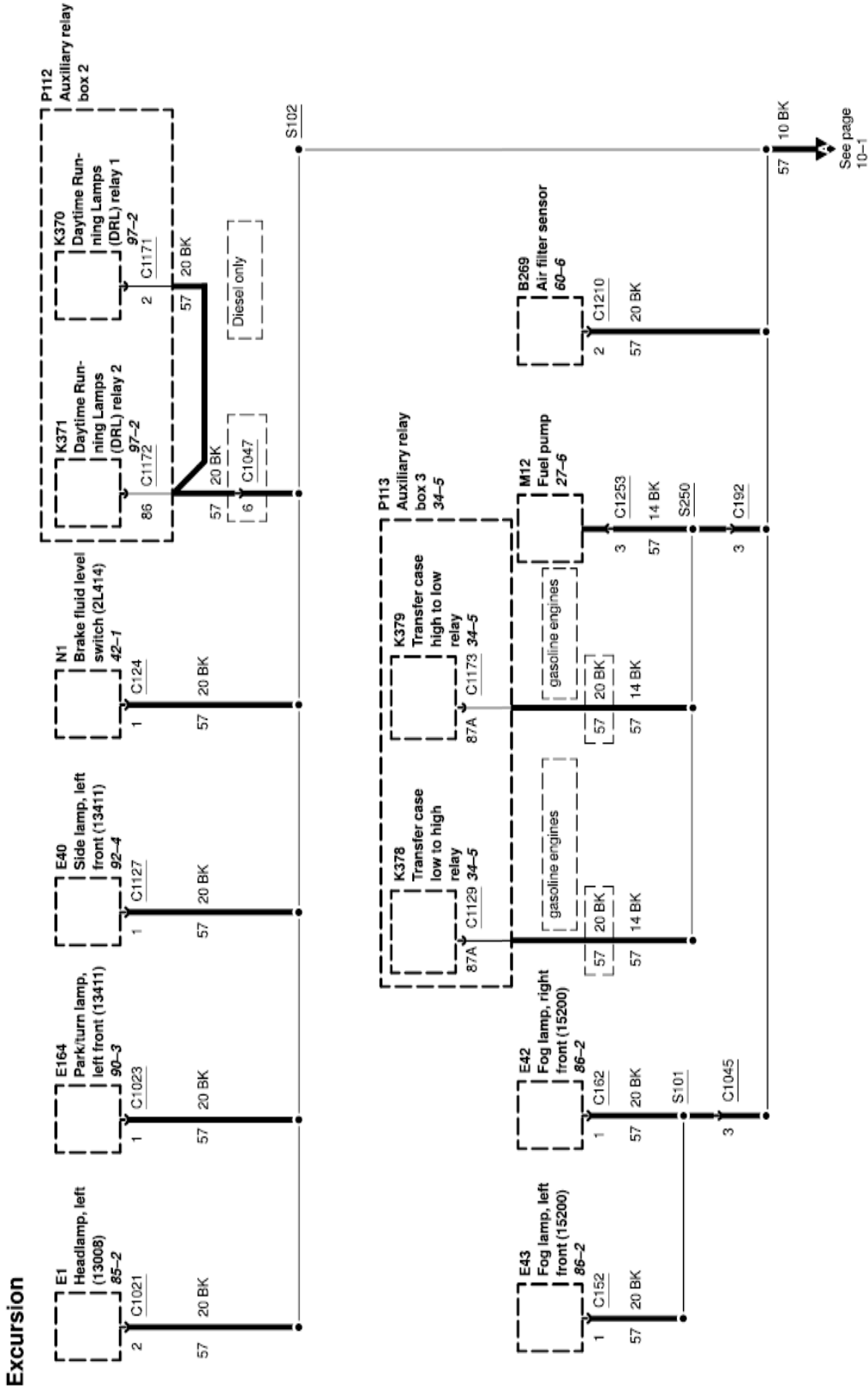


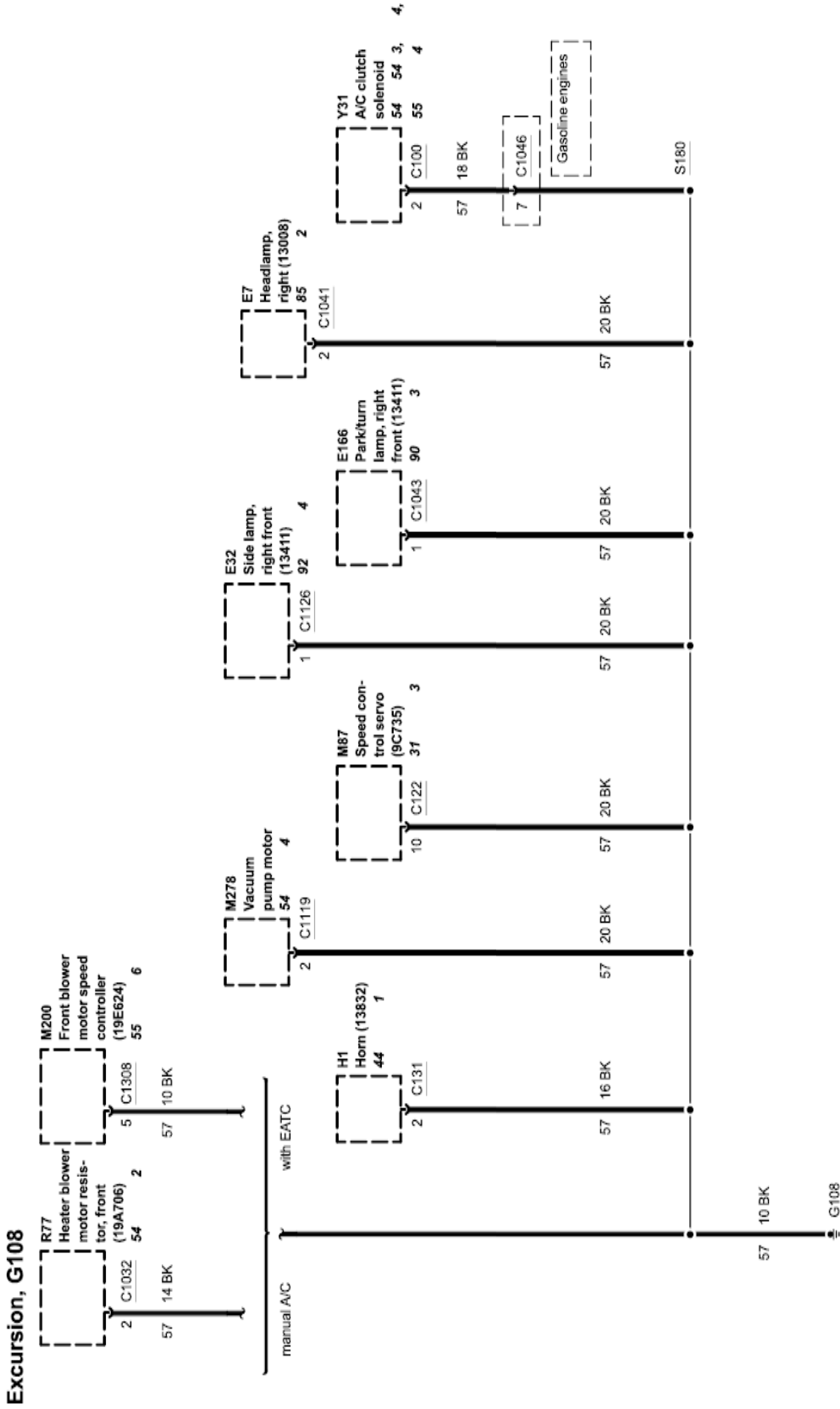


Grounds 10-2





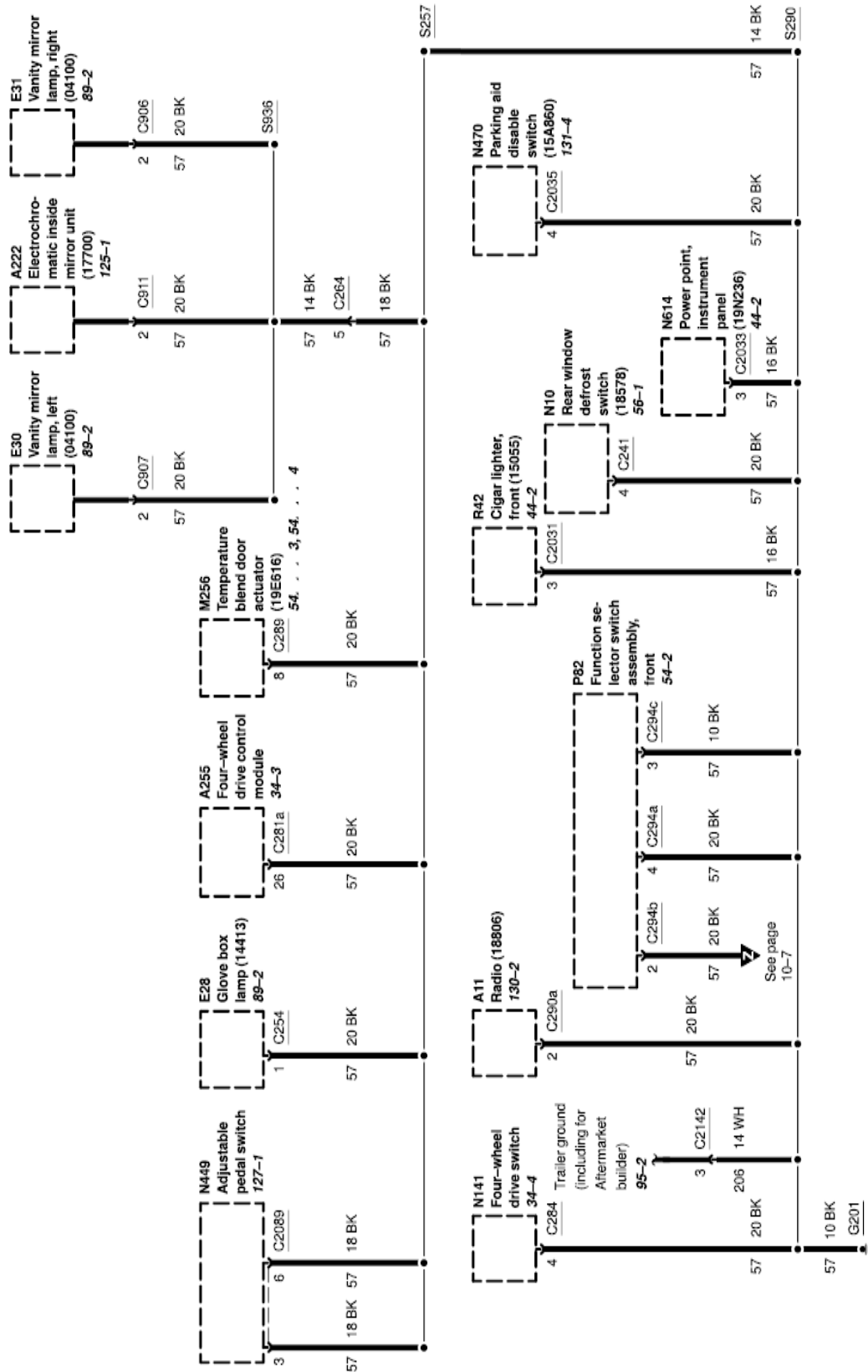
Grounds 10-4



Excursion, Super Duty Series F-250, F-350, F-450, F-550

### 10-5 Grounds

#### Excursion, G201

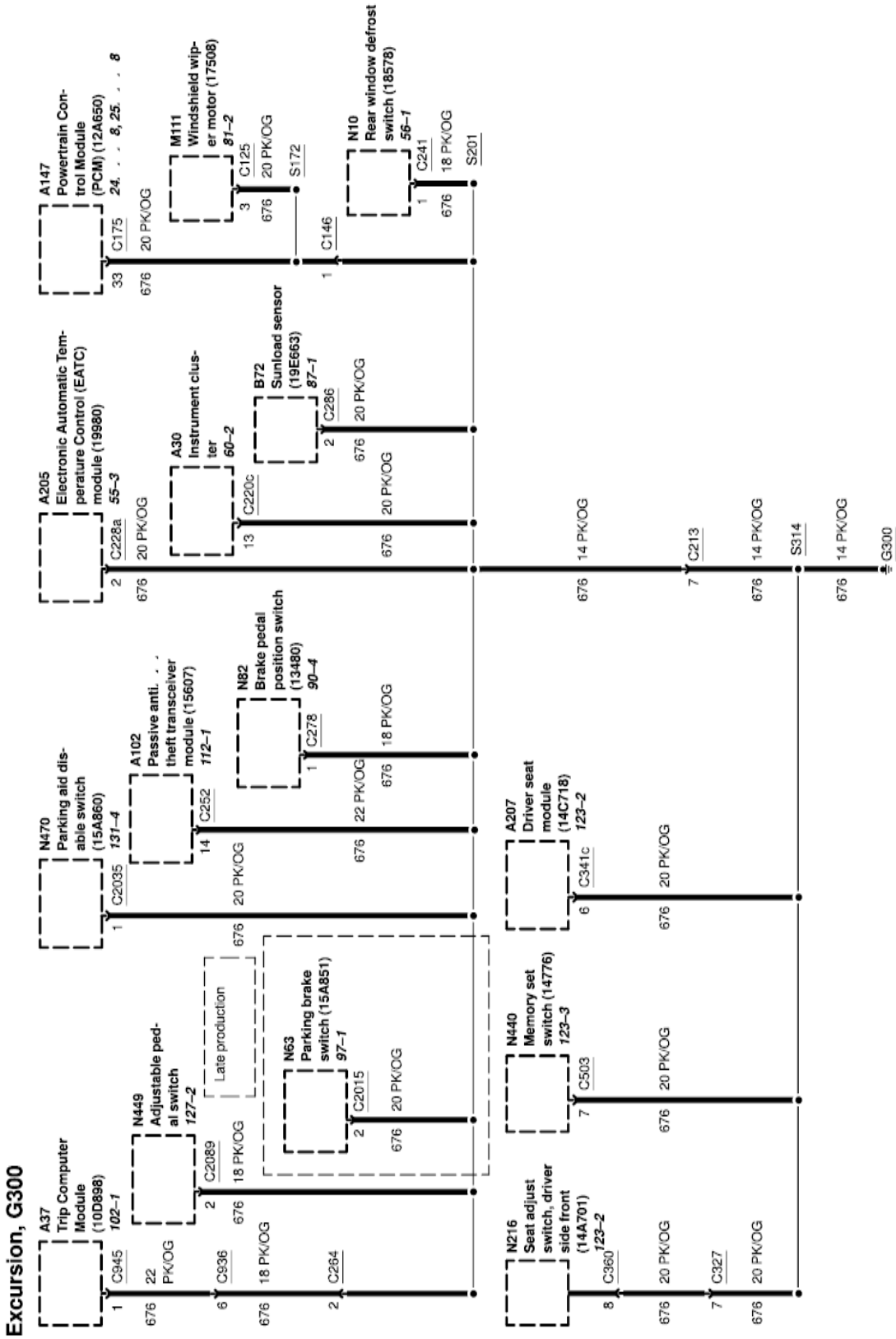


Excursion, Super Duty Series F-250, F-350, F-450, F-550, . . . 02





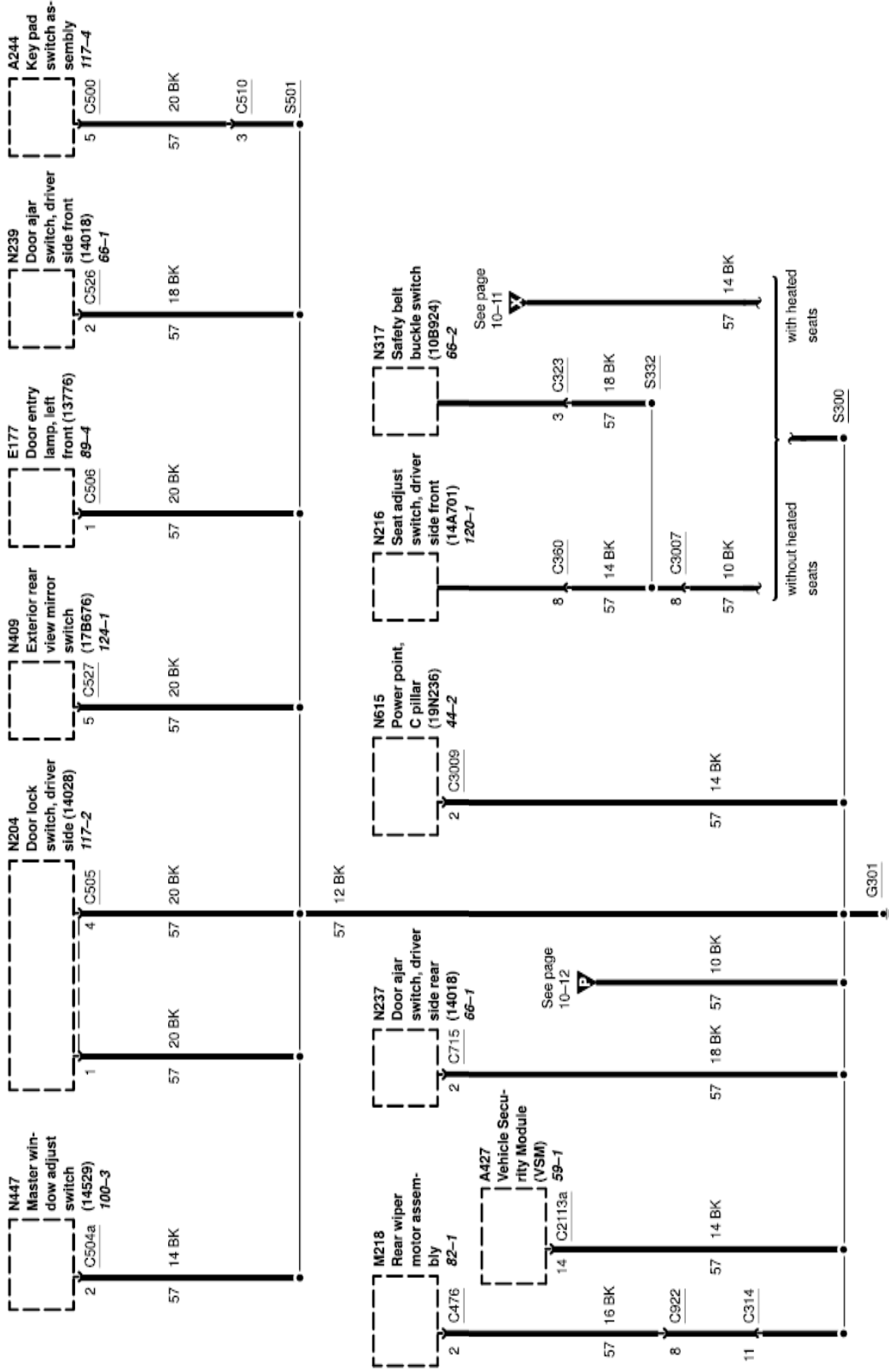
Grounds 10-8





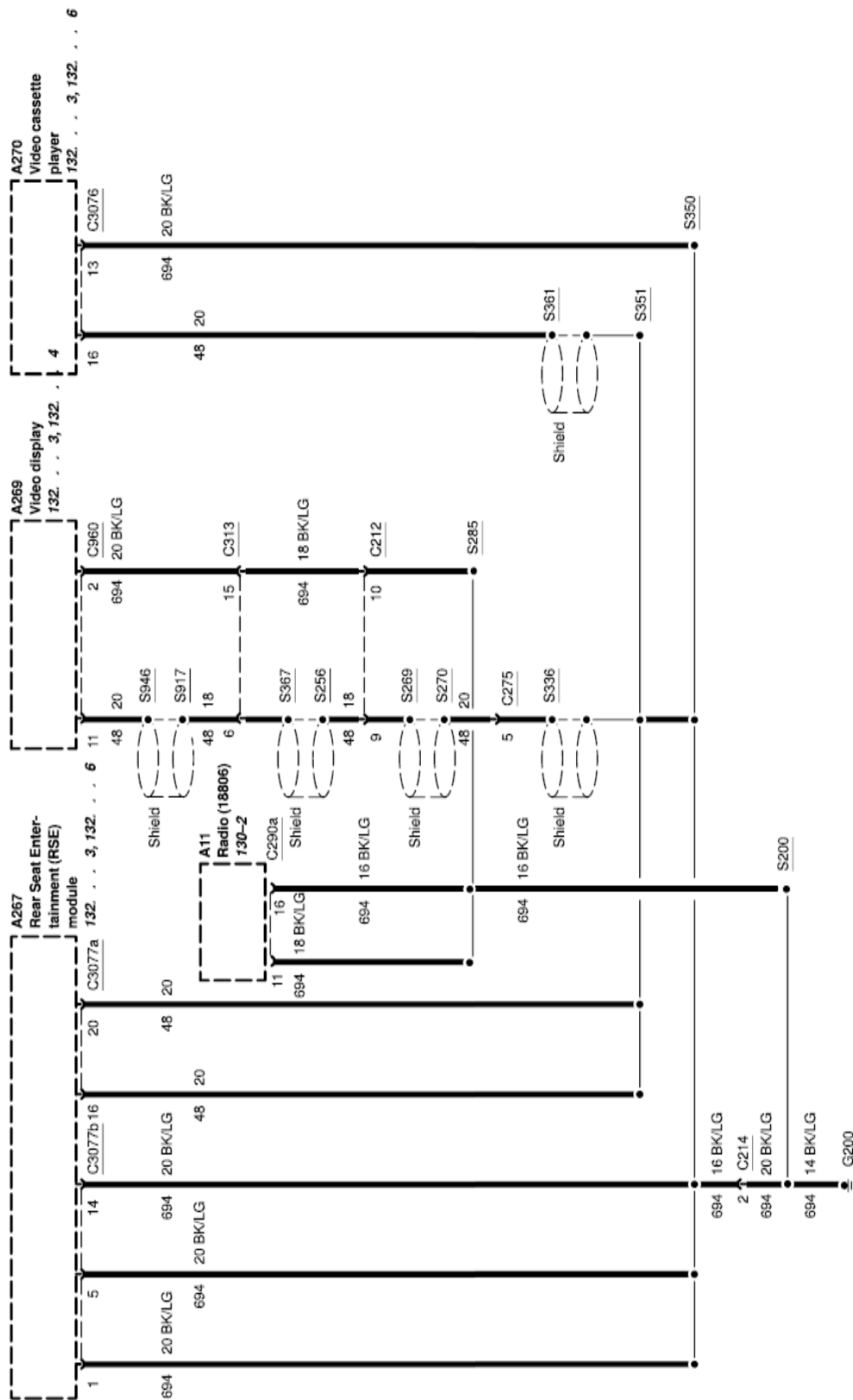
### 10-9 Grounds

#### Excursion, G301



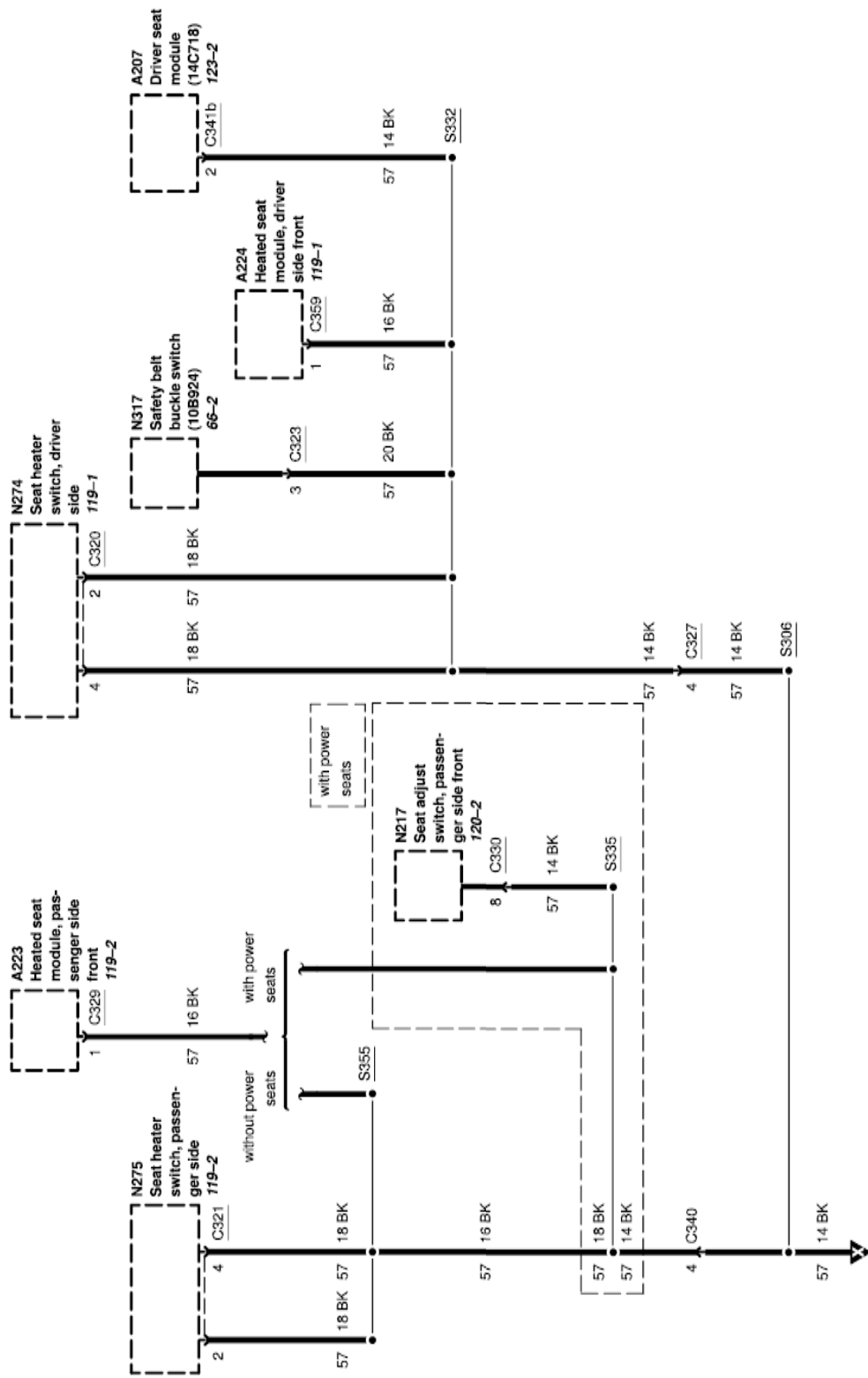
Grounds 10-10

Excursion, with video cassette player, G200



### 10-11 Grounds

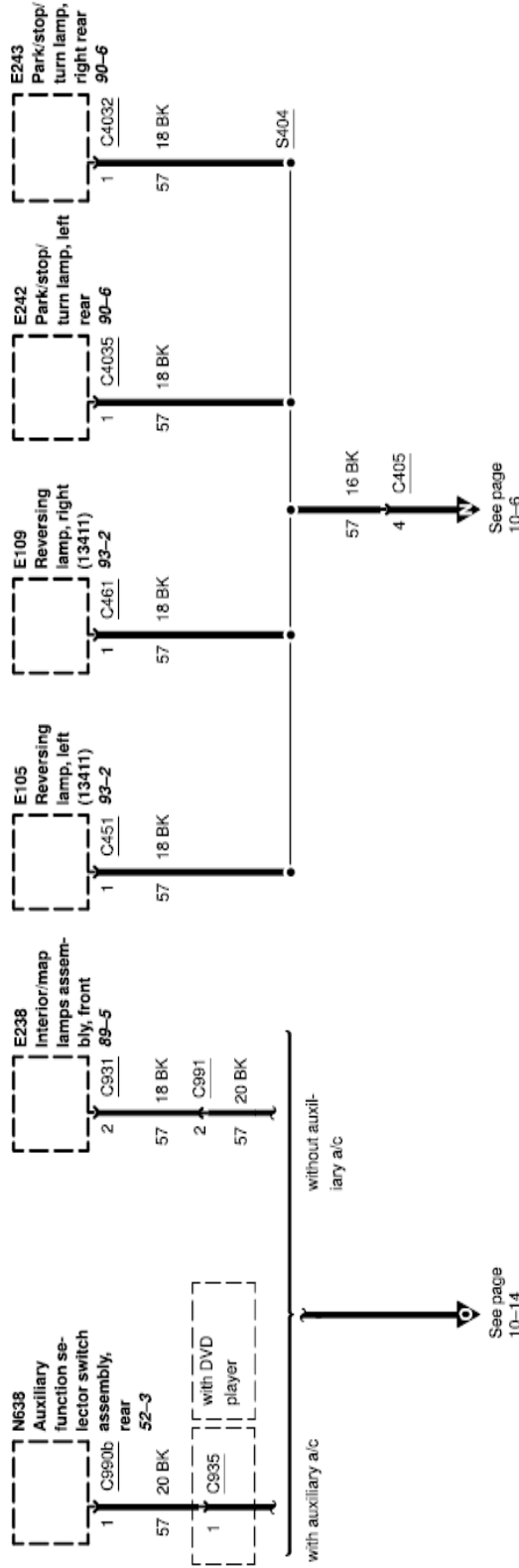
#### Excursion



See page 10-9

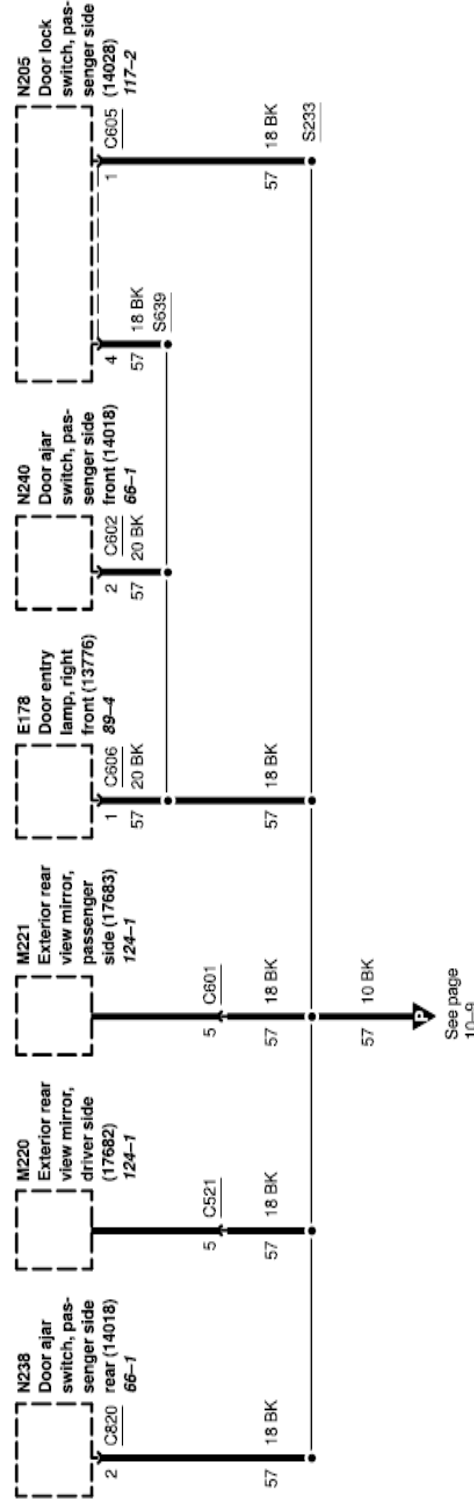
Grounds 10-12

Excursion



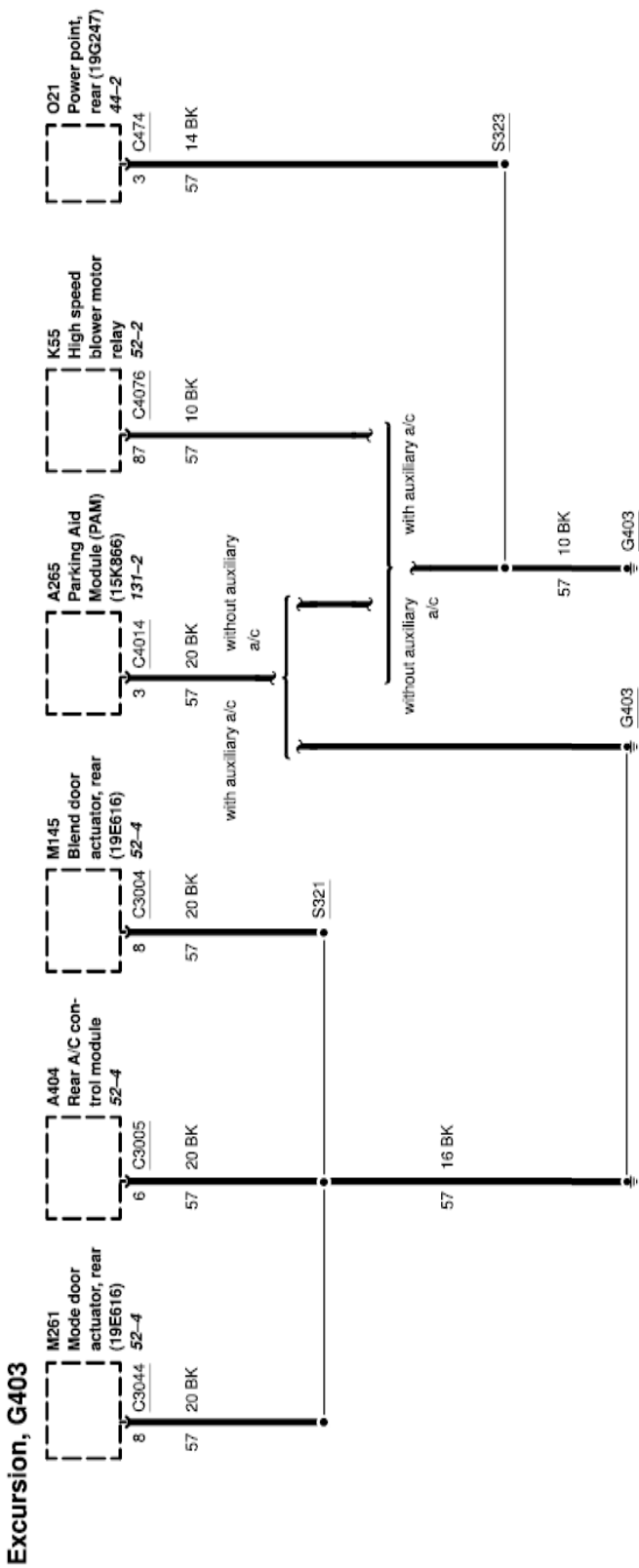
See page 10-6

See page 10-14



See page 10-9

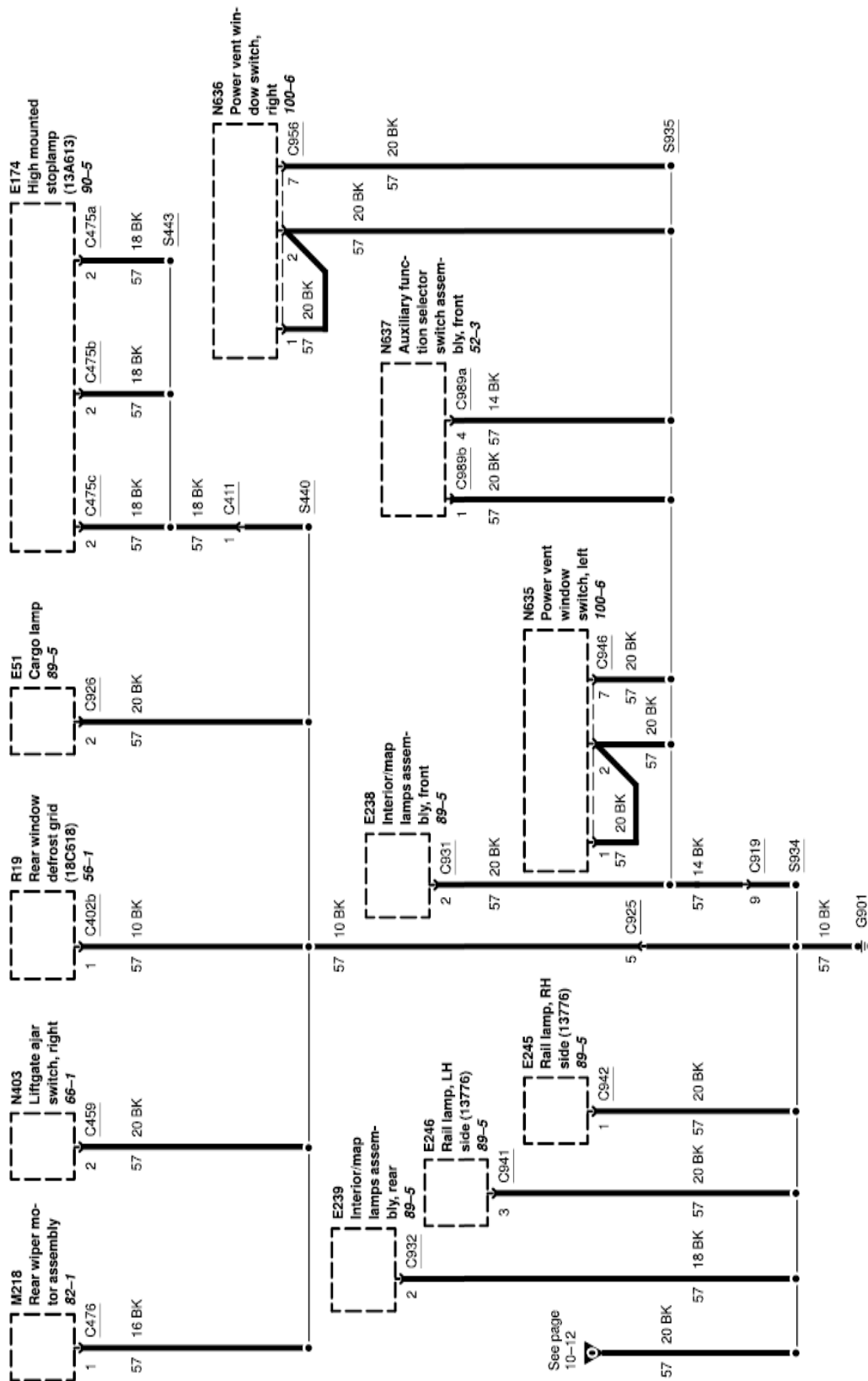
### 10-13 Grounds



Excursion, Super Duty Series F-250, F-350, F-450, F-550, . . . 02

Grounds 10-14

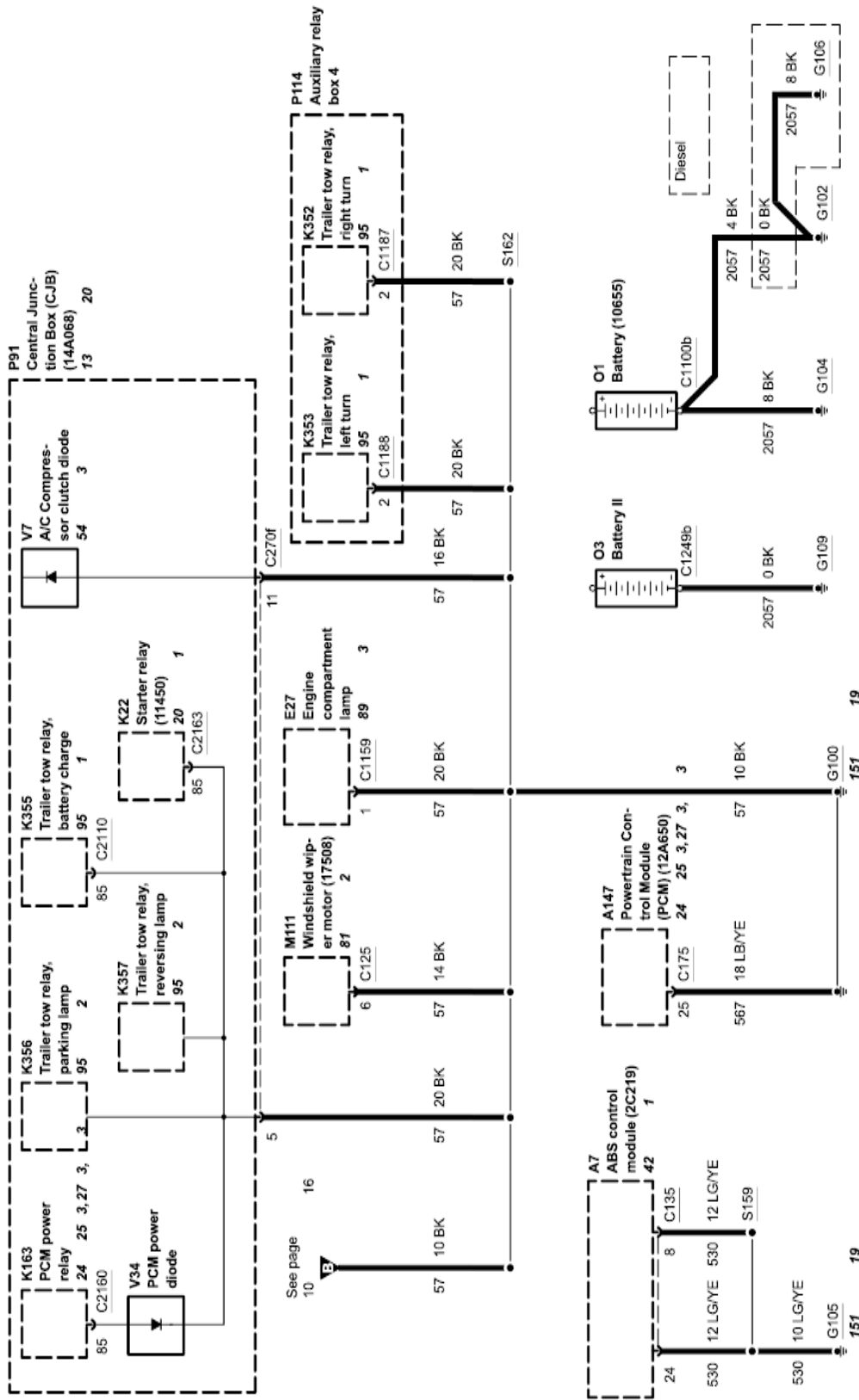
Excursion, G901



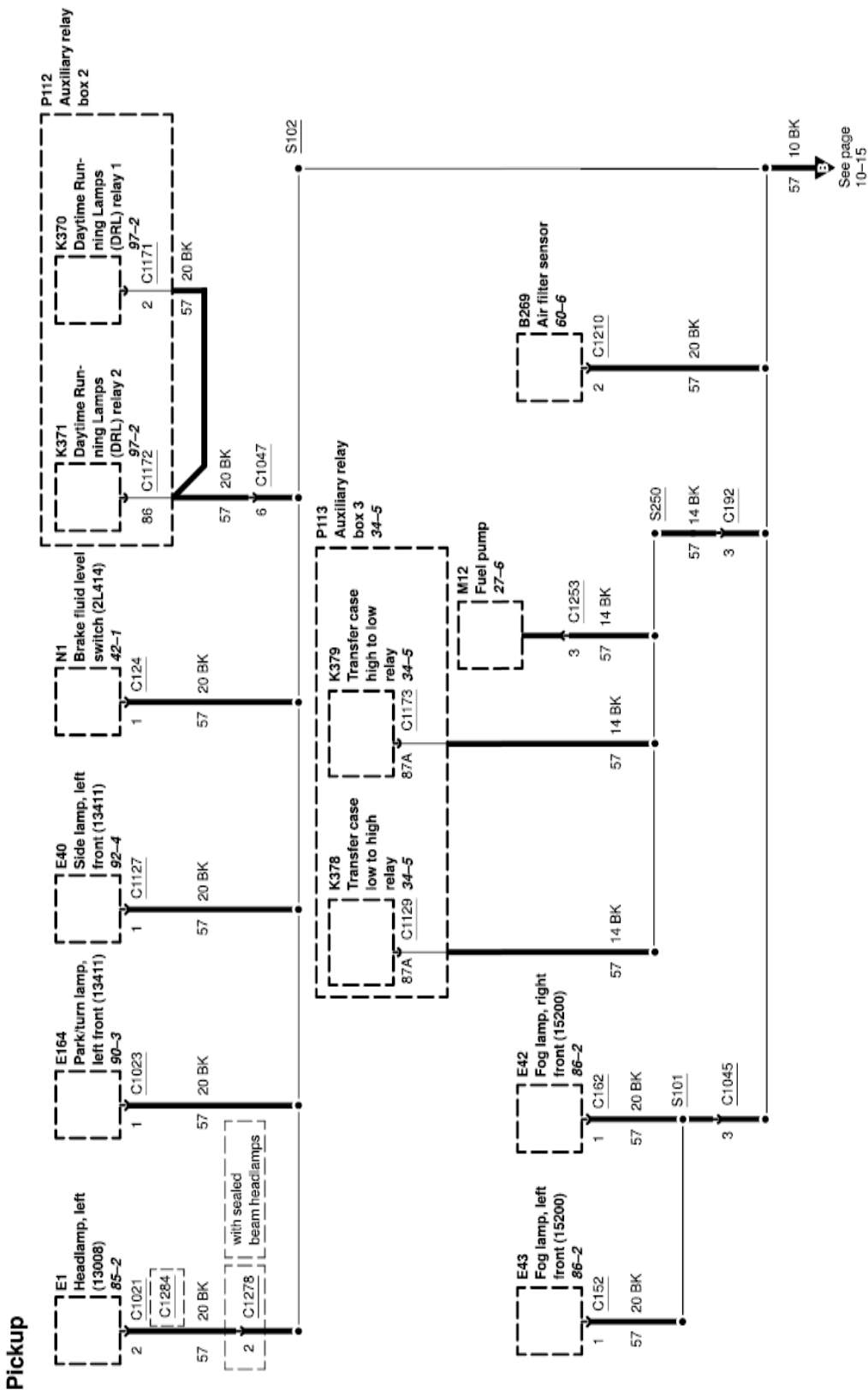
See page 10-12

10-15 Grounds

Pickup, G100, G102, G104, G105, G106, G109



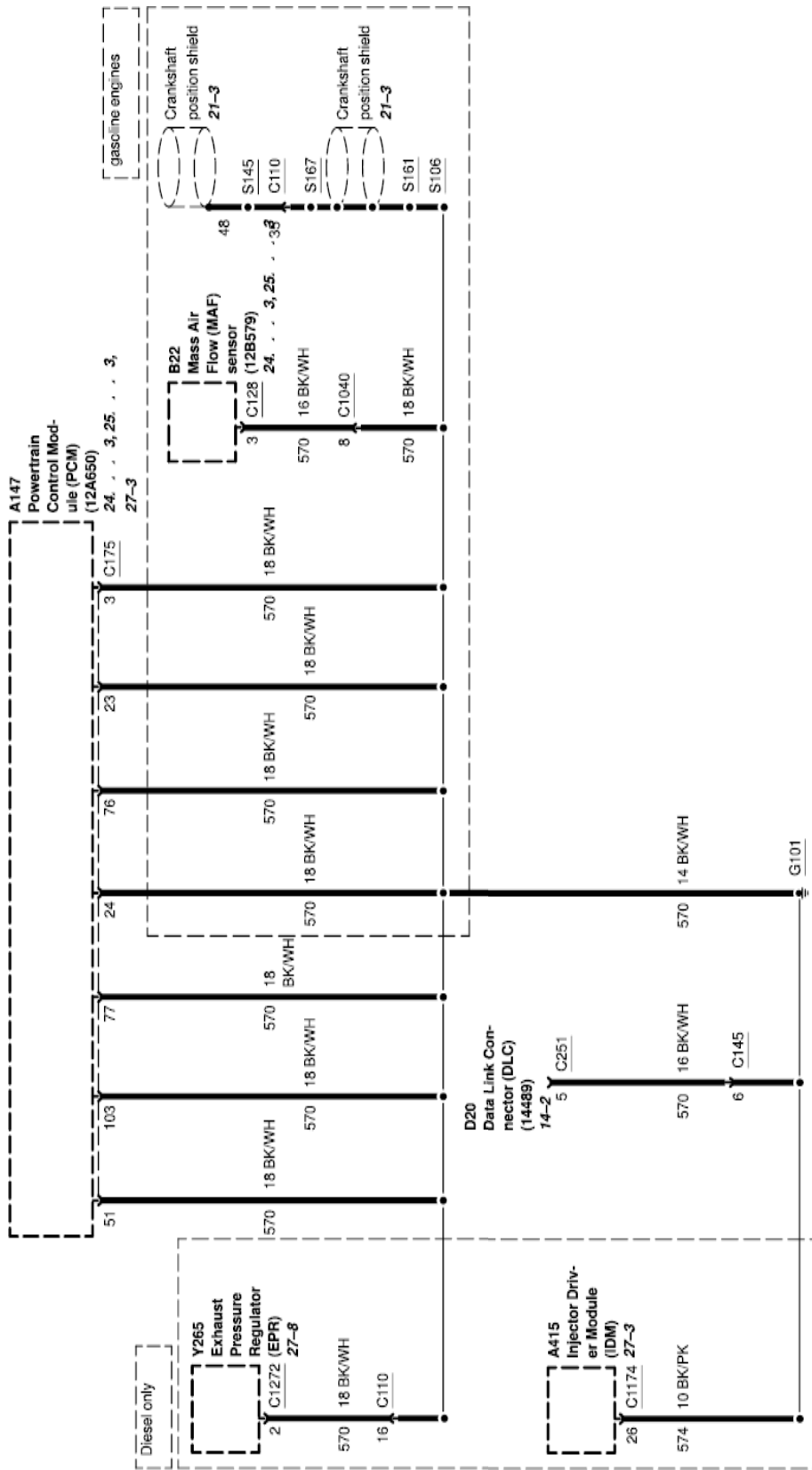
Grounds 10-16





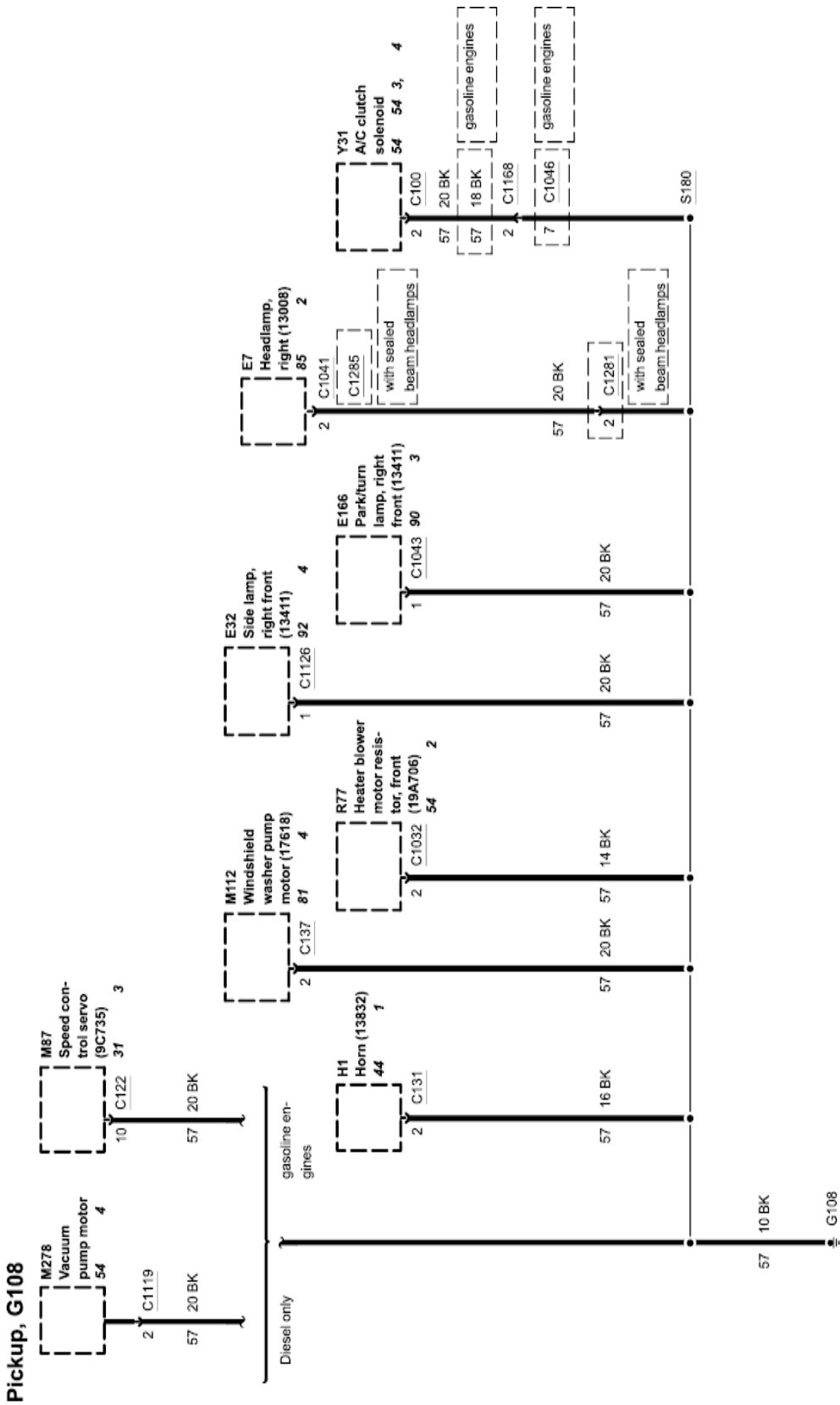
### 10-17 Grounds

#### Pickup, G101



Excursion, Super Duty Series F-250, F-350, F-450, F-550, . . . 02

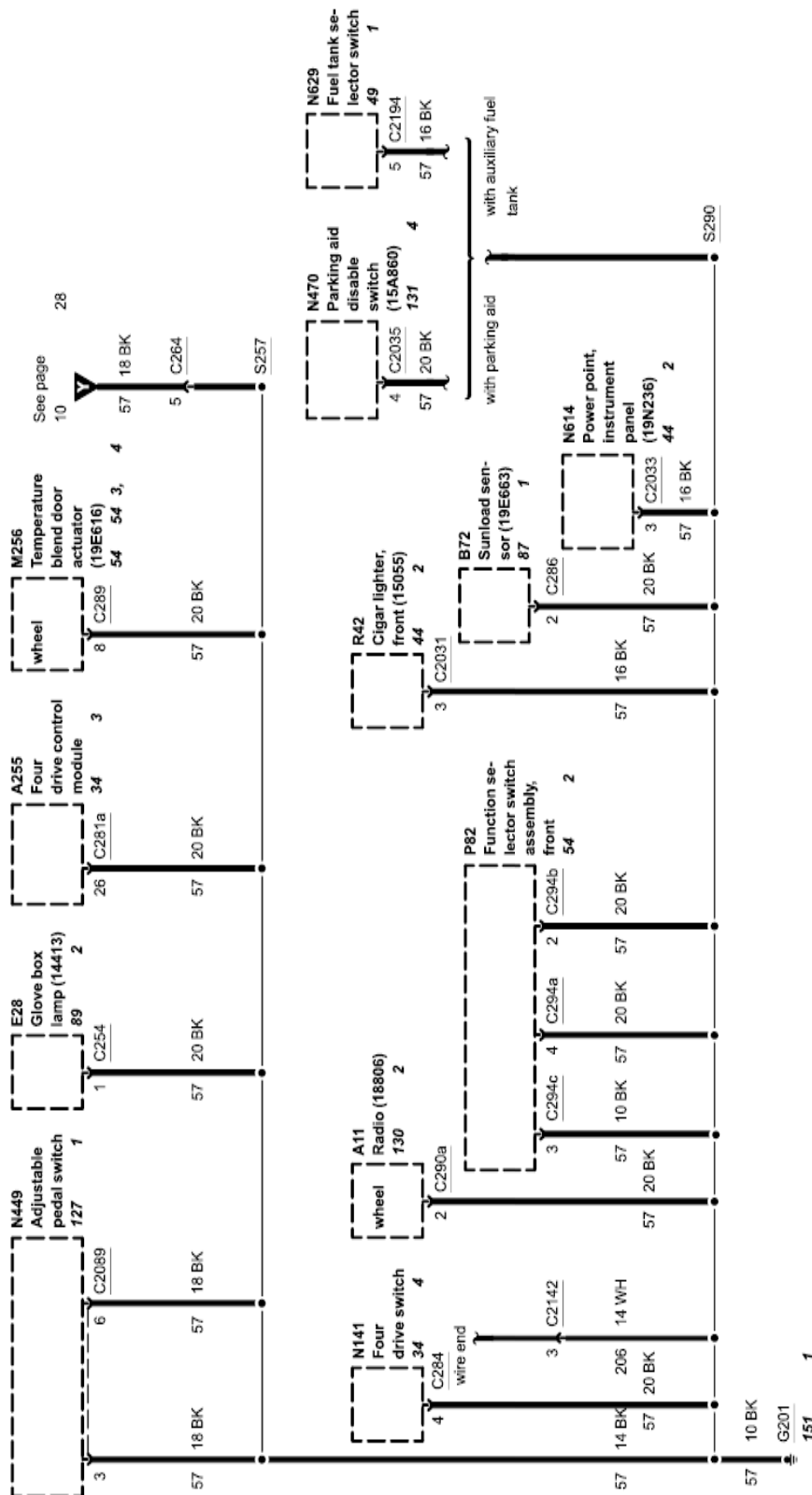
Grounds 10-18



Excursion, Super Duty Series F-250, F-350, F-450, F-550

### 10-19 Grounds

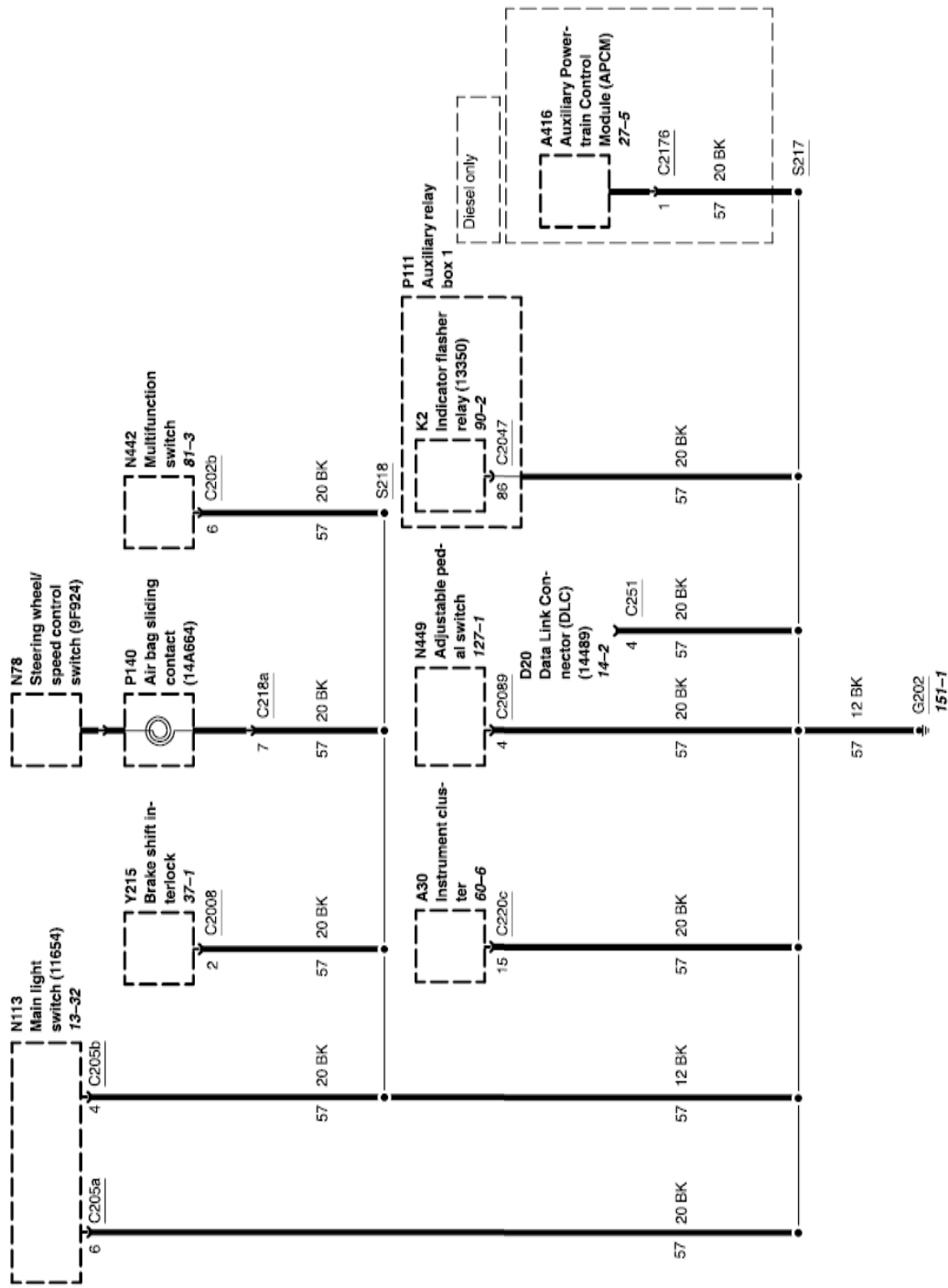
#### Pickup, G201





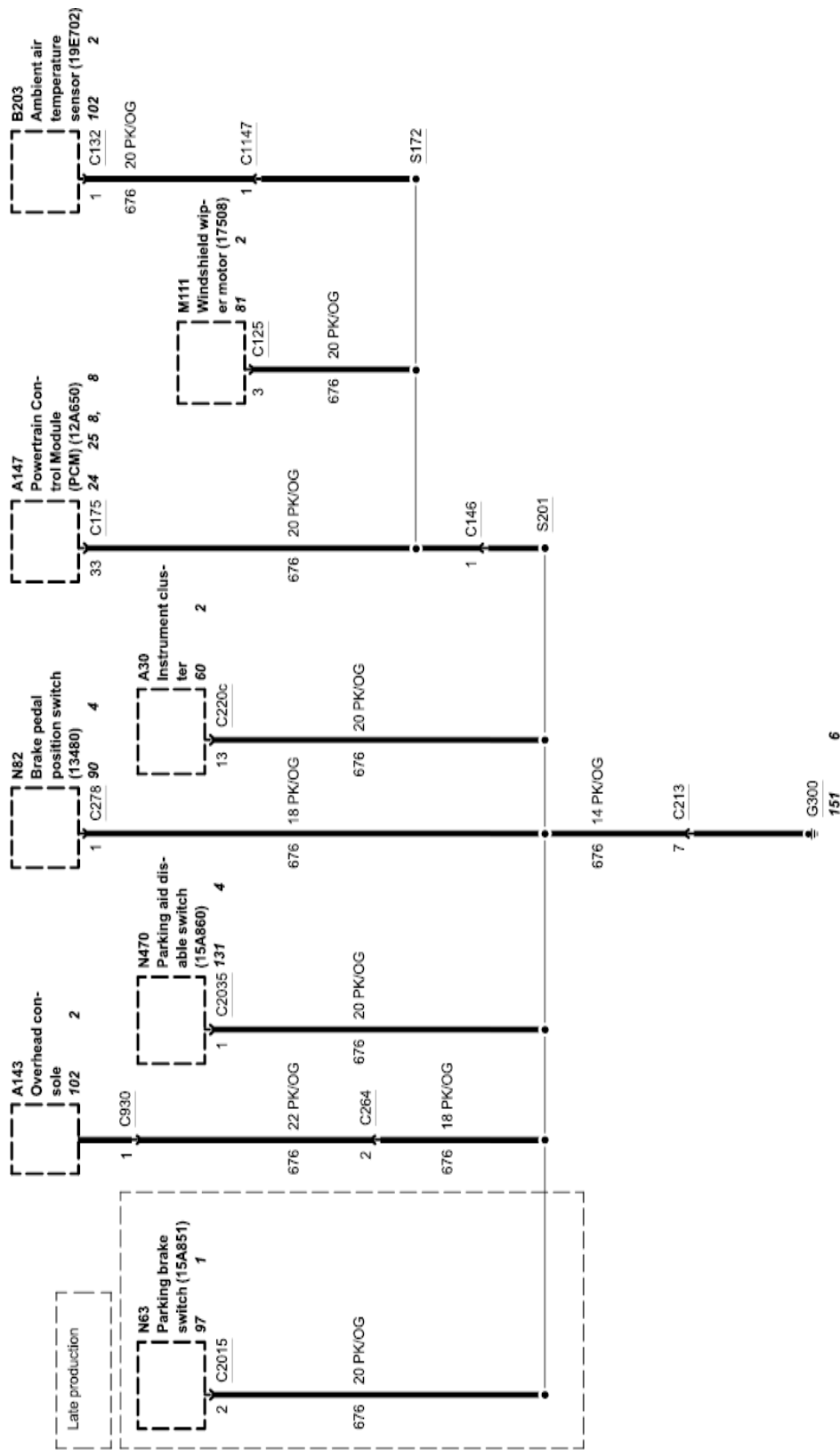
### 10-21 Grounds

#### Pickup, G202



Grounds 10-22

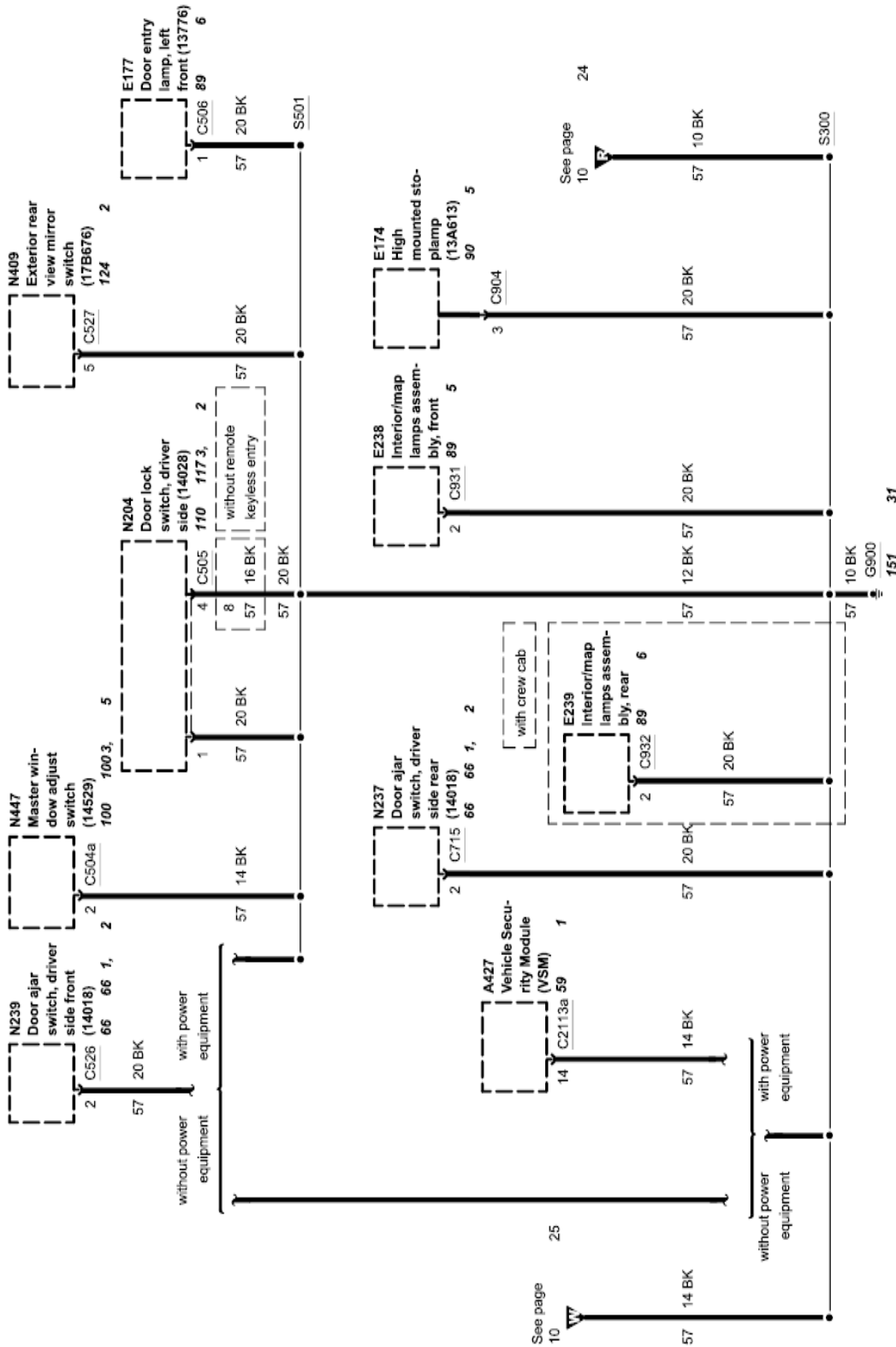
Pickup, G300



Excursion, Super Duty Series F-250, F-350, F-450, F-550

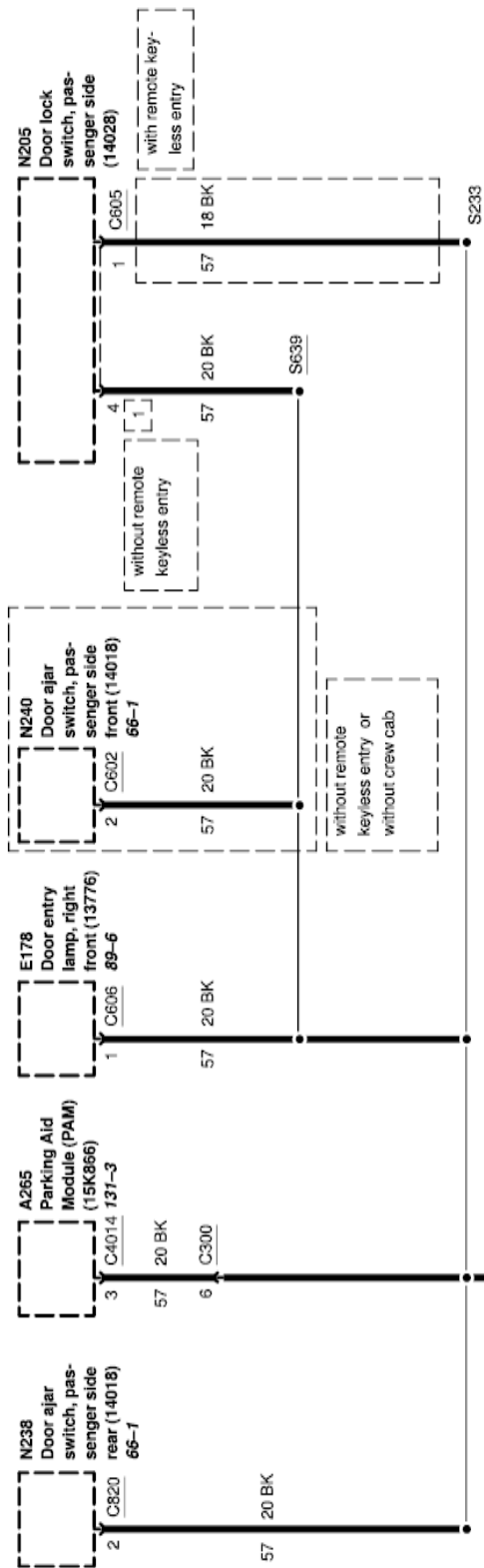
10-23 Grounds

Pickup, G900



Grounds 10-24

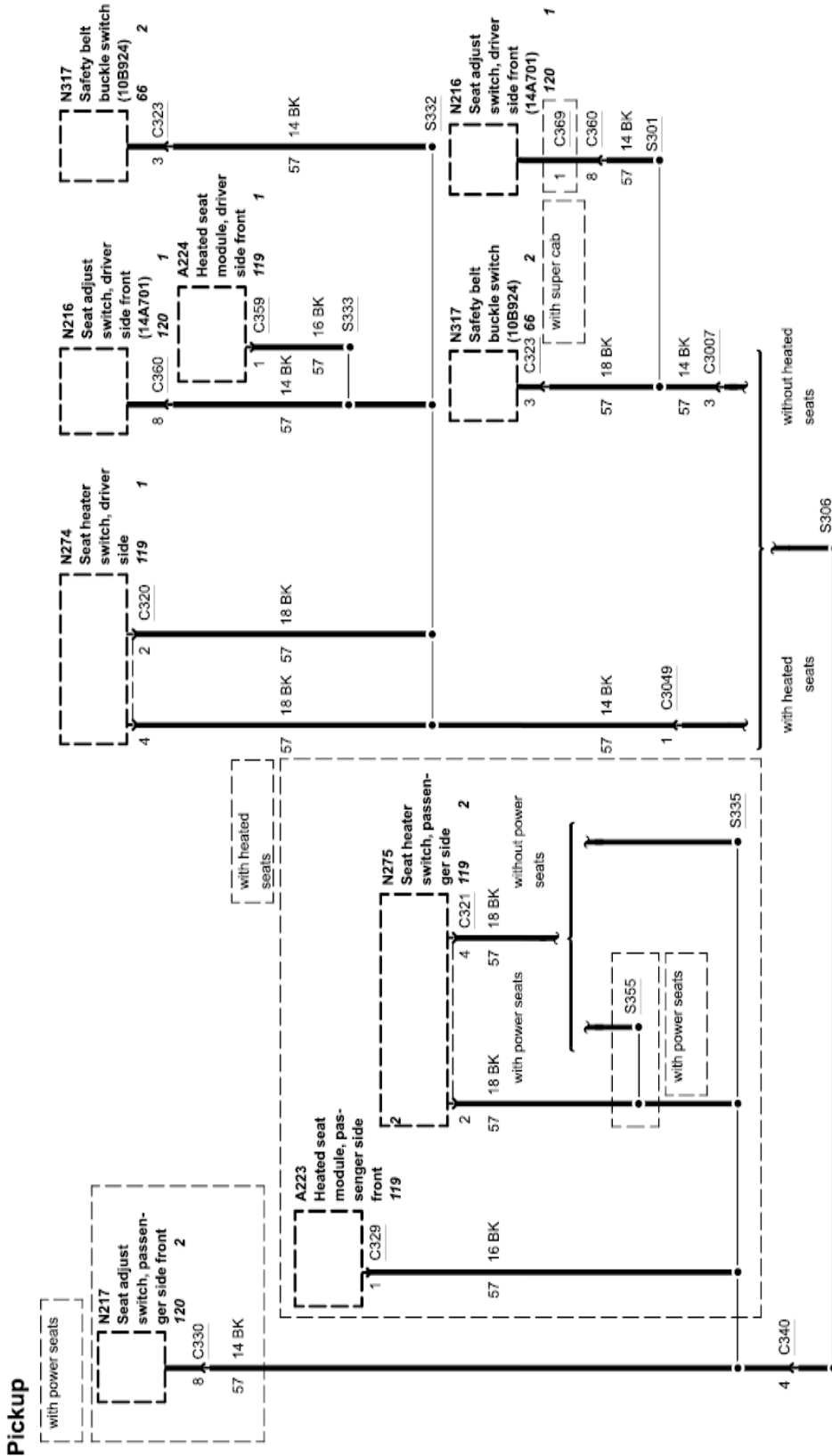
Pickup



See page 10-23



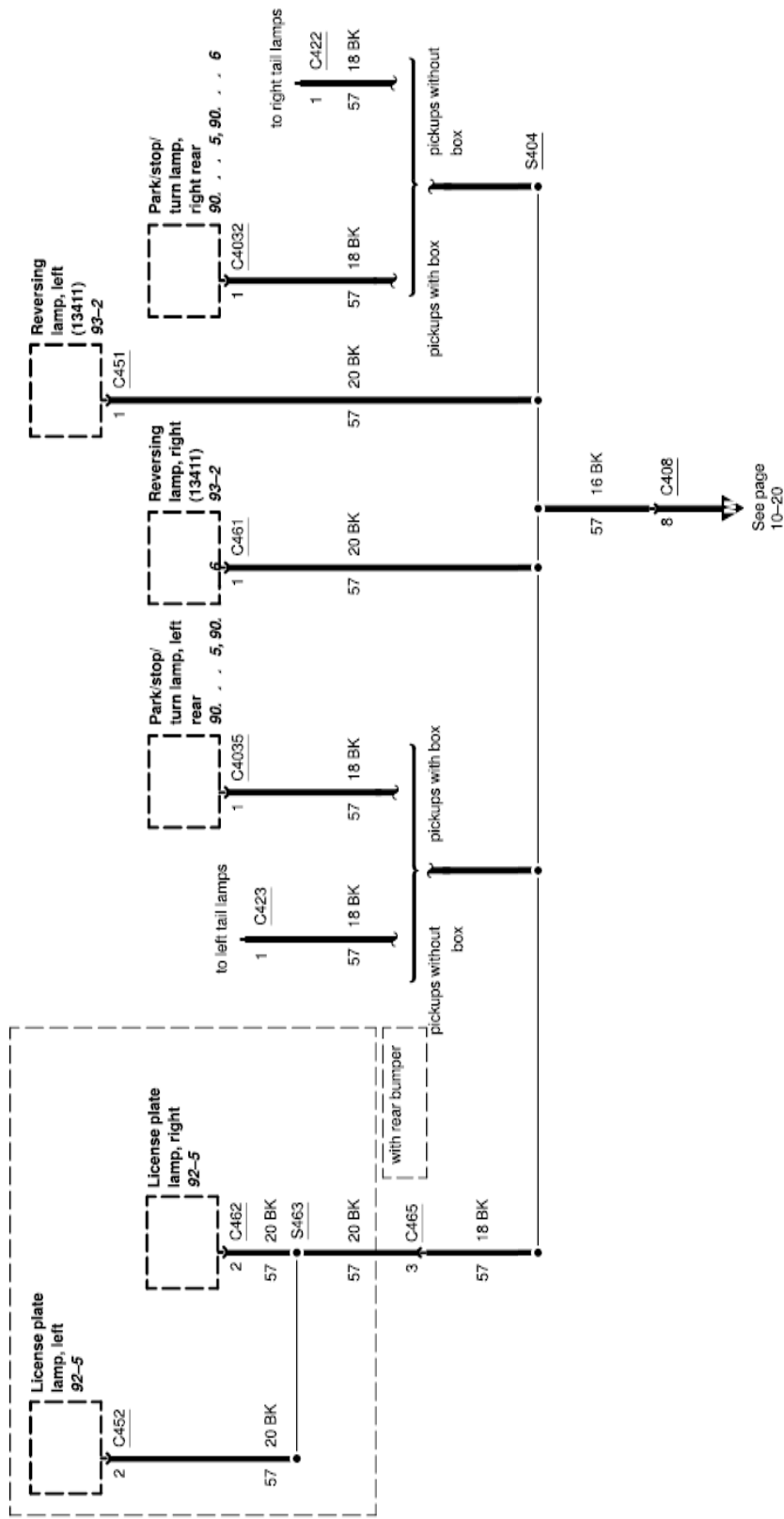
### 10-25 Grounds



See page 10 23

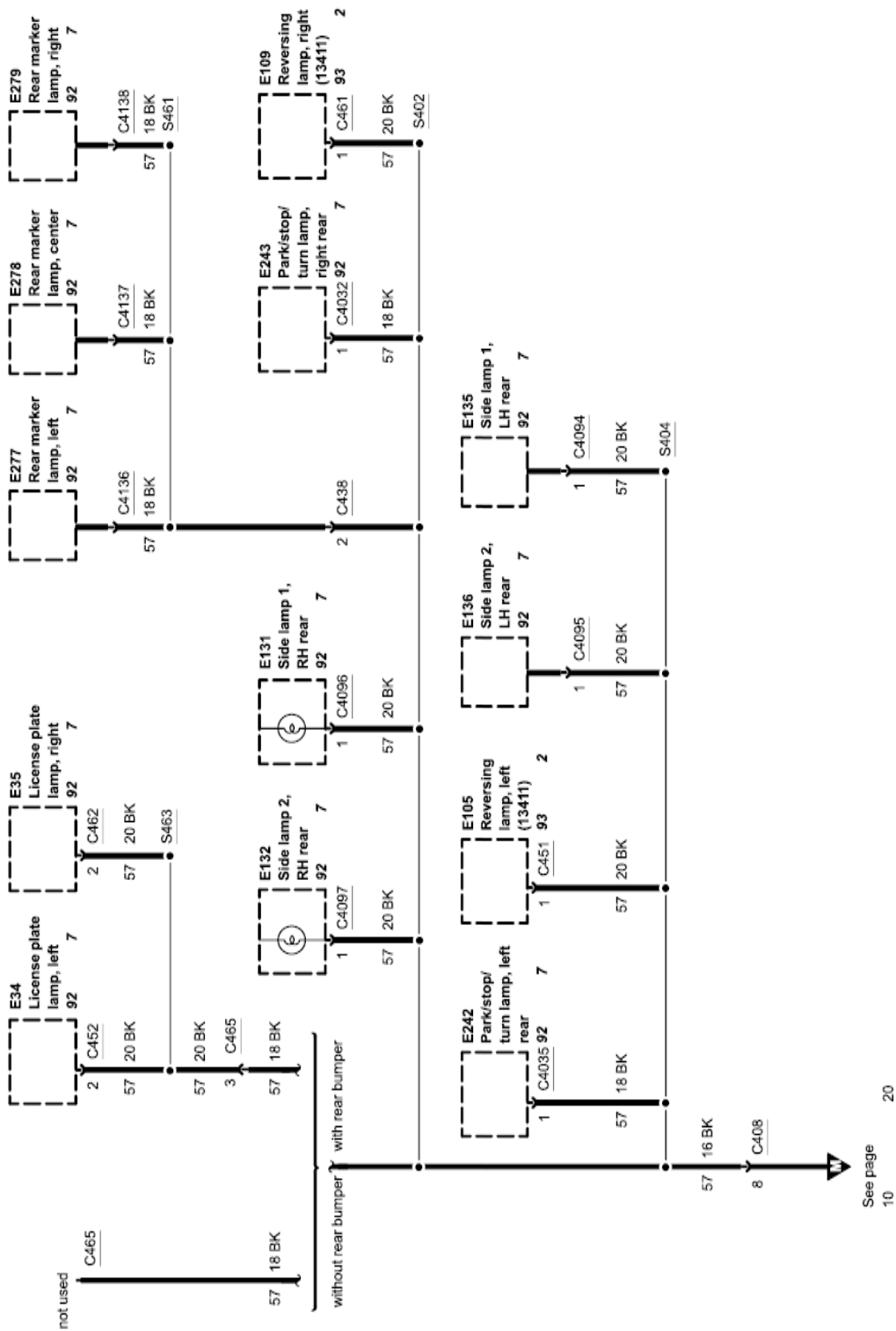
Grounds 10-26

Pickup, without dual rear wheels

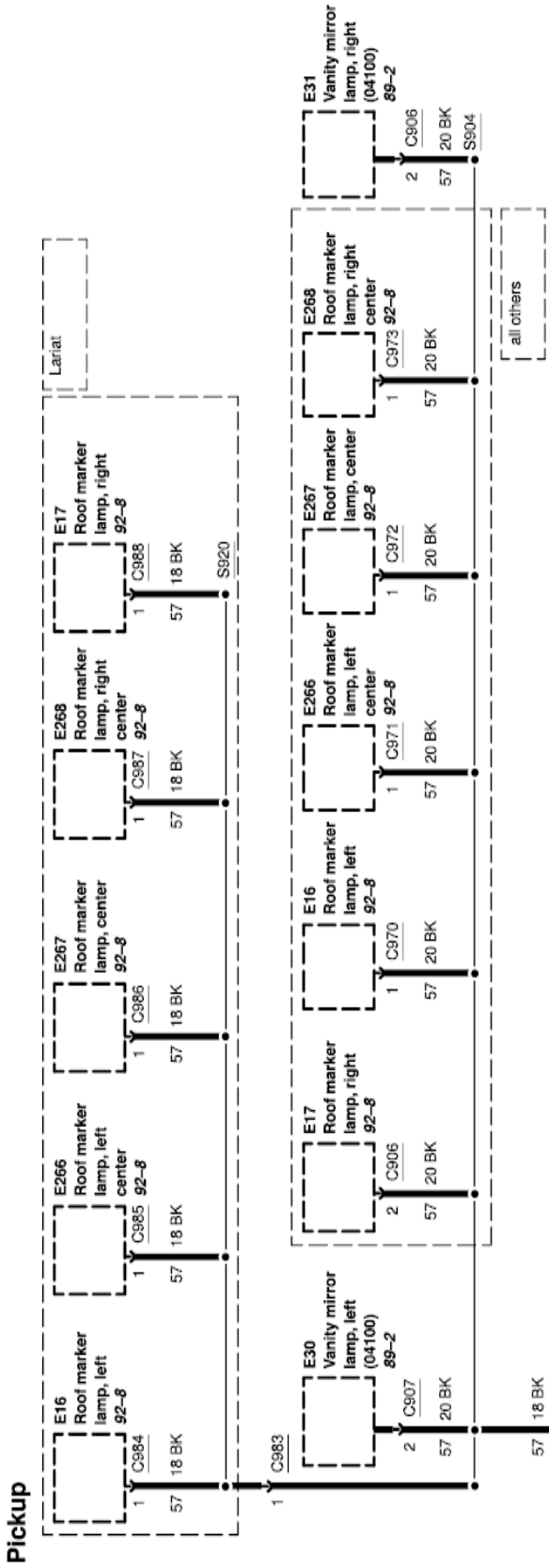


### 10-27 Grounds

#### Pickup, with dual rear wheels



Grounds 10-28



See page 10-19