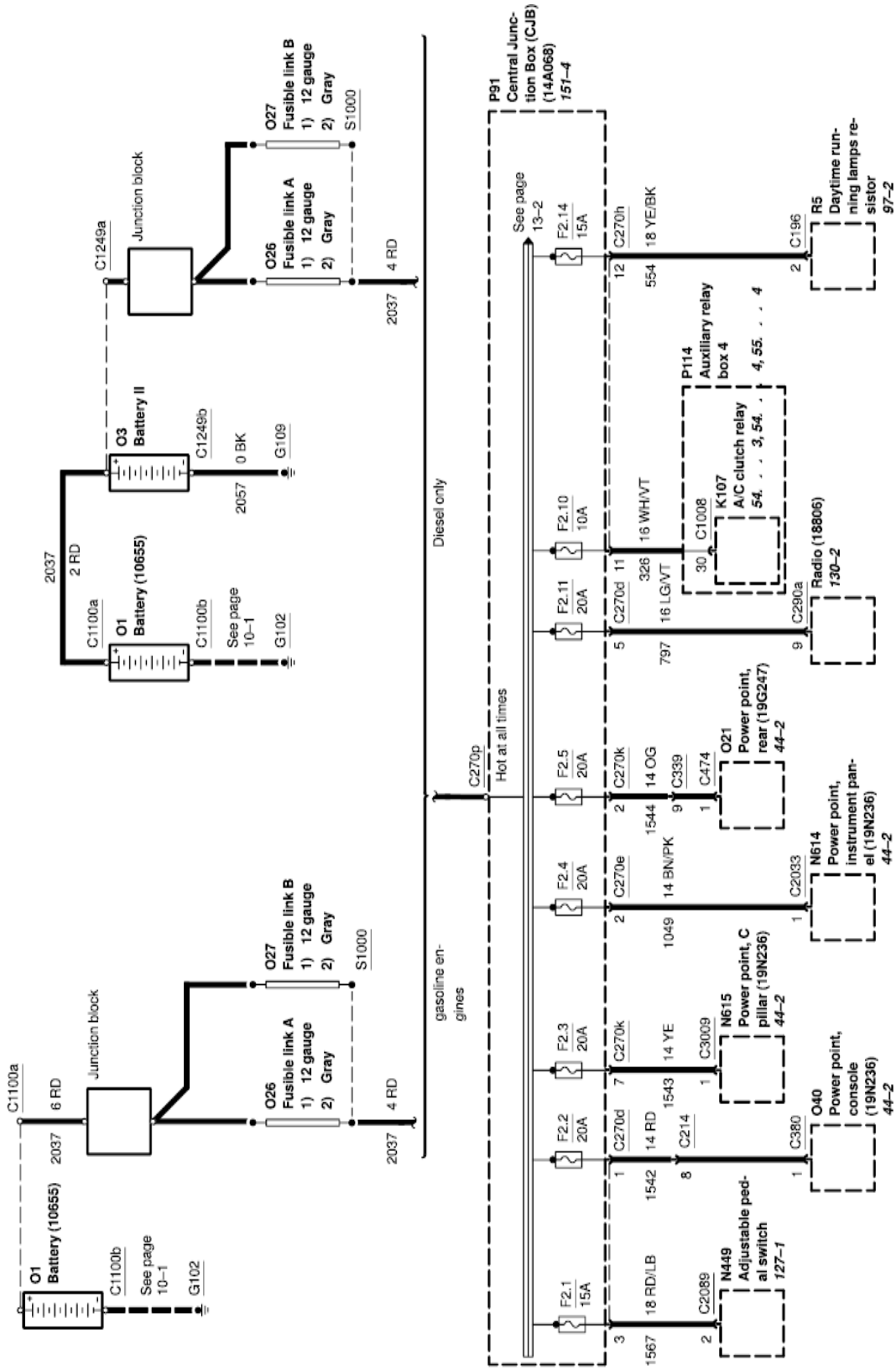


13-1 Power Distribution

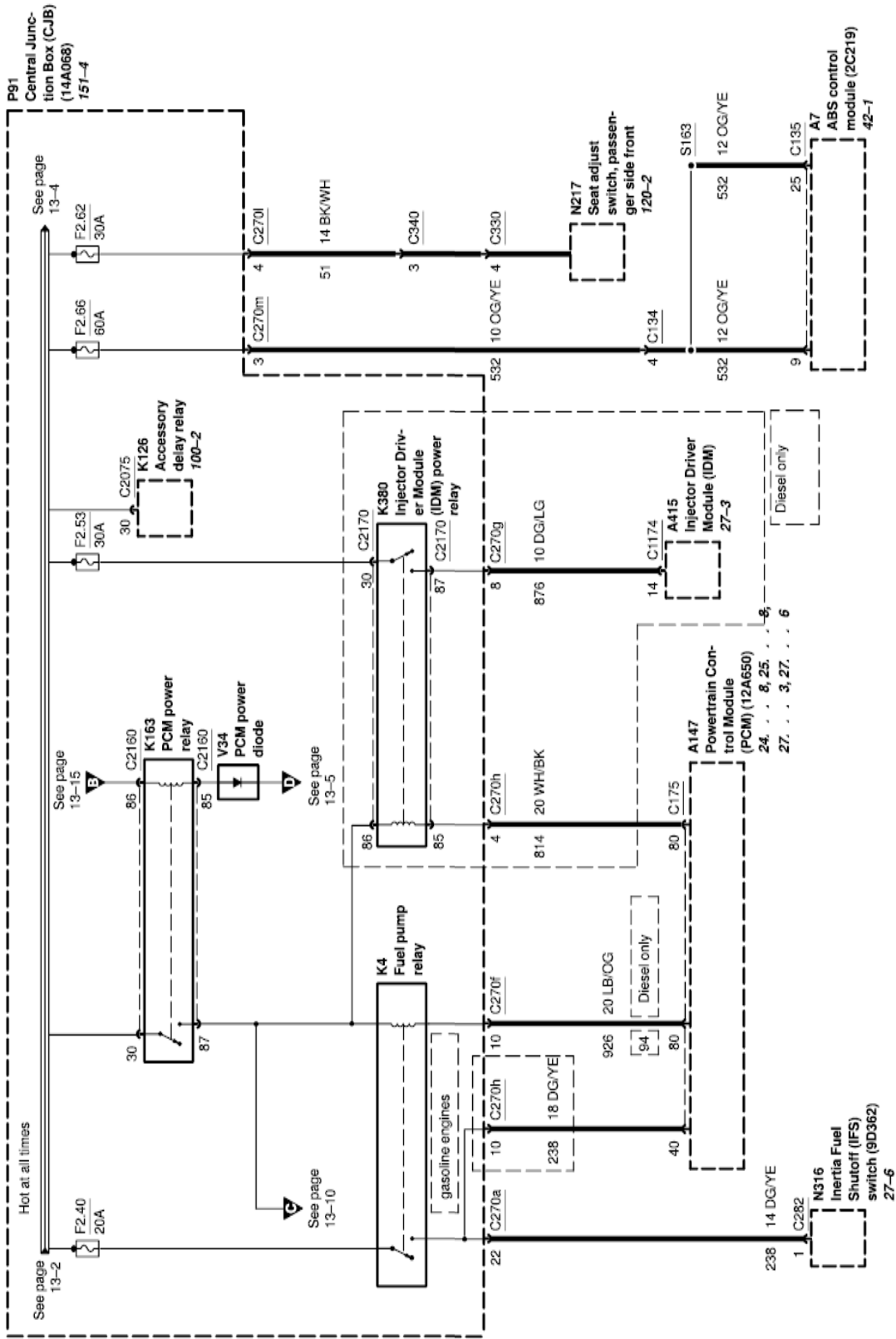
Excursion, F2.1, F2.2, F2.3, F2.4, F2.5, F2.10, F2.11, F2.14



Excursion, Super Duty Series F-250, F-350, F-450, F-550, . . . 02

13-3 Power Distribution

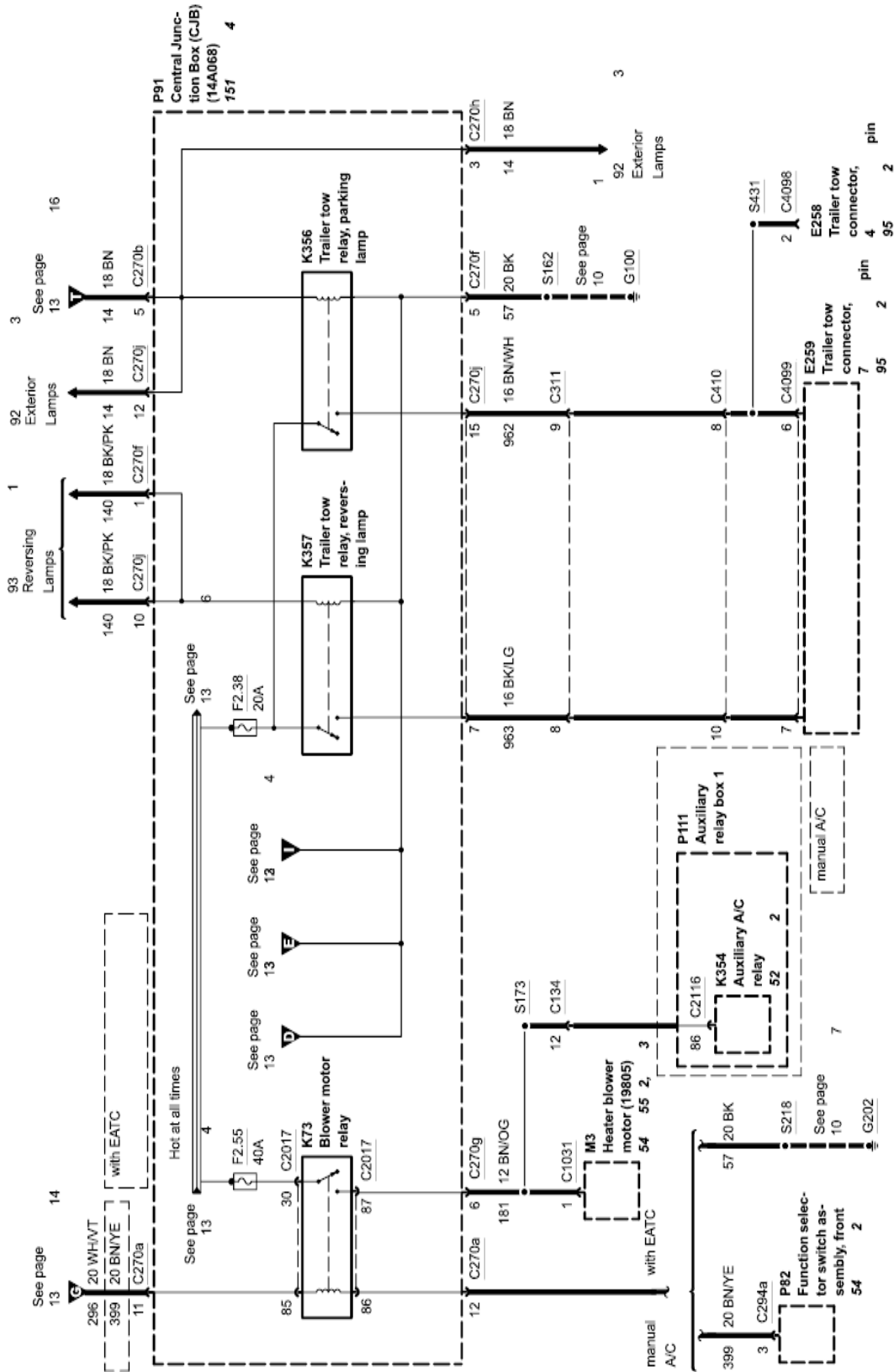
Excursion, F2.40, F2.53, F2.62, F2.66



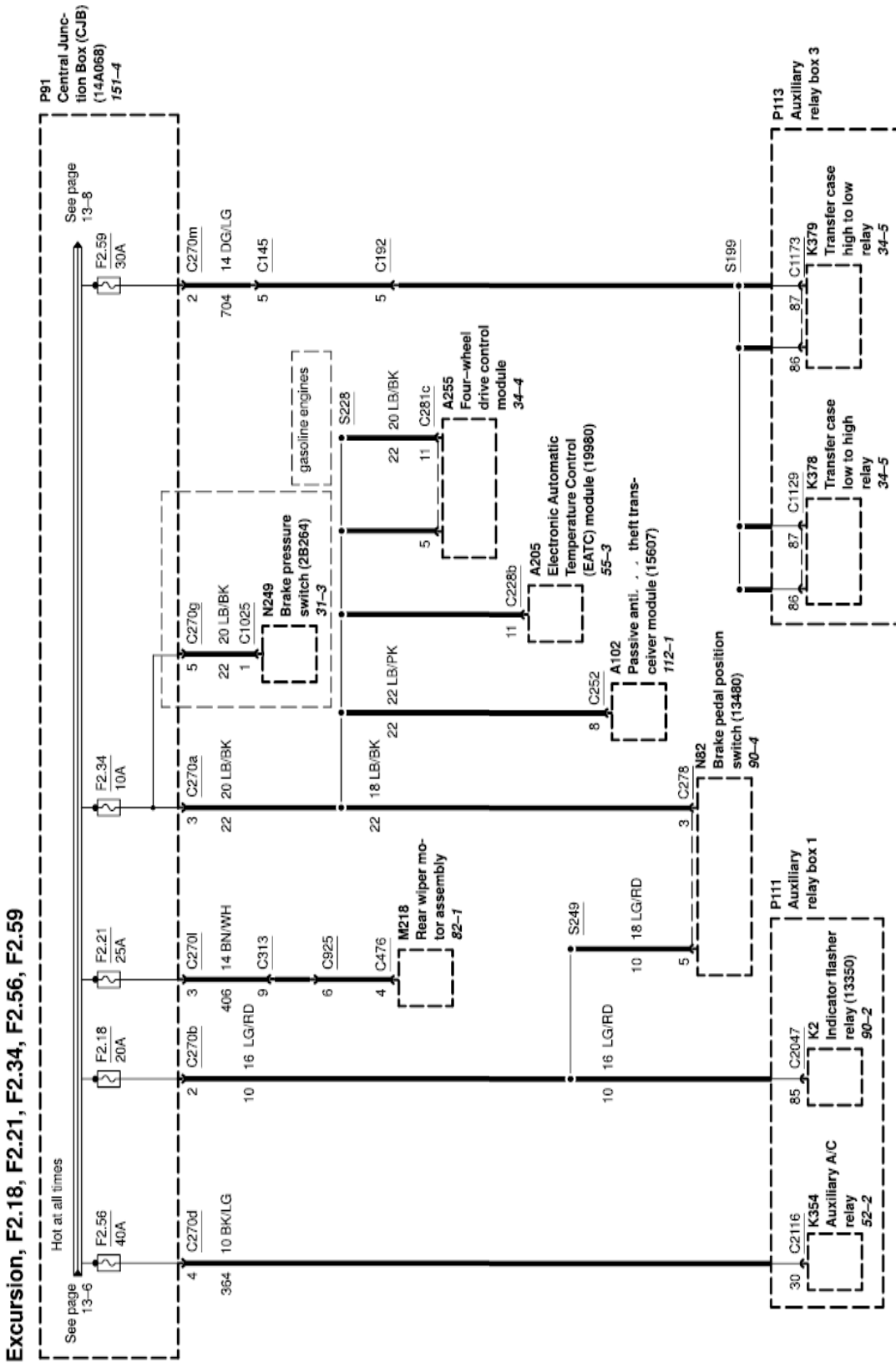
Excursion, Super Duty Series F-250, F-350, F-450, F-550, . . . 02

13-5 Power Distribution

Excursion, F2.38, F2.55

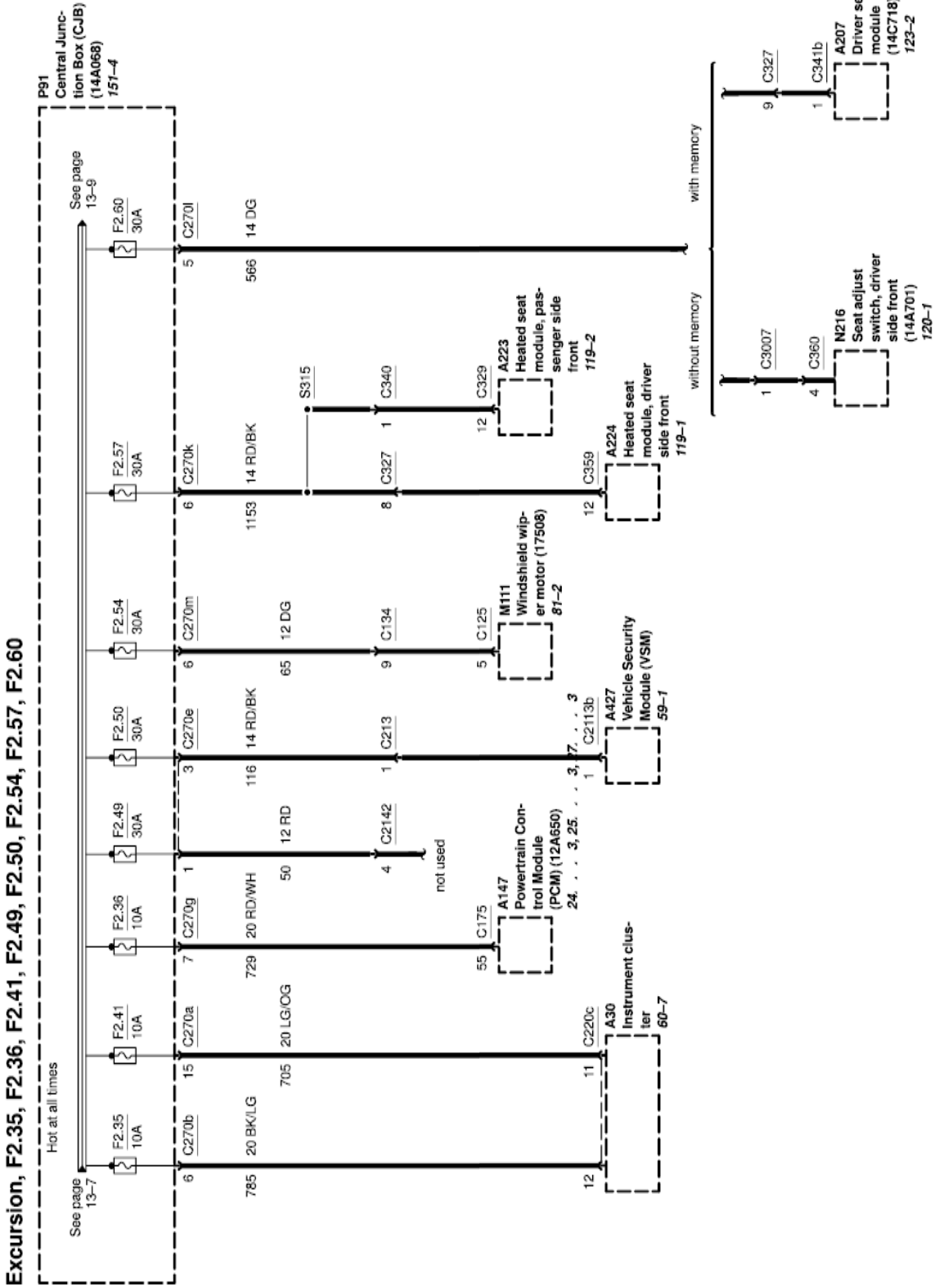


13-7 Power Distribution



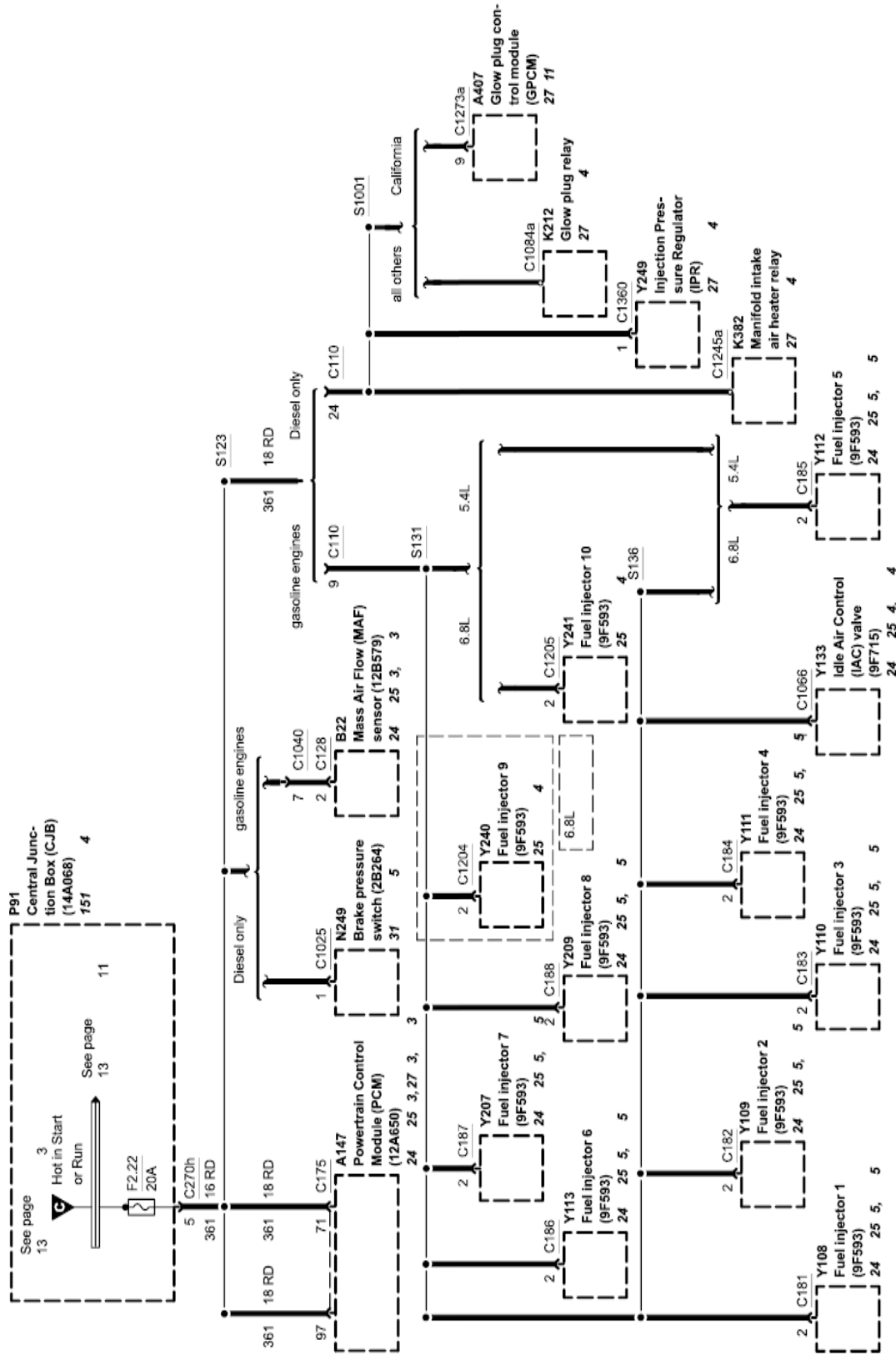
Excursion, Super Duty Series F-250, F-350, F-450, F-550, . . . 02

Power Distribution 13-8



Power Distribution 13-10

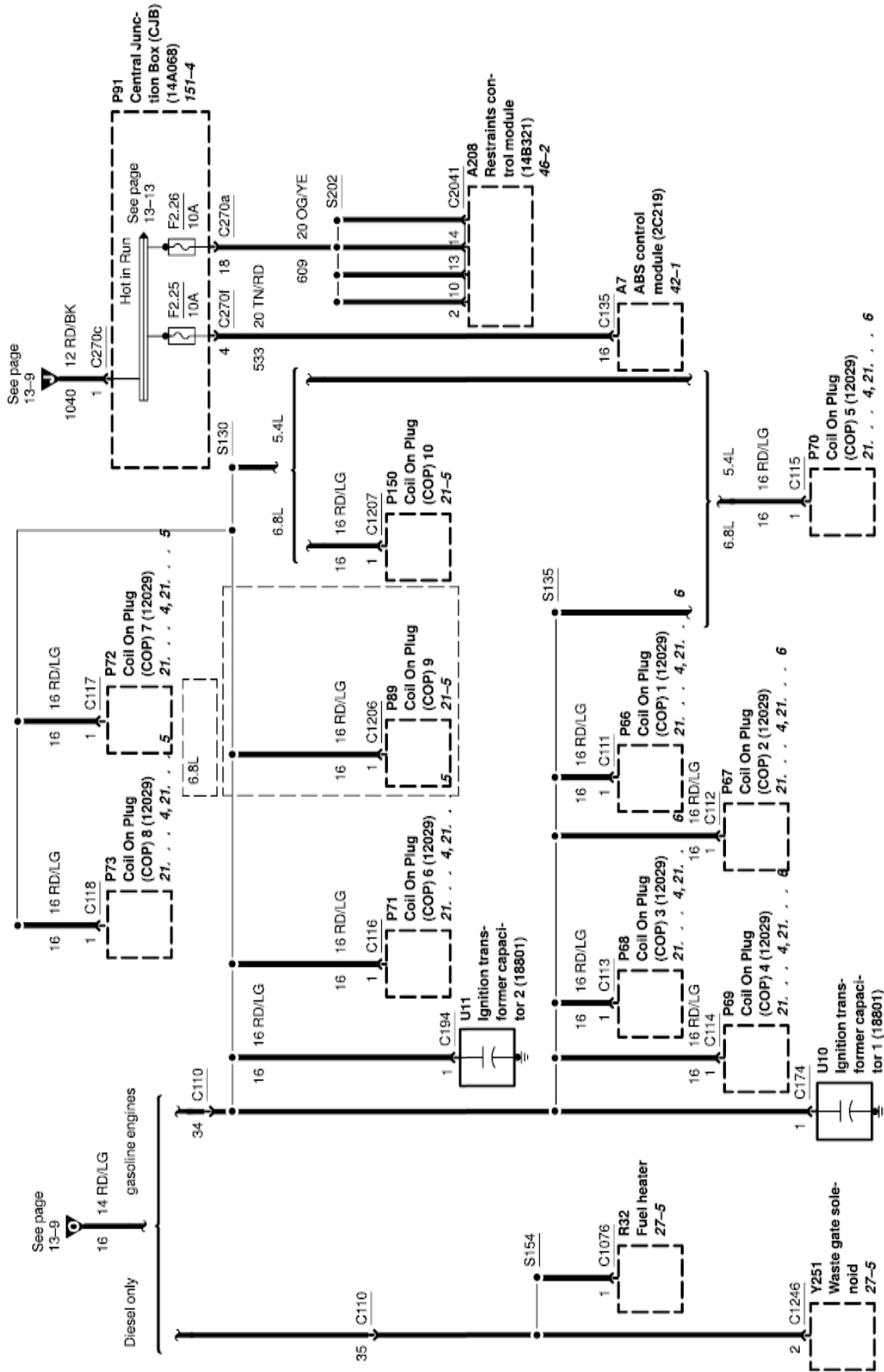
Excursion, F2.22



Excursion, Super Duty Series F-250, F-350, F-450, F-550

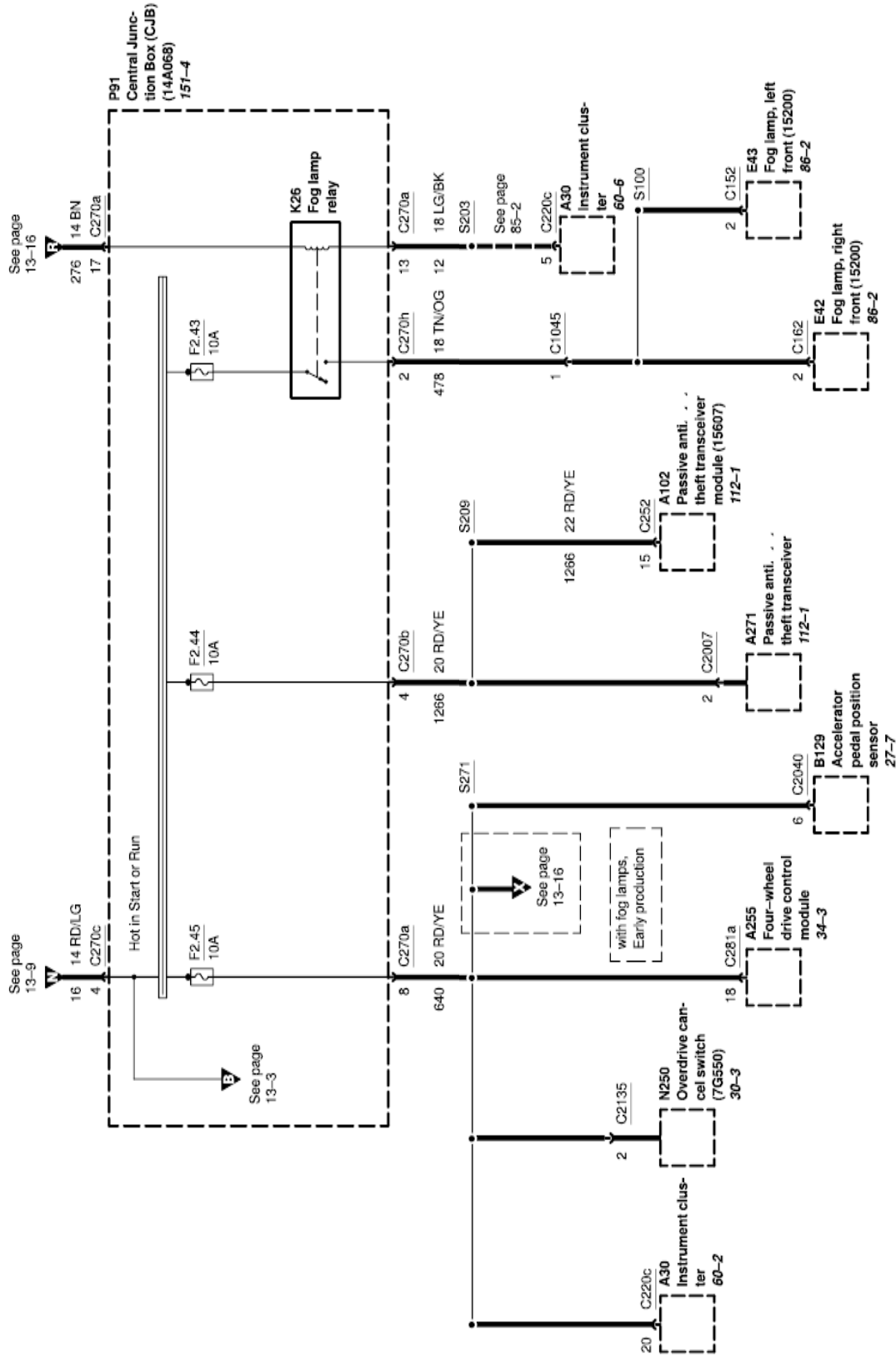
Power Distribution 13-12

Excursion, F2.25, F2.26



13-15 Power Distribution

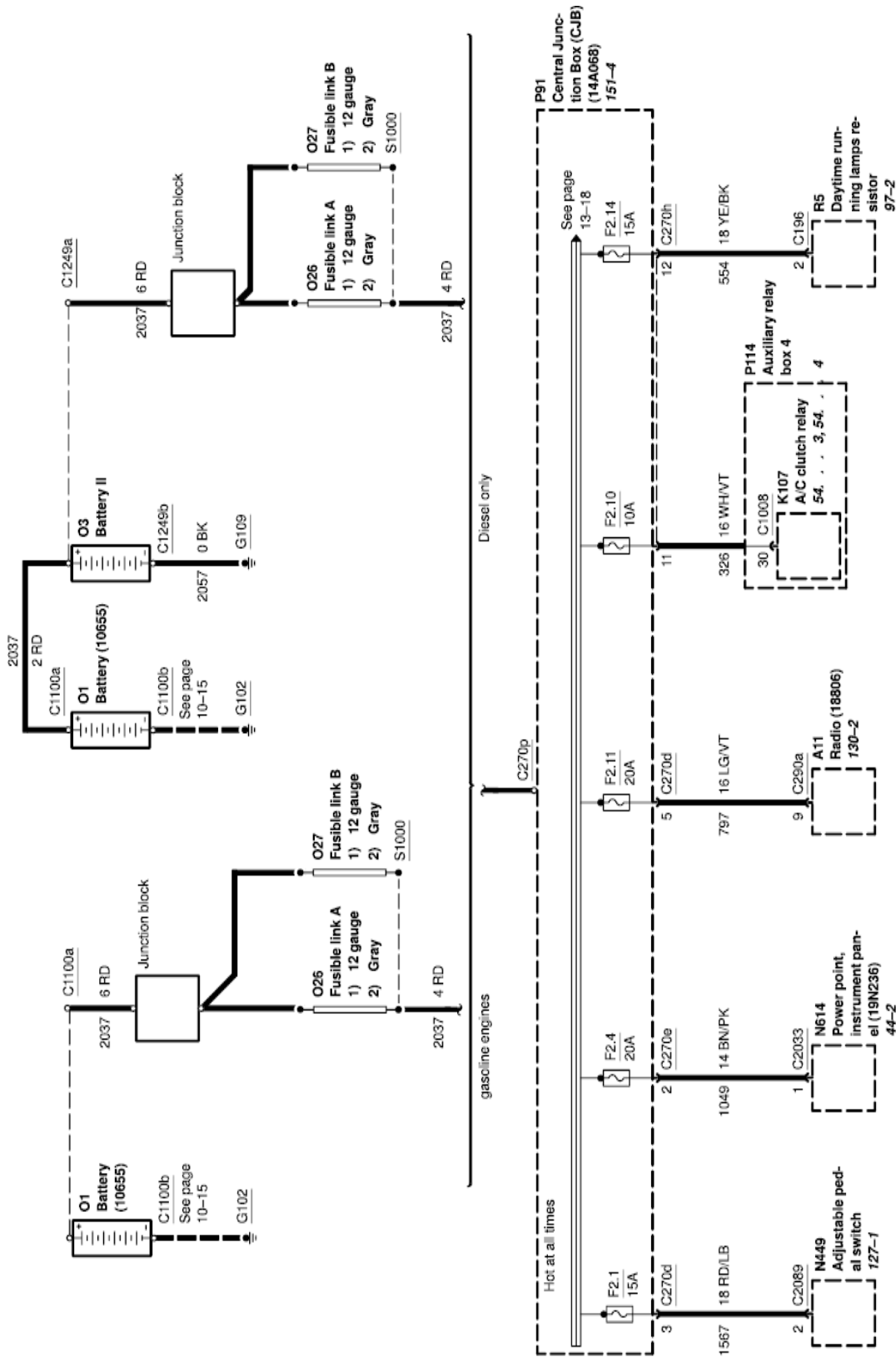
Excursion, F2.43, F2.44, F2.45



Excursion, Super Duty Series F-250, F-350, F-450, F-550, . . . 02

13-17 Power Distribution

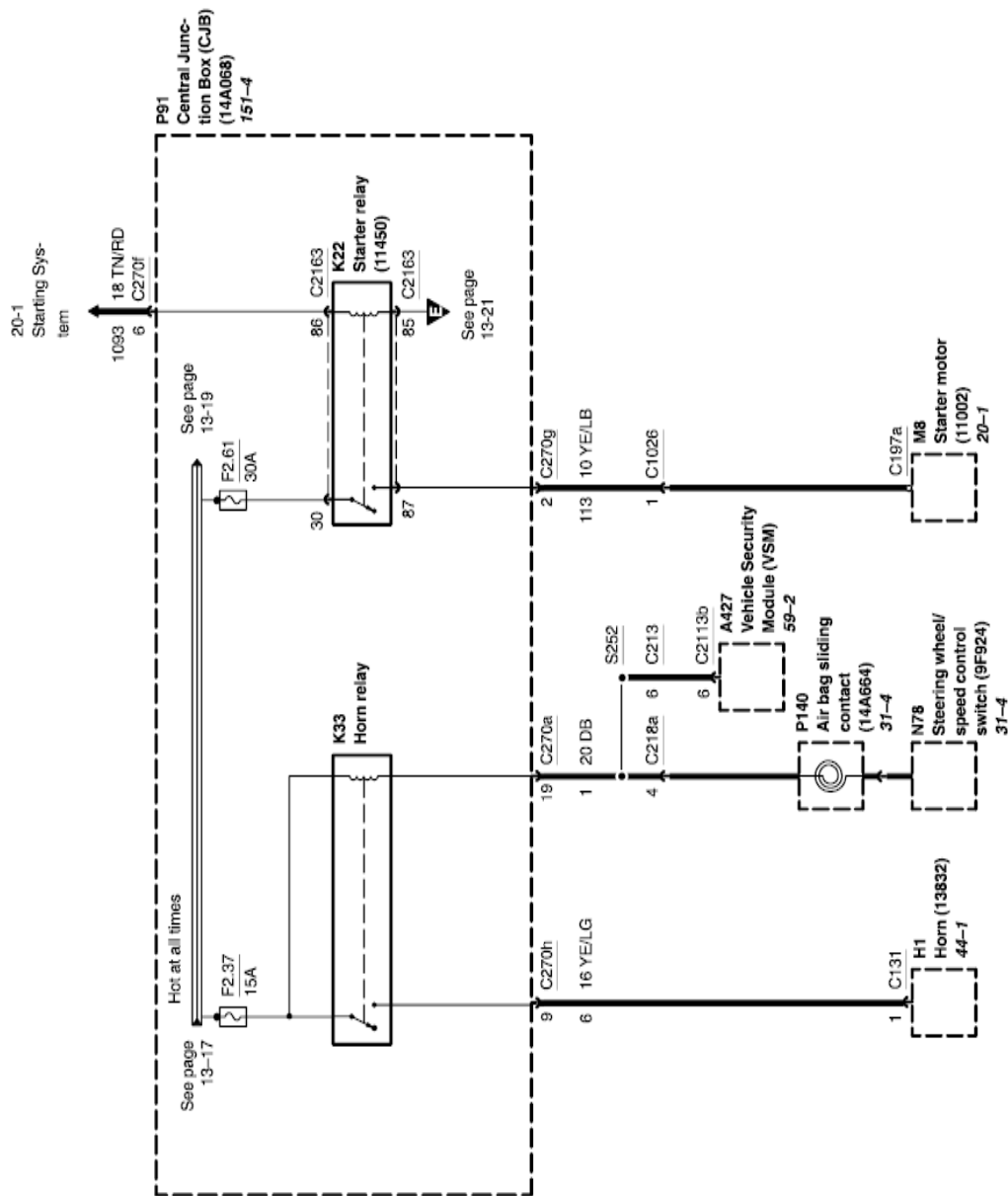
Pickup, F2.1, F2.4, F2.10, F2.11, F2.14



Excursion, Super Duty Series F-250, F-350, F-450, F-550, . . . 02

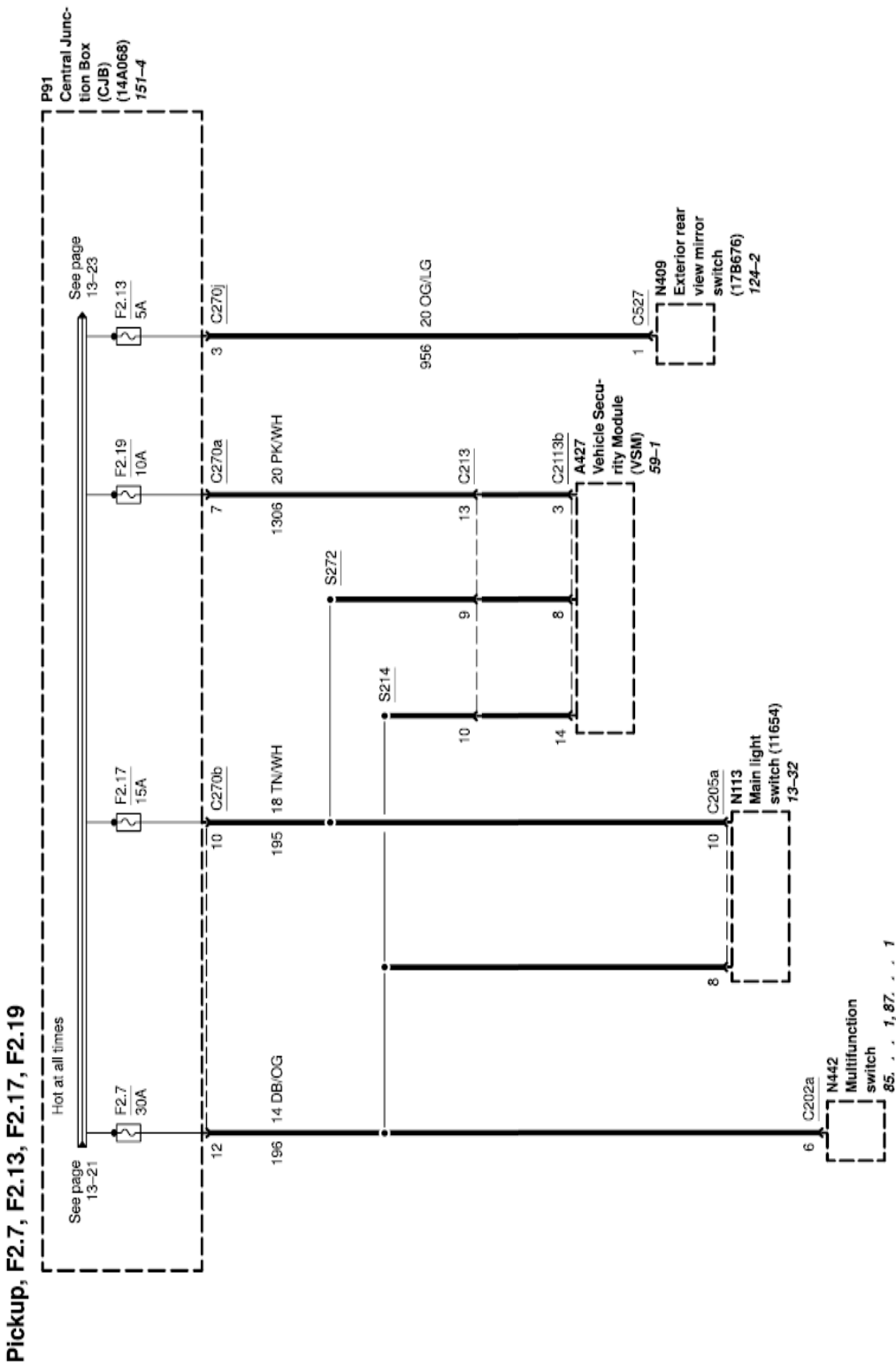
Power Distribution 13-18

Pickup, F2.37, F2.61

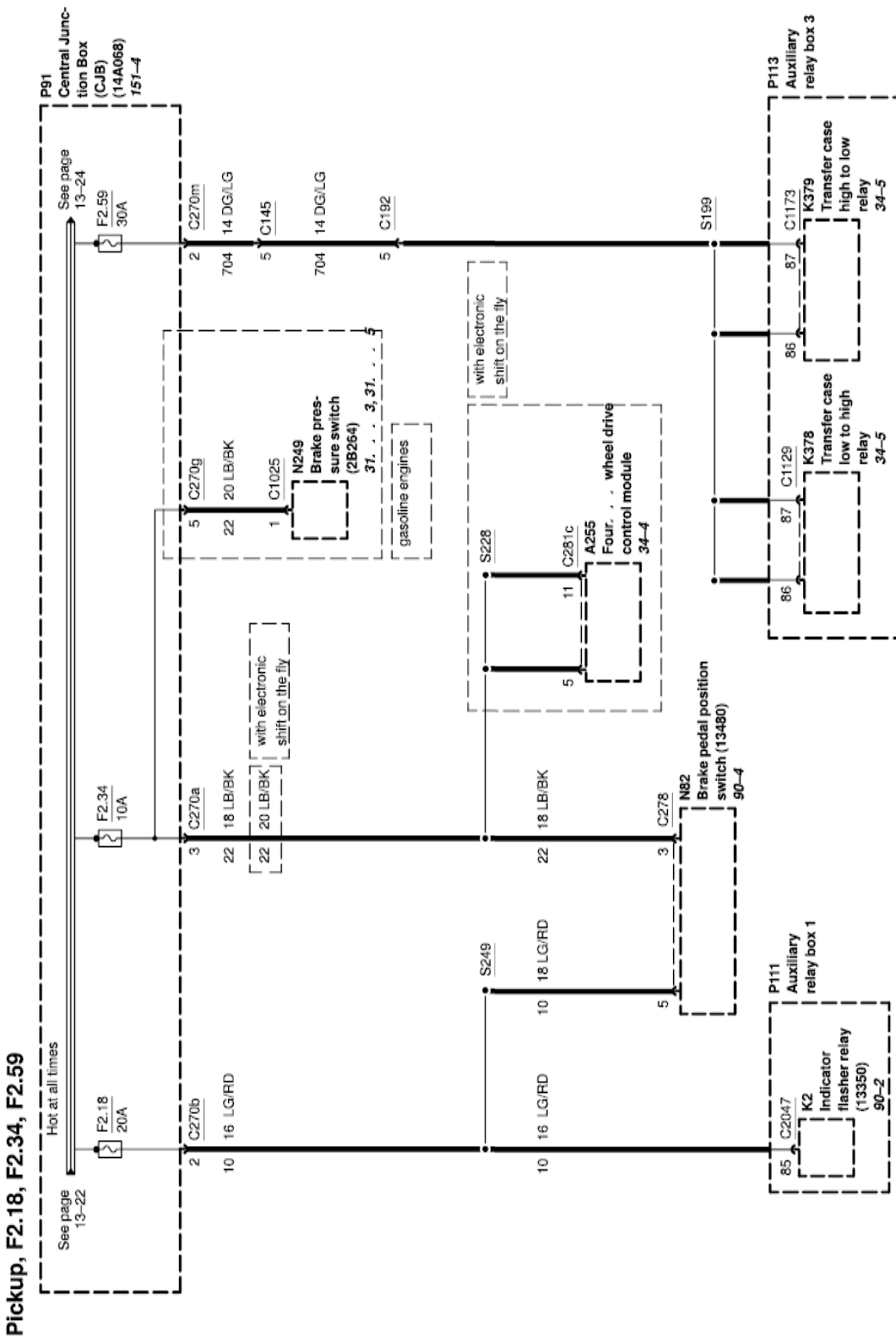


Excursion, Super Duty Series F-250, F-350, F-450, F-550 '02

Power Distribution 13-22

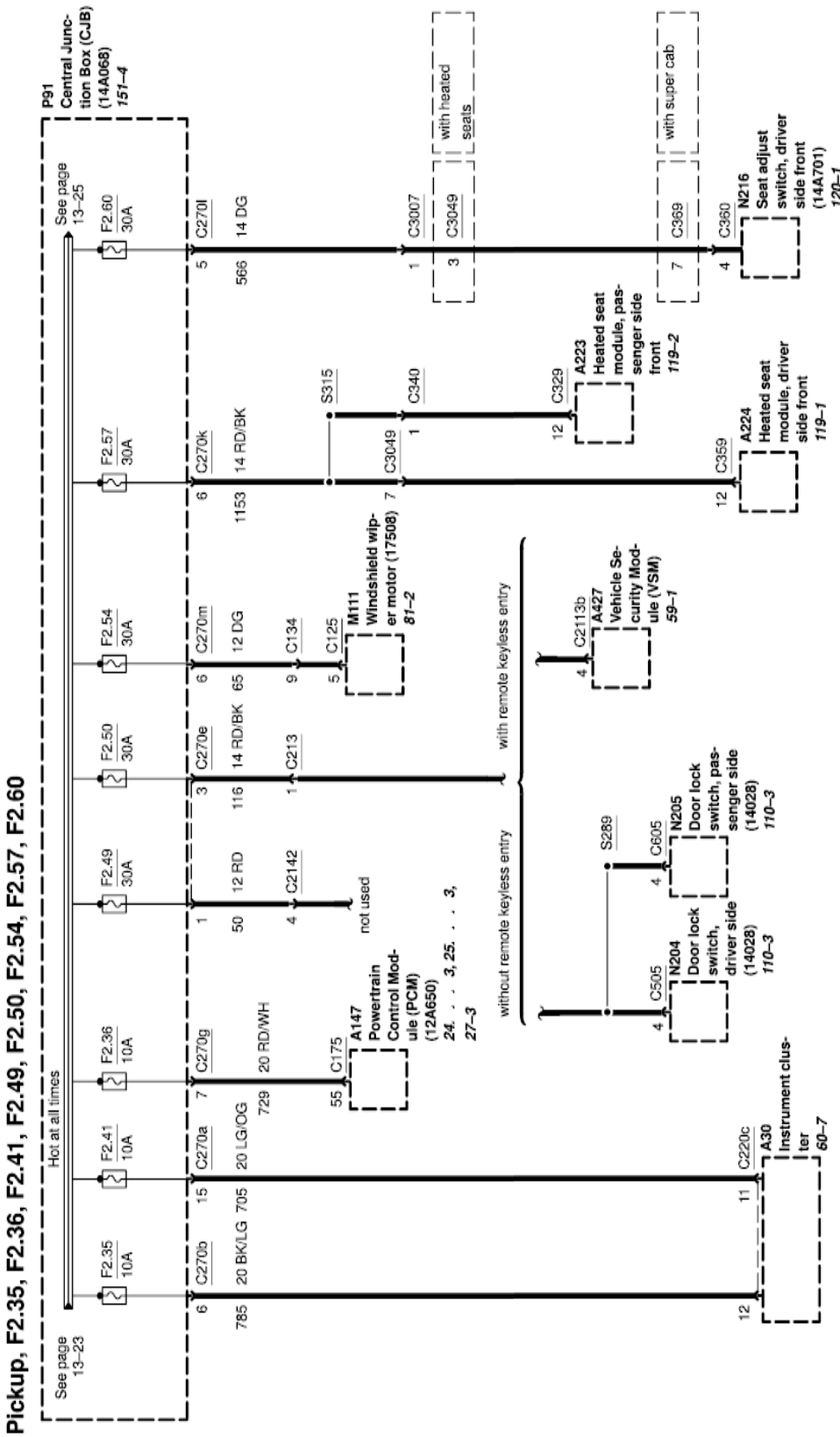


13-23 Power Distribution

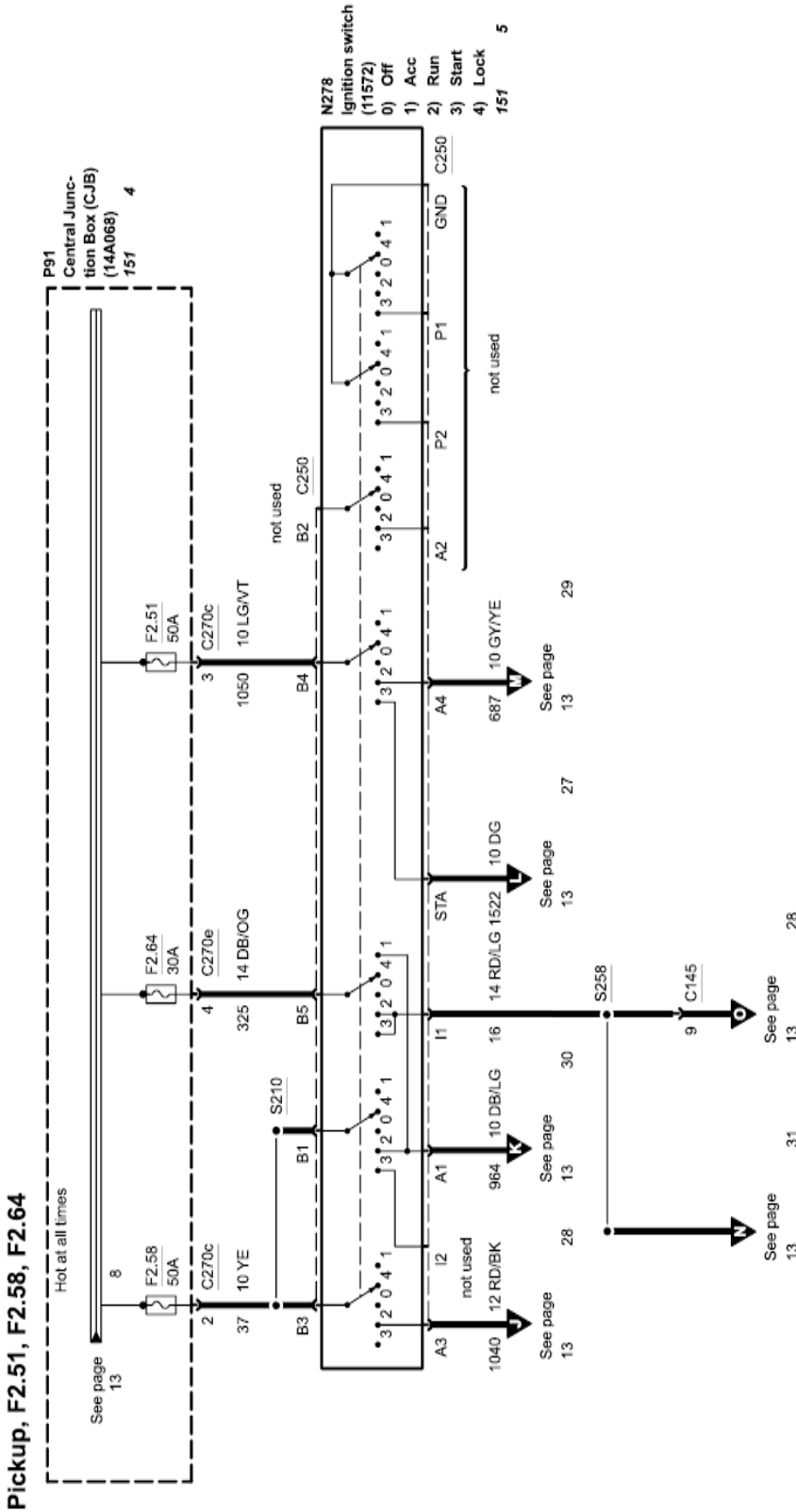


Excursion, Super Duty Series F-250, F-350, F-450, F-550, . . . 02

Power Distribution 13-24

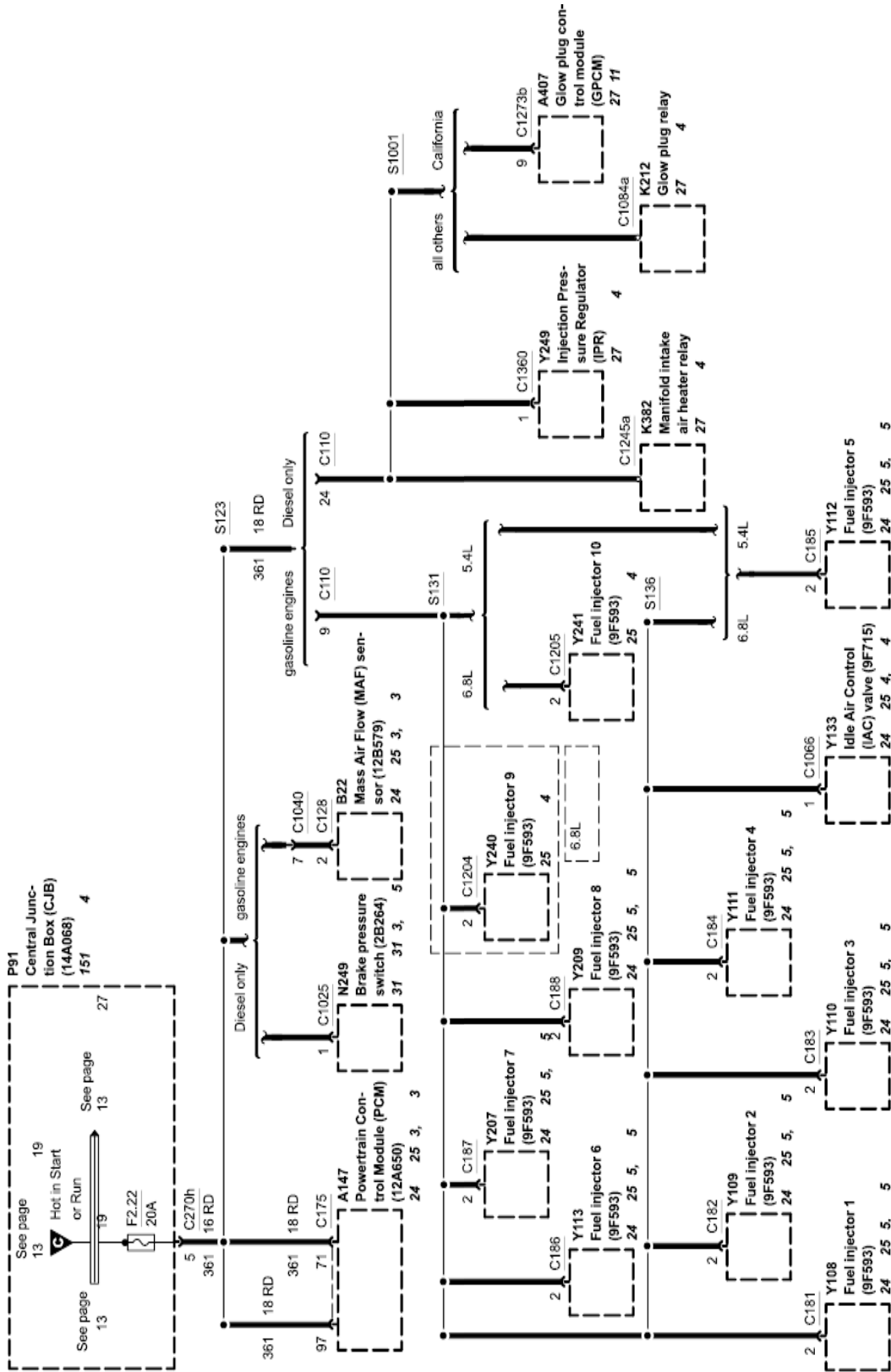


13-25 Power Distribution



Power Distribution 13 -26

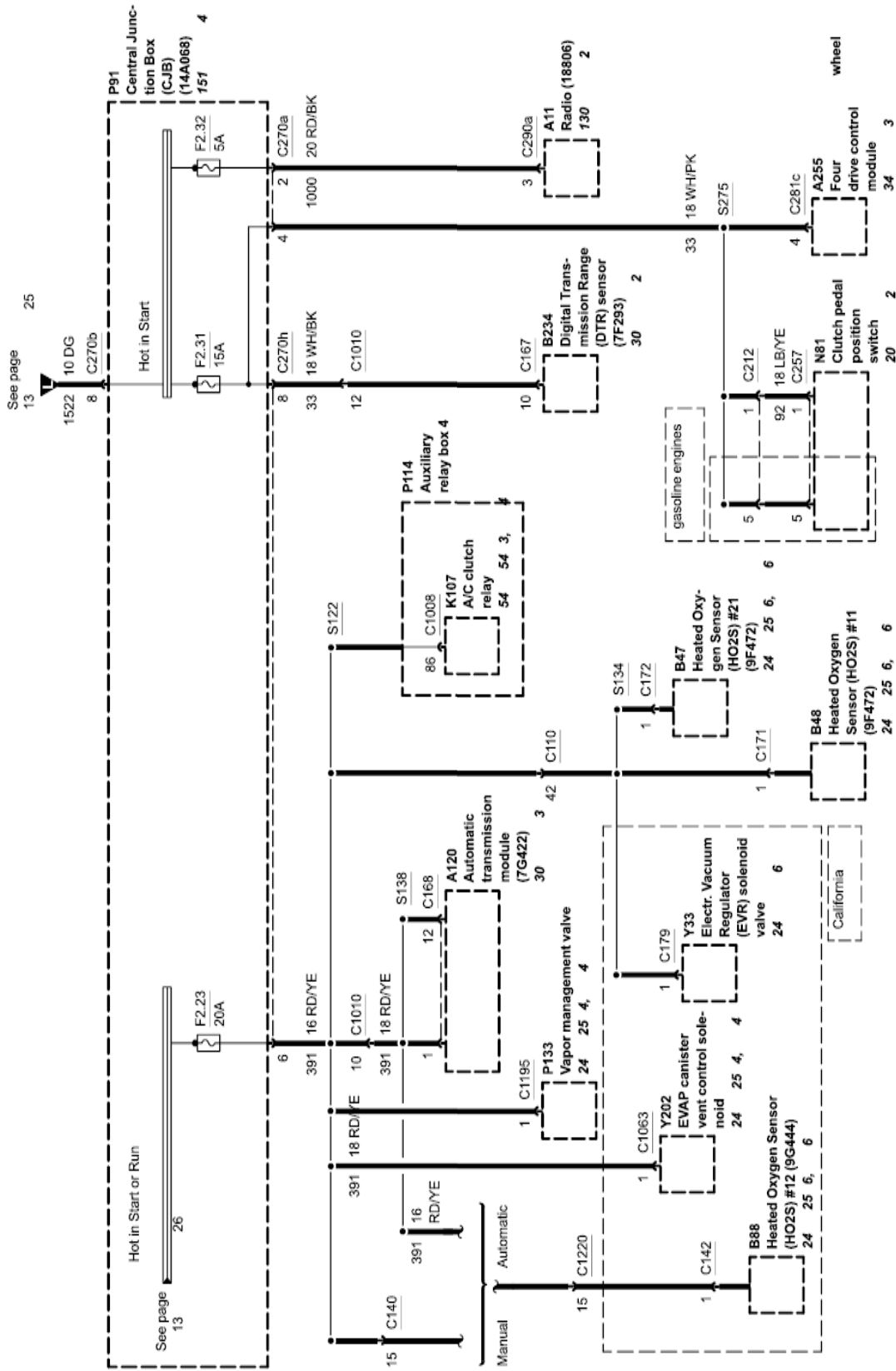
Pickup, F2.22



Excursion, Super Duty Series F-250, F-350, F-450, F-550

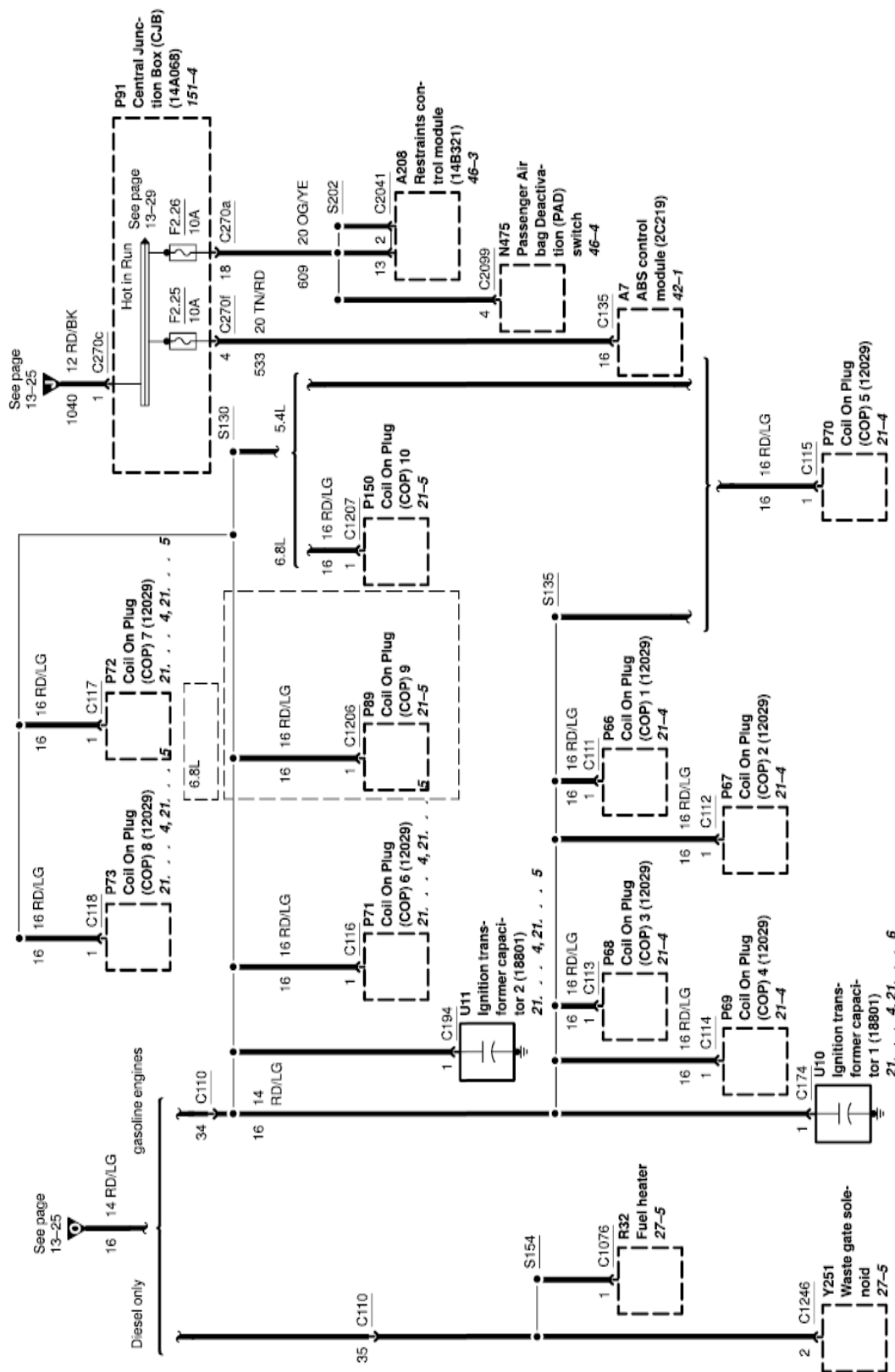
13-27 Power Distribution

Pickup, F2.23, F2.31, F2.32



Power Distribution 13-28

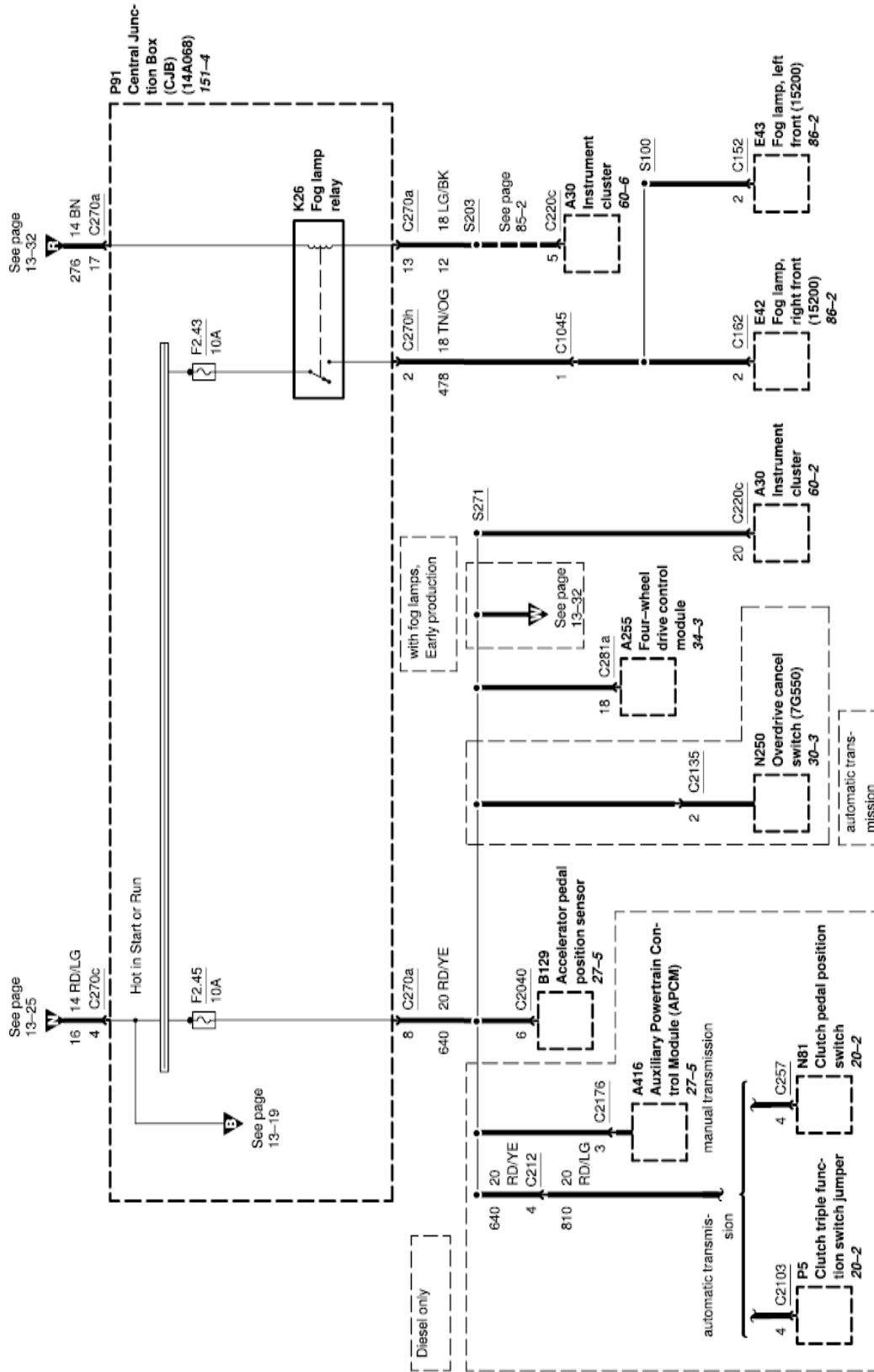
Pickup, F2.25, F2.26



Excursion, Super Duty Series F-250, F-350, F-450, F-550 . . . 02

13-31 Power Distribution

Pickup, F2.43, F2.45



Excursion, Super Duty Series F-250, F-350, F-450, F-550, . . . 02

Power Distribution 13-32

Pickup, F2.7, F2.17

