

# 2024 Table Of Contents

Attachment  
January 16, 2024

<b>SUBJECT</b>	<b>PAGE</b>
World Manufacturer Identifier	2
Restraints & Brakes	3
Check Digit & Model Year	4
Assembly Plant & Serialization	5
Generic Passenger Car Format	6
Ford Mustang	7
Generic Truck, Bus, MPV Format	8
Ford Bronco	9
Ford Bronco Sport	10
Ford Econoline	11
Ford Edge	12
Ford Escape	13
Ford Expedition	14
<b>Ford Explorer</b>	<b>15</b>
Ford F-150	16
Ford Maverick	17
Ford Motorhome-Stripped Chassis	18
Ford Mustang Mach-E	19
Ford Ranger	20
Ford Super Duty F-250 F-350	21
Ford Super Duty F-450 F-550 F600	22
Ford Super Duty F-650 F-750	23
Ford Transit	24-25
Lincoln Aviator	26
Lincoln Corsair	27
Lincoln Nautilus	28
Lincoln Navigator	29

# 2024 World Manufacturer Identifier

Attachment  
November 3, 2022

## World Manufacturer Identifier (VIN Positions 1, 2, and 3)

Code	Manufacturer	Type
<b>Passenger Cars</b>		
1FA	Ford Motor Company, USA	Passenger Car
<b>Generic Truck, Bus, MPV Format</b>		
1FB	Ford Motor Company, USA	Bus
1FM	Ford Motor Company, USA	Multipurpose Passenger Vehicle
1FT	Ford Motor Company, USA	Truck - Completed Vehicle
2FM	Ford Motor Company of Canada, Ltd.	Multipurpose Passenger Vehicle
2LM	Ford Motor Company of Canada, Ltd.	Multipurpose Passenger Vehicle
3FM	Ford Motor Company, Mexico	Multipurpose Passenger Vehicle
3FT	Ford Motor Company, Mexico	Truck - Completed Vehicle
5LM	Ford Motor Company, USA	Multipurpose Passenger Vehicle
NM0	Ford Motor Company, Europe	Truck - Completed Vehicle
<b>Incomplete Vehicles</b>		
1FC	Ford Motor Company, USA	Basic (Stripped) Chassis
1F6	Detroit Chassis LLC, USA	Basic (Stripped) Chassis
1FD	Ford Motor Company, USA	Incomplete Vehicle
5LD	Ford Motor Company, USA	Incomplete Vehicle - Limousine

2024 Restraints & Brakes

**Restraint, Brake System and GVWR Class**  
(VIN Position 4)

Vehicle Type	Brake System	GVWR Class **	GVWR Range	1	2	3	4	5	6	7	8	9	10	11	12	13	14	15	16	17	18	19
Passenger Car	-	-	-	K		F	B	H		6	D	U	5				G				R	T
MPV, Truck	Hydraulic	Class A:	Less than 3,000																			
Generic Passenger Car Format	Hydraulic	Class B:	3,001-4,000		A	B				3												
MPV, Truck	Hydraulic	Class C:	4,001-5,000			Y	K	A		6	C				7							
MPV, Truck	Hydraulic	Class D:	5,001-6,000			Z	L	D	G	P	T	U	S		8						4	
MPV, Truck	Hydraulic	Class E:	6,001-7,000		R	6	M	E	H	B	F	W	5	2								K
MPV, Truck	Hydraulic	Class F:	7,001-8,000	B	V	R	N	F	J		H		Y						W			
MPV, Truck	Hydraulic	Class G:	8,001-8,500				P	V														
Truck, Bus	Hydraulic	Class G:	8,501-9,000	H	C	N	Y	6	Z								K					1
Truck, Bus	Hydraulic	Class H:	9,001-10,000	J	D	S	B	7	A								L					2
Truck, Bus	Hydraulic	Class 3:	10,001-14,000	K	E	W	R	8	V								M					3
Truck, Bus	Hydraulic	Class 4:	14,001-16,000	L	F	X	T	9														4
Truck, Bus	Hydraulic	Class 5:	16,001-19,500	M	G	A	U	0														5
Truck, Bus	Hydraulic	Class 6:	19,501-26,000	N			F															6
Truck, Bus	Hydraulic	Class 7:	26,001-33,000	P																		
Truck, Bus	Air	Class 6:	19,501-26,000	W																		
Truck, Bus	Air	Class 7:	26,001-33,000	X																		
Truck, Bus	Air	Class 8:	33,001-55,000	Y																		

Restraint Category	Restraint Devices and Location
1	Manual Belts WITHOUT Air Bags
2	Manual Belts with Driver Frontal Air Bag ONLY
3	Manual Belts with Driver and Passenger Frontal Air Bags
4	Manual Belts with Driver and Passenger Frontal Air Bags and Side Inflatable Restraint (1st row)
5	Manual Belts with Driver and Passenger Frontal Air Bags and Side Inflatable Restraint (1st & 2nd Row)
6	Manual Belts with Driver and Passenger Frontal Air Bags and Side Inflatable Restraint (1st, 2nd, 3rd Row & add'l rows)
7	Manual Belts with Driver and Passenger Frontal Air Bags and Side Inflatable Restraint (1st & 2nd Row) and Driver/Passenger Knee Restraints
8	Manual Belts with Driver and Passenger Frontal Air Bags and Side Inflatable Restraint (1st & 2nd Row) and Driver Knee Restraint
9	Manual belts with Driver and Passenger Frontal Air Bags and Side Inflatable Restraint (1st, 2nd, &3rd Row) and Driver Knee Restraint
10	Manual belts with Driver and Passenger Frontal Air Bags and Side Inflatable Restraint (1st, 2nd, &3rd Row) and Passenger Knee Restraint
11	Manual belts with Driver and Passenger Frontal Air Bags and Side Inflatable Restraint (1st, 2nd, &3rd Row) and Passenger Knee Restraint
12	Manual Belts with Driver Only Frontal Air Bags and Driver Only Side Inflatable Restraint (1st Row)
13	Manual Belts with Driver Only Frontal Airbags and Side Inflatable Restraints (1st Row)
14	Manual Belts with Driver and Passenger Frontal Air Bags and Side Inflatable Restraint (1st Row) and Driver/Passenger Knee Restraints
15	Manual Belts with Driver and Passenger Frontal Air Bags and Driver Knee Restraint
16	Manual Belts with Driver and Passenger Frontal Air Bags and Side Inflatable Restraint (1st Row) and Driver Knee Restraint
17	Manual Belts with Driver and Passenger Frontal Air Bags and Side Inflatable Restraint (1st Row) and Passenger Knee Restraints
18	Manual Belts with Driver and Passenger Frontal Air Bags and Side Inflatable Restraint (1st & 2nd Row) and Passenger Knee Restraints
19	No Restraints

# 2024 Check Digit & Model Year

Attachment  
November 3, 2022

## Check Digit (VIN Position 9)

See Paragraph 565.15 of Part 565.  
The check digit must have a value of 0, 1, 2, 3, 4, 5, 6, 7, 8, 9, or X.

## Vehicle Model Year (VIN Position 10)

<u>VIN Code</u>	<u>YEAR</u>	<u>VIN CODE</u>	<u>YEAR</u>
4	2004	N	2022
5	2005	P	2023
6	2006	<b>R</b>	<b>2024</b>
7	2007	S	2025
8	2008	T	2026
9	2009	V	2027
A	2010	W	2028
B	2011	X	2029
C	2012	Y	2030
D	2013	1	2031
E	2014	2	2032
F	2015	3	2033
G	2016	4	2034
H	2017	5	2035
J	2018	6	2036
K	2019	7	2037
L	2020	8	2038
M	2021	9	2039

**Vehicle Assembly Plant  
(VIN Position 11)**

CODE	Vehicle Assembly Plant Name: Location
B	Oakville: Oakville, Ontario
D	Ohio Assembly: Avon Lake, Ohio
E	Kentucky Truck: Louisville, Kentucky
F	Dearborn: Dearborn, Michigan
G	Chicago: Chicago, Illinois
J	Hangzhou: Hangzhou, China
K	Kansas City; Claycomo, Missouri
L	Michigan Assembly: Wayne, Michigan
M	Cuautitlan: Cuautitlan, Mexico
N	Chicago SHO Center, Chicago, Illinois
R	Hermosillo: Hermosillo, Mexico
W	Rouge Electric: Dearborn, MI
0	Detroit Empowerment Zone: Detroit, MI*
5	Flat Rock Assembly Plant (AAI): Flat Rock, MI
1	Valencia Assembly Plant; Valencia, Spain
U	Louisville Assembly Plant: Louisville, Kentucky
4	Saarlouis Assembly Plant; Saarlouis, Germany

\* Detroit Chassis LLC and MSX International

**Sequential Vehicle Identifier  
(VIN Positions 12 through 17)**

**Passenger Cars:**

A unique six digit numeric sequence code is assigned to each passenger car by the vehicle assembly plant of manufacture.

100001 thru 599999

**Trucks, MPVs, Buses and Incomplete Vehicles:**

A unique six digit alphanumeric sequence code is assigned for trucks, buses, MPV's, and related incomplete vehicles.

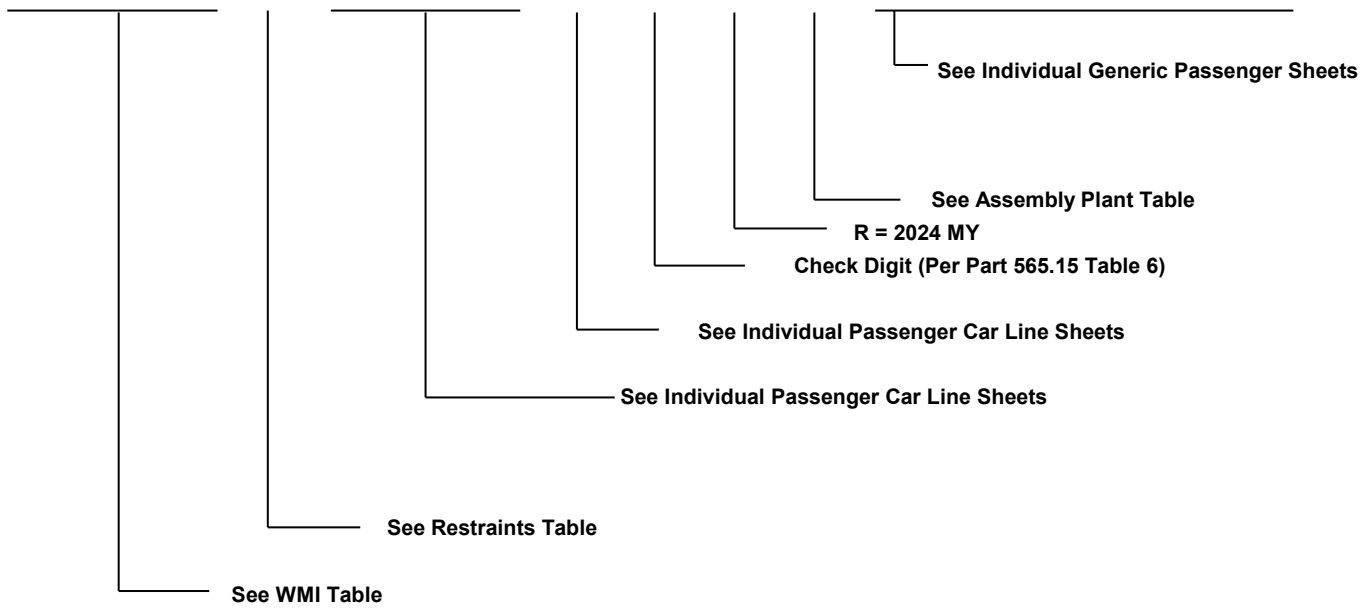
A00001 thru H99999 - Ford Division Vehicles  
L00001 thru L99999 - Lincoln Division Vehicles  
000001 thru 999999- Lincoln Nautilus

# 2024 Generic Passenger Car Format

Attachment  
November 3, 2022

World Manufacturer Identifier (WMI)			Restraint System Category	Make, Car Line, Series, Body Type			Engine Type - Displacement, Cylinders, Fuel Type Manufacturer and Horsepower	VIN Check Digit (0-9 or X)	Vehicle Model Year	Plant of Manufacture	Numerical Sequence Vehicle Identifier					
1	2	3	4	5	6	7	8	9	10	11	12	13	14	15	16	17

?	?	?	?	?	?	?	?	?	R	?	?	?	?	?	?	?
---	---	---	---	---	---	---	---	---	---	---	---	---	---	---	---	---

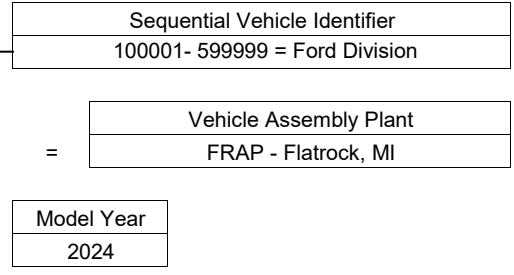


# 2024 MY Ford Mustang

Attachment  
February 8, 2023

World Manufacturer Identifier (WMI)			Restraint System Category	Make, Car Line, Series, Body Type	Engine Type - Displacement, Cylinders, Fuel Type, Manufacturer	VIN Check Digit (0-9 or X)	Vehicle Model Year	Plant of Manufacture	Numerical Sequence Vehicle Identifier							
1	2	3	4	5	6	7	8	9	10	11	12	13	14	15	16	17

1	F	A	?	P	8	?	?	?	R	5	?	?	?	?	?	?
---	---	---	---	---	---	---	---	---	---	---	---	---	---	---	---	---



Check Digit (Per Part 565.6(c))

	Displacement (L) / Cyl	Fuel	Mfg
F	5.0L 4V	V-8	Gasoline
H	2.3L 4V	I-4	Gasoline
0	5.0L TIVCT	V-8	Gasoline

	Make	Line	Series	Body Type
P8C	Ford	Mustang	GT Coupe	2-Dr. Sedan
P8F	Ford	Mustang	GT Convertible	2-Dr. Sedan
P8T	Ford	Mustang	I4 Coupe	2-Dr. Sedan
P8U	Ford	Mustang	I4 Convertible	2-Dr. Sedan
P8R	Ford	Mustang	Dark Horse Coupe	2-Dr. Sedan

Restraint Category								
	Manual Belts	Driver Frontal	Pass. Frontal	Side Inflatable			Driver Knee	Pass Knee
				1st Row	2nd Row	3rd Row		
6	X	X	X	X	X		x	x
G	X	X	X	X			x	x

COUPE  
CONVERTIBLE

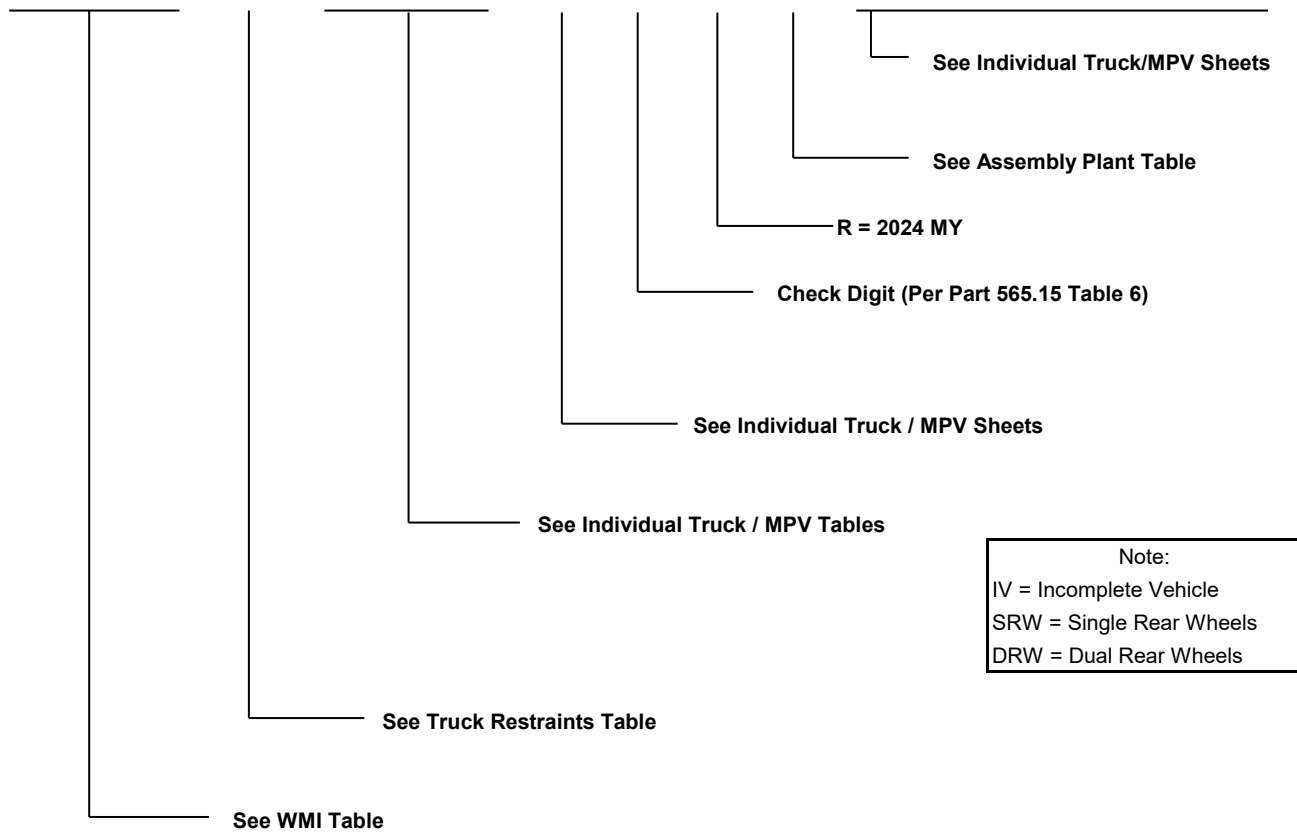
1FA	=	Manufacturer	Type
		Ford Flatrock Assembly	Passenger Car

# 2024 Generic Truck, Bus, MPV Format

Attachment  
November 3, 2022

World Manufacturer Identifier (WMI)			Brake System / GVWR / Restraint System Category	Make, Line, Series, Chassis Type, Cab or Body Type, Vehicle Type	Engine Type - Displacement, Cylinders, Fuel Type Manufacturer and Horsepower	VIN Check Digit (0-9 or X)	Vehicle Model Year	Plant of Manufacture	Alphanumeric Sequence Vehicle Identifier							
1	2	3	4	5	6	7	8	9	10	11	12	13	14	15	16	17

?	?	?	?	?	?	?	?	?	R	?	?	?	?	?	?	?
---	---	---	---	---	---	---	---	---	---	---	---	---	---	---	---	---



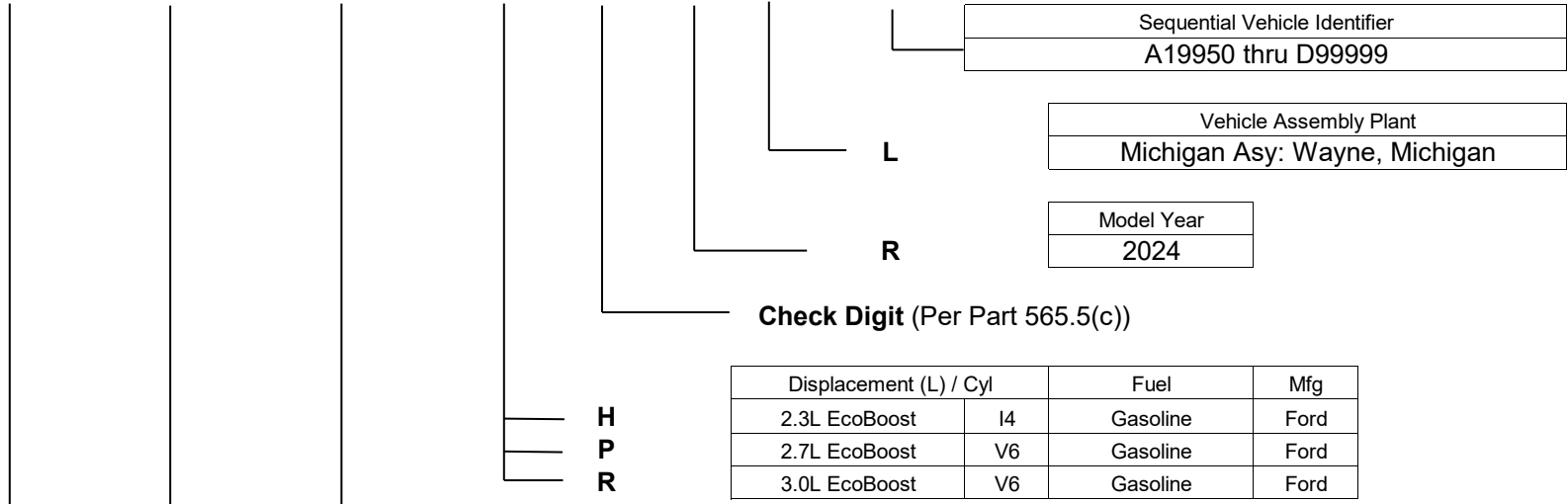
<p>Note: IV = Incomplete Vehicle SRW = Single Rear Wheels DRW = Dual Rear Wheels</p>
--



### 2024 MY Ford Bronco

World Manufacturer Identifier (WMI)			Brake System / GVWR / Restraint System	Line, Series, Chassis Type Cab or Body Type			Engine Type - Displ., Cylinders, Fuel Type, Mfg.	VIN Check Digit (0-9 or X)	Vehicle Model Year	Plant of Manufacture	Numerical Sequence Vehicle Identifier					
1	2	3	4	5	6	7	8	9	10	11	12	13	14	15	16	17

1	F	M	?	E	?	?	?	?	R	L	?	?	?	?	?	?
---	---	---	---	---	---	---	---	---	---	---	---	---	---	---	---	---



	Make	Line	Series	Chassis Type	Cab or Body Type
—	Ford	Bronco	Big Bend	4x4	2 Door
—	Ford	Bronco	Big Bend	4x4	4 Door
—	Ford	Bronco	Black Diamond	4x4	2 Door
—	Ford	Bronco	Black Diamond	4x4	4 Door
—	Ford	Bronco	Outer Banks	4x4	4 Door
—	Ford	Bronco	Badlands	4x4	2 Door
—	Ford	Bronco	Badlands	4x4	4 Door
—	Ford	Bronco	Wildtrak	4x4	2 Door
—	Ford	Bronco	Wildtrak	4x4	4 Door
—	Ford	Bronco	Everglades	4x4	4 Door
—	Ford	Bronco	Raptor	4x4	4 Door
—	Ford	Bronco	Heritage	4x4	2 Door
—	Ford	Bronco	Heritage	4x4	4 Door
—	Ford	Bronco	Heritage Limited	4x4	2 Door
—	Ford	Bronco	Heritage Limited	4x4	4 Door

Brake System	GVWR		Restraints						
	Class	Range (lbs)	Manual Belts	Driver Frontal	Pass. Frontal	Side inflatable			Driver Knee
Hydraulic	D	5001 - 6000	x	x	x	1st Row	2nd Row	3rd Row	
Hydraulic	E	6001 - 7000	x	x	x	x	x		

Manufacturer	Make	Type
Ford Motor Company, USA	Ford	MPV

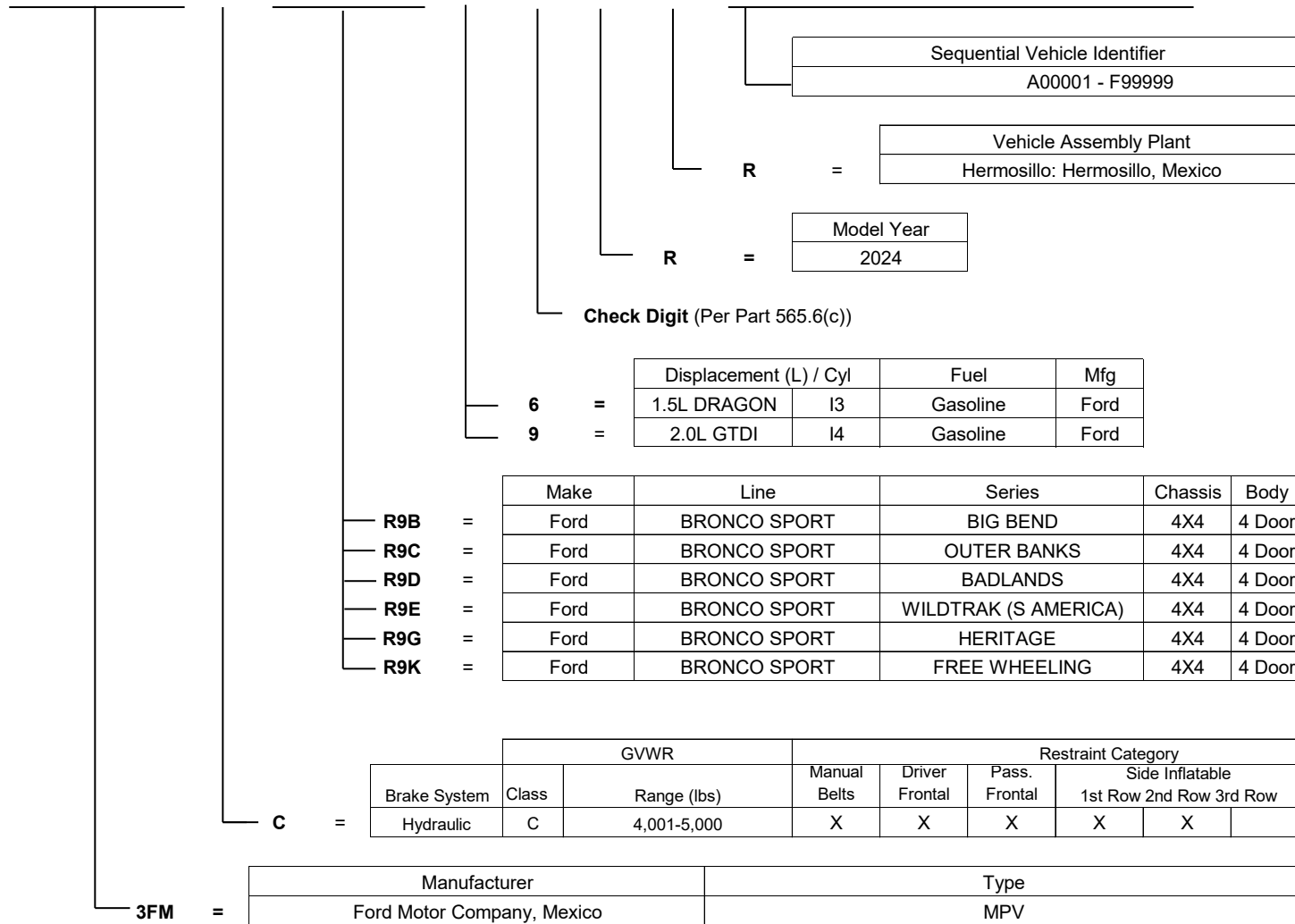
1FM

# 2024 MY Ford Bronco Sport

Attachment  
November 13, 2023

World Manufacturer Identifier (WMI)			Restraint System Category	Make, Car Line, Series, Body Type	Engine Type - Displacement, Cylinders, Fuel Type, Mfg.	VIN Check Digit (0-9 or X)	Vehicle Model Year	Plant of Manufacture	Numerical Sequence Vehicle Identifier							
1	2	3	4	5	6	7	8	9	10	11	12	13	14	15	16	17

3 F M C R 9 ? ? ? R R ? ? ? ? ? ?



# 2024 MY Ford Econoline

Attachment  
March 3, 2023

World Manufacturer Identifier (WMI)			Brake System / GVWR / Restraint System	Line, Series, Chassis Type, Cab or Body Type			Engine Type - Displ., Cylinders, Fuel Type, Mfg.	VIN Check Digit (0-9 or X)	Vehicle Model Year	Plant of Manufacture	Alphanumeric Sequence Vehicle Identifier					
1	2	3	4	5	6	7	8	9	10	11	12	13	14	15	16	17

1	F	?	?	E	?	?	N	?	R	D	?	?	?	?	?	?
---	---	---	---	---	---	---	---	---	---	---	---	---	---	---	---	---

--	--	--	--	--	--	--	--	--	--	--	--	--	--	--	--	--

Sequential Vehicle Identifier

C00001 - E99999

Vehicle Assembly Plant

Ohio Assembly Plant: Avon Lake, Ohio

Model Year

2024

**Check Digit (Per Part 565.5(c))**

N	=	Displacement (L) / Cyl	Fuel	Mfg	7.3L	V-8 Prem	Gasoline Ford

E3F	=	Make	Line	Series	Chassis Type	Cab/Body	
E3K	=	Ford	Econoline 350	Base	RWD	Cutaway	
E4F	=	Ford	Econoline 450	Base	RWD	Cutaway	
E4K	=	Ford	Econoline 450	Base	RWD	Stripped Chassis	

		GVWR			Restraints							
		Brake System	Class	Range (lbs)	Cat.	Manual Belts	Driver Frontal	Pass. Frontal	Side inflatable			Driver Knee
									1st Row	2nd Row	3rd Row	
	W	=	Hydraulic	3	10,001 - 14,000	3	x	x	x			
	X	=	Hydraulic	4	14,001 - 16,000	3	x	x	x			
	3	=	Hydraulic	3	10,001 - 14,000	19						
	4	=	Hydraulic	4	14,001 - 16,000	19						
	E	=	Hydraulic	3	10,001 - 14,000	2	x	x				
	F	=	Hydraulic	4	14,001 - 16,000	2	x	x				

1FC	=	Manufacturer	Make	Type	Ford Motor Company, USA	Ford	Basic (Stripped) Chassis
1FD	=	Ford Motor Company, USA	Ford	Incomplete Vehicle			

# 2024 MY Ford Edge

Attachment  
July 31, 2023

World Manufacturer Identifier (WMI)			Brake System / GVWR / Restraint System Category	Make, Line, Series, Chassis Type, Cab or Body Type			Engine Type - Displacement, Cylinders, Fuel Type, Mfg.	VIN Check Digit (0-9 or X)	Vehicle Model Year	Plant of Manufacture	Alphanumeric Sequence Vehicle Identifier						
1	2	3	4	5	6	7	8	9	10	11	12	13	14	15	16	17	

2 F M P K 4 ? ? ? R B ? ? ? ? ? ?

Sequential Vehicle Identifier  
A00001 thru F99999

Vehicle Assembly Plant  
B = Oakville: Oakville, Ontario

Model Year  
R = 2024

Check Digit (Per Part 565.5(c))

P	=	Displacement (L) / Cyl	Fuel	Mfg
2.7L GTDI	V-6	Gasoline	Ford	
2.0L GTDI	I-4	Gasoline	Ford	

K	=	Make	Line	Series	Chassis Type	Cab/Body
K4A	=	Ford	Edge	ST	AWD	4-Door
K4G	=	Ford	Edge	SE	AWD	4-Door
K4J	=	Ford	Edge	SEL	AWD	4-Door
K4K	=	Ford	Edge	Titanium	AWD	4-Door

Brake System	GVWR			Restraint Information							
	Class	Range (lbs)	Manual Belts	Driver Frontal	Pass. Frontal	Side Inflatable			Driver Knee	Pass. Knee	
Hydraulic	D	5001-6000	X	X	X	1st Row	2nd Row	3rd Row	X	X	

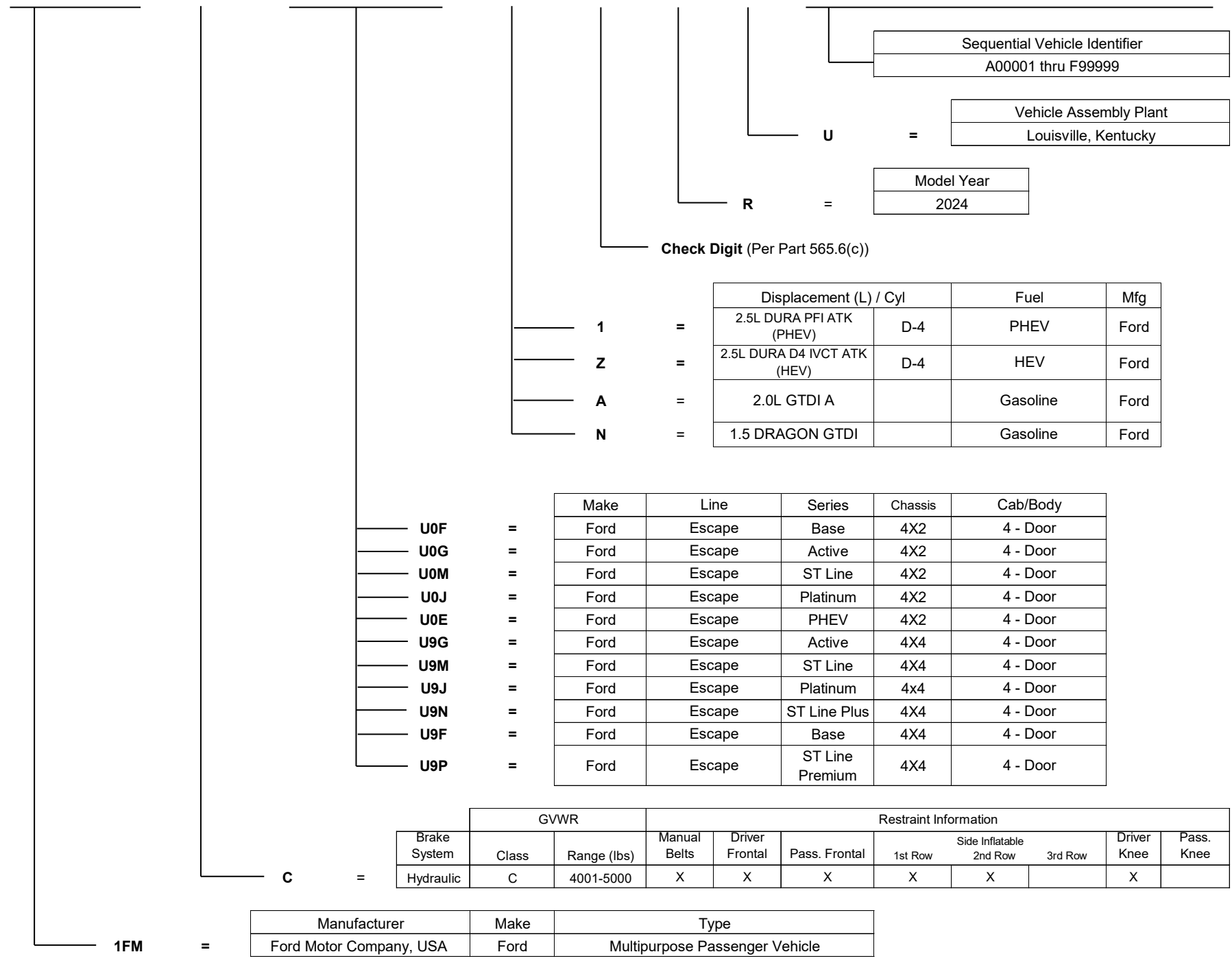
2FM =

Manufacturer	Type
Ford Motor Company of Canada, Ltd.	MPV

# 2024 MY Ford Escape

World Manufacturer Identifier (WMI)			Brake System / GVWR / Restraint System	Line, Series, Chassis Type, Cab or Body Type			Engine Type - Displ., Cylinders, Fuel Type, Mfg.	VIN Check Digit (0-9 or X)	Vehicle Model Year	Plant of Manufacture	Alphanumeric Sequence Vehicle Identifier					
1	2	3	4	5	6	7	8	9	10	11	12	13	14	15	16	17

1	F	M	C	U	?	?	?	?	R	U	?	?	?	?	?	?
---	---	---	---	---	---	---	---	---	---	---	---	---	---	---	---	---



# 2024 MY Ford Expedition

Attachment  
May 15, 2023

World Manufacturer Identifier (WMI)			Brake System / GVWR / Restraint System	Line, Series, Chassis Type, Cab or Body Type			Engine Type - Displ., Cylinders, Fuel Type, Mfg.	VIN Check Digit (0-9 or X)	Vehicle Model Year	Plant of Manufacture	Alphanumeric Sequence Vehicle Identifier					
1	2	3	4	5	6	7	8	9	10	11	12	13	14	15	16	17

1	F	M	J	?	?	?	?	?	R	E	A	?	?	?	?	?
---	---	---	---	---	---	---	---	---	---	---	---	---	---	---	---	---

Sequential Vehicle Identifier  
**A00001-A99999**

Vehicle Assembly Plant  
Kentucky Truck: Jefferson County, Kentucky

Model Year  
2024

**Check Digit** (Per Part 565.6(c))

	Displacement (L) / Cyl	Fuel	Mfg
<b>G</b> =	3.5L GTDI - High	V6	FFV/Gasoline
<b>8</b> =	3.5L GTDI - Standard	V6	FFV/Gasoline

	Make	Line	Series	Chassis	Cab/Body
U1F =	Ford	Expedition	XL	4X2	4 - Door
U1G =	Ford	Expedition	XL	4X4	4 - Door
U1H =	Ford	Expedition	XLT	4X2	4 - Door
U1J =	Ford	Expedition	XLT	4X4	4 - Door
U1N =	Ford	Expedition	King Ranch	4X2	4 - Door
U1P =	Ford	Expedition	King Ranch	4X4	4 - Door
U1K =	Ford	Expedition	Limited	4x2	4 - Door
U2A =	Ford	Expedition	Limited	4x4	4 - Door
U1L =	Ford	Expedition	Platinum	4x2	4 - Door
U1M =	Ford	Expedition	Platinum	4x4	4 - Door
U1R =	Ford	Expedition	Timberline	4x4	4 - Door
K1F =	Ford	Expedition MAX	XL	4X2	4 - Door
K1G =	Ford	Expedition MAX	XL	4X4	4 - Door
K1H =	Ford	Expedition MAX	XLT	4X2	4 - Door
K1J =	Ford	Expedition MAX	XLT	4X4	4 - Door
K1N =	Ford	Expedition MAX	King Ranch	4X2	4 - Door
K1P =	Ford	Expedition MAX	King Ranch	4X4	4 - Door
K1K =	Ford	Expedition MAX	Limited	4x2	4 - Door
K2A =	Ford	Expedition MAX	Limited	4x4	4 - Door
K1L =	Ford	Expedition MAX	Platinum	4x2	4 - Door
K1M =	Ford	Expedition MAX	Platinum	4x4	4 - Door

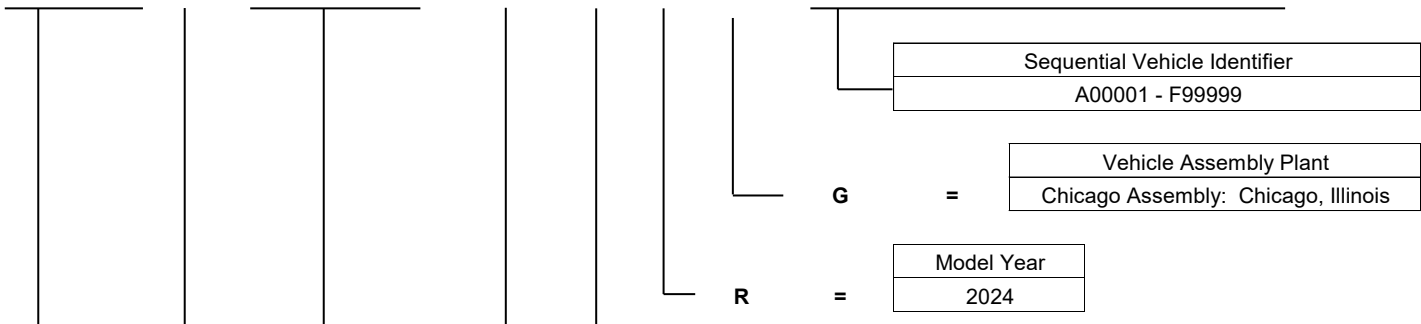
Brake System	GVWR		Restraints						
	Class	Range (lbs)	Manual Belts	Driver Frontal	Pass. Frontal	Side inflatable			Driver Knee
						1st Row	2nd Row	3rd Row	
Hydraulic	F	7001 - 8000	x	x	x	x	x	x	

1FM =	Manufacturer	Make	Type
	Ford Motor Company, USA	Ford	Multipurpose Passenger Vehicle

# 2024 MY Ford Explorer

World Manufacturer Identifier (WMI)			Brake System / GVWR / Restraint System	Line, Series, Chassis Type, Cab or Body Type, Vehicle Type			Engine Type - Displ., Cylinders, Fuel Type, Mfg. and HP	VIN Check Digit (0-9 or X)	Vehicle Model Year	Plant of Manufacture	Alphanumeric Sequence Vehicle Identifier					
1	2	3	4	5	6	7	8	9	10	11	12	13	14	15	16	17

1	F	M	?	K	?	?	?	?	R	?	?	?	?	?	?	?
---	---	---	---	---	---	---	---	---	---	---	---	---	---	---	---	---



Check Digit (Per Part 565.6(c))

	Displacement (L) / Cyl	Fuel	Mfg
<b>B</b>	3.3L Ti-VCT	V-6	Gasoline
<b>H</b>	2.3L TiVCT	I-4	Gasoline
<b>W</b>	3.3L Ti-VCT	D4	Hybrid/Electric
<b>C</b>	3.0L GTDI	V-6	Gasoline

	Make	Line	Series	Chassis Type	Cab/Body
<b>K7B</b>	Ford	Explorer	Base	RWD	4 - Door
<b>K7D</b>	Ford	Explorer	XLT	RWD	4 - Door
<b>K7F</b>	Ford	Explorer	Limited	RWD	4 - Door
<b>K7H</b>	Ford	Explorer	Platinum	RWD	4 - Door
<b>K7L</b>	Ford	Explorer	King Ranch	RWD	4 - Door
<b>K7G</b>	Ford	Explorer	ST	RWD	4 - Door
<b>K7K</b>	Ford	Explorer	ST-Line	RWD	4 - Door
<b>K8A</b>	Ford	Explorer	Police	4WD	4 - Door
<b>K8B</b>	Ford	Explorer	Base	4WD	4 - Door
<b>K8D</b>	Ford	Explorer	XLT	4WD	4 - Door
<b>K8F</b>	Ford	Explorer	Limited	4WD	4 - Door
<b>K8G</b>	Ford	Explorer	ST	4WD	4 - Door
<b>K8H</b>	Ford	Explorer	Platinum	4WD	4 - Door
<b>K8L</b>	Ford	Explorer	King Ranch	4WD	4 - Door
<b>K8K</b>	Ford	Explorer	ST-Line	4WD	4 - Door
<b>K8J</b>	Ford	Explorer	Timberline	4WD	4 - Door

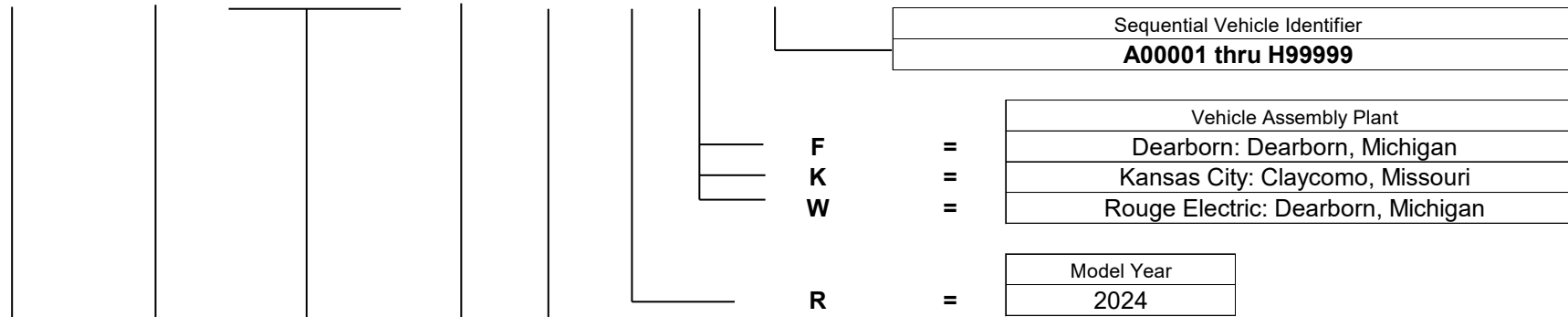
Brake System	GVWR		Restraint Information							
	Class	Range (lbs)	Manual Belts	Driver Frontal	Pass. Frontal	Side Inflatable			Driver Knee	Pass. Knee
Hydraulic	E	6001 - 7000	X	X	X	X	X	X	X	X
Hydraulic	D	5001-6000	X	X	X	X	X	X	X	X

1FM	Manufacturer	Make	Type
=	Ford Motor Company, USA	Ford	Multipurpose Passenger Vehicle

# 2024 MY Ford F-150

World Manufacturer Identifier (WMI)			Brake System / GVWR / Restraint System	Line, Series, Chassis Type, Cab or Body Type, Vehicle Type			Engine Type - Displ., Cylinders, Fuel Type, Mfg. and HP	VIN Check Digit (0-9 or X)	Vehicle Model Year	Plant of Manufacture	Numerical Sequence Vehicle Identifier					
1	2	3	4	5	6	7	8	9	10	11	12	13	14	15	16	17

1	F	T	?	?	?	?	?	?	R	?	?	?	?	?	?	?
---	---	---	---	---	---	---	---	---	---	---	---	---	---	---	---	---



**Check Digit (Per Part 565.5(c))**

	Displacement (L) / Cyl	Fuel	Mfg
P	2.7L-4V	V-6	Gasoline
8	3.5L GTDI	V-6	Gasoline
D	3.5L HEV	V-6	HEV
5	5.0L-4V	V-8	Gasoline
G	3.5L GTDI High Output	V-6	Gasoline
J	5.2L	V-8	Gasoline
S	Dual Electric Motor w LFP Battery		Electric
K	Dual Electric Motors w Standard Range Battery		Electric
7	Dual Electric Motors w Extended Range Battery-Single Charger		Electric
M	Dual Electric Motors w Extended Range Battery-Dual Chargers		Electric

	Make	Line	Series	Chassis Type	Cab/Body
F1K	Ford	F-Series	F150 XL	4X2	Regular Cab
F1L	Ford	F-Series	F150 XL	4X4	Regular Cab
W1B	Ford	F-Series	F150 PRO	4x4	SuperCrew
W1F	Ford	F-Series	F150 XL HYBRID	4X4	SuperCrew
W1K	Ford	F-Series	F150 XL	4x2	SuperCrew
W1L	Ford	F-Series	F150 XL	4X4	SuperCrew
W2K	Ford	F-Series	F150 STX	4x2	SuperCrew
W2L	Ford	F-Series	F150 STX	4X4	SuperCrew
W3K	Ford	F-Series	F150 XLT	4x2	SuperCrew
W3L	Ford	F-Series	F150 XLT	4x4	SuperCrew
W4L	Ford	F-Series	F150 Tremor	4x4	SuperCrew
W5L	Ford	F-Series	F150 Lariat	4x4	SuperCrew
W6L	Ford	F-Series	F150 King Ranch	4X4	SuperCrew
W7L	Ford	F-Series	F150 Platinum	4x4	SuperCrew
W1R	Ford	F-Series	F150 Raptor	4x4	SuperCrew
W1P	Ford	F-Series	F150 Police	4x4	SuperCrew
X1K	Ford	F-Series	F150 XL	4x2	SuperCab
X1L	Ford	F-Series	F150 XL	4x4	SuperCab
X2K	Ford	F-Series	F150 STX	4X2	SuperCab
X2L	Ford	F-Series	F150 STX	4X4	SuperCab
X3K	Ford	F-Series	F150 XLT	4X2	SuperCab
X3L	Ford	F-Series	F150 XLT	4x4	SuperCab

	Brake System	GVWR			Restraints						
		Class	Range (lbs)	Cat.	Manual Belts	Driver Frontal	Pass. Frontal	Side Inflatable			Driver Knee
M	Hydraulic	E	6001 - 7000	5	x	x	x	x			
N	Hydraulic	F	7001 - 8000	5	x	x	x	x			
E	Hydraulic	E	6001 - 7000	5	x	x	x	x	x		
F	Hydraulic	F	7001 - 8000	5	x	x	x	x	x		
V	Hydraulic	G	8001 - 8500	5	x	x	x	x	x		
6	Hydraulic	G	8501 - 9000	5	x	x	x	x	x		

1FT	Manufacturer	Make	Type
=	Ford Motor Company, USA	Ford	Truck (Completed Vehicle)



# 2024 MY Ford Maverick

World Manufacturer Identifier (WMI)			Restraint System Category	Make, Car Line, Series, Body Type			Engine Type - Displacement, Cylinders, Fuel Type, Manufacturer	VIN Check Digit (0-9 or X)	Vehicle Model Year	Plant of Manufacture	Numerical Sequence Vehicle Identifier					
1	2	3	4	5	6	7	8	9	10	11	12	13	14	15	16	17

3	F	T	T	W	8	?	?	?	R	R	?	?	?	?	?	?
---	---	---	---	---	---	---	---	---	---	---	---	---	---	---	---	---

Sequential Vehicle Identifier  
A00001 - F99999

Vehicle Assembly Plant  
R = Hermosillo: Hermosillo, Mexico

Model Year  
R = 2024

**Check Digit (Per Part 565.6(c))**

	Displacement (L) / Cyl	Fuel	Mfg
3 =	2.5L Hybrid / I4	Gas/Electric	Ford
9 =	2.0L Ecoboost / I4	Gasoline	Ford

	Make	Line	Series	Chassis	Cab
W8A =	Ford	Maverick	XL	FWD	SuperCrew
W8B =	Ford	Maverick	XL	AWD	SuperCrew
W8C =	Ford	Maverick	XLT TREMOR	AWD	SuperCrew
W8J =	Ford	Maverick	XLT	AWD	SuperCrew
W8H =	Ford	Maverick	XLT	FWD	SuperCrew
W8M =	Ford	Maverick	LARIAT	FWD	SuperCrew
W8S =	Ford	Maverick	LARIAT	AWD	SuperCrew
W8R =	Ford	Maverick	LARIAT TREMOR	AWD	SuperCrew

Brake System	Class	Range (lbs)	Manual Belts	Driver Frontal	Pass. Frontal	Side Inflatable			Driver Knee
						1st Row	2nd Row	3rd Row	
T =	Hydraulic	D	5,001-6,000	X	X	X	X		X

3FT =

Manufacturer	Type
Ford Motor Company, Mexico	TRUCK

# 2024 MY Ford Motorhome-Stripped Chassis

Attachment  
November 20, 2023

World Manufacturer Identifier (WMI)			Brake System / GVWR / Restraint System	Line, Series, Chassis Type, Cab or Body Type, Vehicle Type	Engine Type - Displ., Cylinders, Fuel Type, Mfg. and HP	VIN Check Digit (0-9 or X)	Vehicle Model Year	Plant of Manufacture	Alphanumeric Sequence Vehicle Identifier							
1	2	3	4	5	6	7	8	9	10	11	12	13	14	15	16	17

1 F 6 ? F 5 ? N ? R 0 ? ? ? ? ? ?

Sequential Vehicle Identifier  
A00001 - F99999

Vehicle Assembly Plant  
0 = Detroit Empowerment Zone: Detroit, Michigan

Model Year  
R = 2024

Check Digit (Per Part 565.6(c))

Displacement (L) / Cyl	Fuel	Manufacturer
N = 7.3L 2V	V-8	Gas

Make	Line	Series	Chassis	Cab/Body
F5D = Ford	Motorhome Chassis	Base	4X2	Stripped Chassis
F5K = Ford	Commercial Chassis	Base	4X2	Stripped Chassis

Brake System	GVWR		Restraint Information
	Class	Range (lbs)	
4 = Hydraulic	4	14,001 - 16,000	No Restraints
5 = Hydraulic	5	16,001 - 19,500	No Restraints
6 = Hydraulic	6	19,501 -26,000	No Restraints

Manufacturer	Make	Type
1F6 = Detroit Chassis LLC, USA	Ford	Basic (Stripped) Chassis/Incomplete Vehicle

2024 Ford Mustang Mach-E

World Manufacturer Identifier (WMI)			Restraint System Category	Make, Car Line, Series, Body Type			Engine Type - Displacement, Cylinders, Fuel Type, Manufacturer, and Horsepower	VIN Check Digit (0-9 or X)	Vehicle Model Year	Plant of Manufacture	Numerical Sequence Vehicle Identifier					
1	2	3	4	5	6	7	8	9	10	11	12	13	14	15	16	17

3 F M T K ? ? ? ? R M ? ? ? ? ? ?

Sequential Vehicle Identifier	
A00001- F99999	
Vehicle Assembly Plant	
Cuautilan, Mexico	

Model Year
2024

Check Digit (Per Part 565.6(c))

	Drive	Fuel	Mfr
7 =	Extended Range Battery, Rear Primary Drive Unit (NCM)	Electric	Ford
U =	Extended Range Battery, Rear Primary Drive Unit, Smaller Secondary Drive Unit (NCM)	Electric	Ford
X =	Extended Range Battery, Rear Primary Drive Unit, Larger Secondary Drive Unit (NCM)	Electric	Ford
E =	Extended Range Battery, Limited Rear Primary Drive Unit, Limited Larger Secondary Drive Unit (NCM)	Electric	Ford
4 =	Standard Range Battery, Rear Primary Drive Unit (LFP)	Electric	Ford
5 =	Standard Range Battery, Rear Primary Drive Unit, Smaller Secondary Drive Unit (LFP)	Electric	Ford

	Make	Line	Series	Chassis	Body Type	Drive
K1R =	Ford	Mustang Mach-E	Select	RWD	4-Door	LHD
K1S =	Ford	Mustang Mach-E	Select	AWD	4-Door	LHD
K3R =	Ford	Mustang Mach-E	Premium	RWD	4-Door	LHD
K3S =	Ford	Mustang Mach-E	Premium	AWD	4-Door	LHD
K4S =	Ford	Mustang Mach-E	GT	AWD	4-Door	LHD

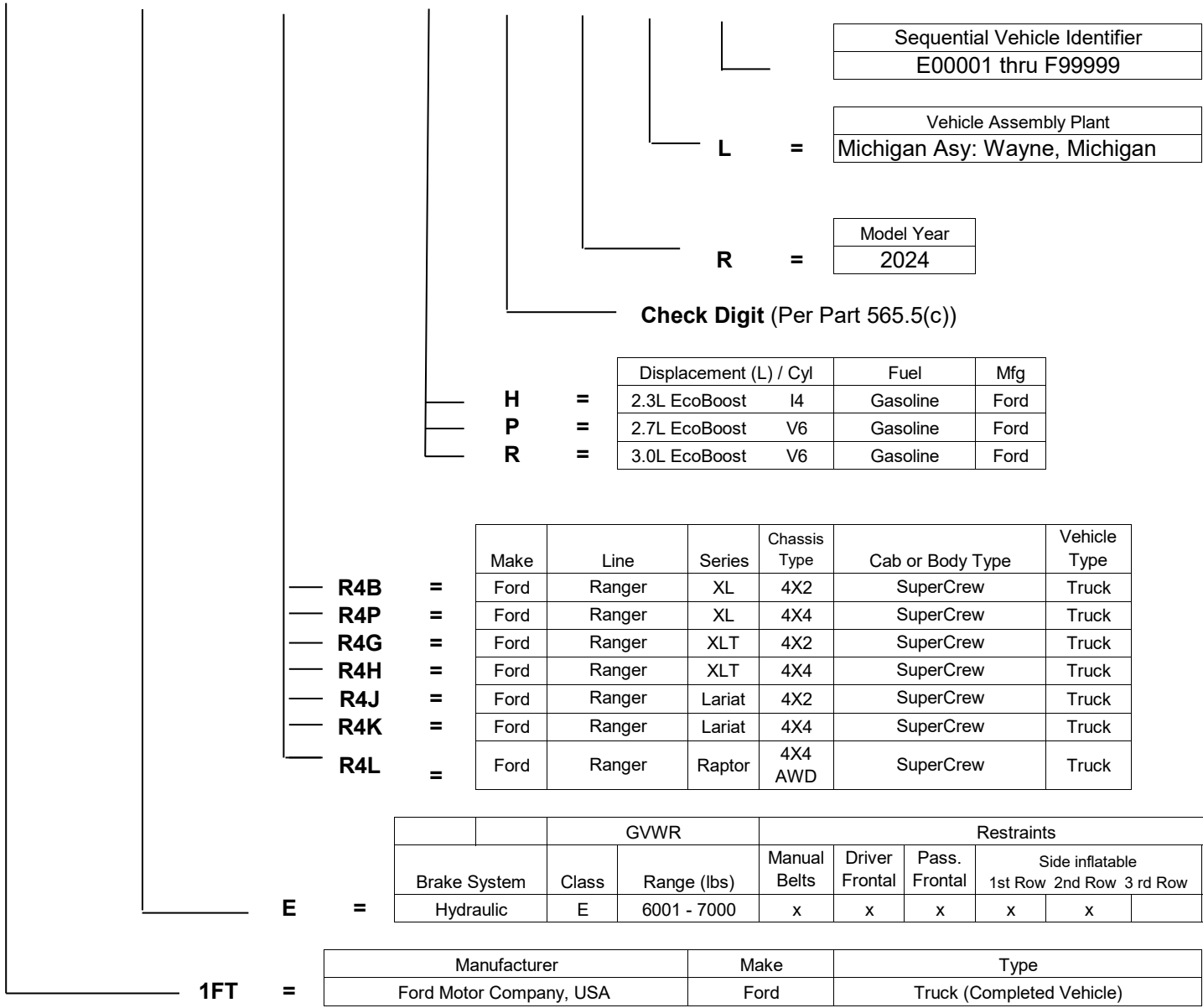
Restraint Information										
Brake System	Class	Range (lb)	Manual Belts	Driver Frontal	Pass. Frontal	Side Inflatable			Driver Knee	Pass Knee
						1st Row	2nd Row	3rd Row		
Hydraulic	D	5001-6000	X	X	X	X	X		x	

3FM =	Manufacturer		Make		Type	
	Ford Motor Company, Mexico		Ford		Multipurpose Passenger Vehicle	

### 2024 MY Ford Ranger

World Manufacturer Identifier (WMI)			Brake System / GVWR / Restraint System	Line, Series, Chassis Type, Cab or Body Type			Engine Type - Displ., Cylinders, Fuel Type, Mfg.	VIN Check Digit (0-9 or X)	Vehicle Model Year	Plant of Manufacture	Numerical Sequence Vehicle Identifier					
1	2	3	4	5	6	7	8	9	10	11	12	13	14	15	16	17

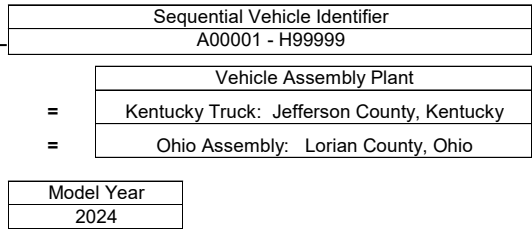
1	F	T	?	?	4	?	?	?	R	L	?	?	?	?	?	?
---	---	---	---	---	---	---	---	---	---	---	---	---	---	---	---	---



# 2024 MY Ford Super Duty F-250 and F-350

Attachment  
November 13, 2023

World Manufacturer Identifier (WMI)			Brake System / GVWR / Restraint System	Line, Series, Chassis Type, Cab or Body Type			Engine Type - Displ., Cylinders, Fuel Type, Mfg.	VIN Check Digit (0-9 or X)	Vehicle Model Year	Plant of Manufacture	Alphanumeric Sequence Vehicle Identifier					
1	2	3	4	5	6	7	8	9	10	11	12	13	14	15	16	17
1	F	?	?	?	?	?	?	?	R	?	?	?	?	?	?	?



**Check Digit (Per Part 565.6(c))**

	Displacement (L) / Cyl	Fuel	Manufacturer
A =	6.8L V-8	Gasoline	Ford
N =	7.3L V-8	Gasoline	Ford
M =	6.7L HD V-8	Diesel	Ford
T =	6.7L V-8	Diesel	Ford

	Make	Line	Series	Chassis	Cab or Body Type
F2A =	Ford	F-Series	F-250	4X2	Regular Cab - SRW
F2B =	Ford	F-Series	F-250	4X4	Regular Cab - SRW
F3A =	Ford	F-Series	F-350	4X2	Regular Cab - SRW
F3B =	Ford	F-Series	F-350	4X4	Regular Cab - SRW
F3C =	Ford	F-Series	F-350	4X2	Regular Cab - DRW
F3D =	Ford	F-Series	F-350	4X4	Regular Cab - DRW
F3E =	Ford	F-Series	F-350	4X2	Regular Cab - SRW
F3F =	Ford	F-Series	F-350	4X4	Regular Cab - SRW
F3G =	Ford	F-Series	F-350	4X2	Regular Cab - DRW
F3H =	Ford	F-Series	F-350	4X4	Regular Cab - DRW
W2A =	Ford	F-Series	F-250	4X2	Crew Cab - SRW
W2B =	Ford	F-Series	F-250	4X4	Crew Cab - SRW
W3A =	Ford	F-Series	F-350	4X2	Crew Cab - SRW
W3B =	Ford	F-Series	F-350	4X4	Crew Cab - SRW
W3C =	Ford	F-Series	F-350	4X2	Crew Cab - DRW
W3D =	Ford	F-Series	F-350	4X4	Crew Cab - DRW
W3E =	Ford	F-Series	F-350	4X2	Crew Cab - SRW
W3F =	Ford	F-Series	F-350	4X4	Crew Cab - SRW
W3G =	Ford	F-Series	F-350	4X2	Crew Cab - DRW
W3H =	Ford	F-Series	F-350	4X4	Crew Cab - DRW
X2A =	Ford	F-Series	F-250	4X2	SuperCab - SRW
X2B =	Ford	F-Series	F-250	4X4	SuperCab - SRW
X3A =	Ford	F-Series	F-350	4X2	SuperCab - SRW
X3B =	Ford	F-Series	F-350	4X4	SuperCab - SRW
X3C =	Ford	F-Series	F-350	4X2	SuperCab - DRW
X3D =	Ford	F-Series	F-350	4X4	SuperCab - DRW
X3E =	Ford	F-Series	F-350	4X2	SuperCab - SRW
X3F =	Ford	F-Series	F-350	4X4	SuperCab - SRW
X3G =	Ford	F-Series	F-350	4X2	SuperCab - DRW
X3H =	Ford	F-Series	F-350	4X4	SuperCab - DRW

GVWR				Restraints						
Brakes	Class	Range (lbs)	Manual Belts	Driver Frontal	Pass. Frontal	Side Inflatable			Driver Knee	Pass Knee
						1st Row	2nd Row	3rd Row		
B =	Hydraulic	H	9,001-10,000	X	X	X	X			
R =	Hydraulic	3	10,001-14,000	X	X	X	X			
7 =	Hydraulic	H	9,001-10,000	X	X	X	X	X		
8 =	Hydraulic	3	10,001-14,000	X	X	X	X	X		

	Manufacturer	Make	Type
1FD =	Ford Motor Company, USA	Ford	Incomplete Vehicle
1FT =	Ford Motor Company, USA	Ford	Truck

# 2024 MY Ford Super Duty F450 F550 F600

Attachment  
November 13, 2023

World Manufacturer Identifier (WMI)			Brake System / GVWR / Restraint System	Line, Series, Chassis Type, Cab or Body Type			Engine Type - Displ., Cylinders, Fuel Type, Mfg.	VIN Check Digit (0-9 or X)	Vehicle Model Year	Plant of Manufacture	Alphanumeric Sequence Vehicle Identifier					
1	2	3	4	5	6	7	8	9	10	11	12	13	14	15	16	17

1	F	?	?	?	?	?	?	?	R	?	?	?	?	?	?	?
---	---	---	---	---	---	---	---	---	---	---	---	---	---	---	---	---

Sequential Vehicle Identifier  
A00001 - H99999

Vehicle Assembly Plant  
E = Kentucky Truck: Jefferson County, Kentucky  
D = Ohio Assembly: Lorian County, Ohio

Model Year  
R = 2024

**Check Digit (Per Part 565.6(c))**

	Displacement (L) / Cyl	Fuel	Manufacturer
A =	6.8L V-8	Gasoline	Ford
N =	7.3L V-8	Gasoline	Ford
M =	6.7L HD V-8	Diesel	Ford
T =	6.7L V-8	Diesel	Ford

	Make	Line	Series	Chassis	Cab or Body Type
F4C =	Ford	F-Series	F-450	4X2	Regular Cab - DRW
F4D =	Ford	F-Series	F-450	4X4	Regular Cab - DRW
F4G =	Ford	F-Series	F-450	4X2	Regular Cab - DRW
F4H =	Ford	F-Series	F-450	4X4	Regular Cab - DRW
F5G =	Ford	F-Series	F-550	4X2	Regular Cab - DRW
F5H =	Ford	F-Series	F-550	4X4	Regular Cab - DRW
W4C =	Ford	F-Series	F-450	4X2	Crew Cab - DRW
W4D =	Ford	F-Series	F-450	4X4	Crew Cab - DRW
W4G =	Ford	F-Series	F-450	4X2	Crew Cab - DRW
W4H =	Ford	F-Series	F-450	4X4	Crew Cab - DRW
W5G =	Ford	F-Series	F-550	4X2	Crew Cab - DRW
W5H =	Ford	F-Series	F-550	4X4	Crew Cab - DRW
X4G =	Ford	F-Series	F-450	4X2	SuperCab - DRW
X4H =	Ford	F-Series	F-450	4X4	SuperCab - DRW
X5G =	Ford	F-Series	F-550	4X2	SuperCab - DRW
X5H =	Ford	F-Series	F-550	4X4	SuperCab - DRW
F6K =	Ford	F-Series	F-600	4X2	Regular Cab - DRW
F6L =	Ford	F-Series	F-600	4X4	Regular Cab - DRW

		GVWR			Restraints						
		Brakes	Class	Range (lbs)	Manual Belts	Driver Frontal	Pass. Frontal	Side Inflatable			Driver Knee
							1st Row	2nd Row	3rd Row		
R =	Hydraulic	3	10,001-14,000	X	X	X	X				
T =	Hydraulic	4	14,001-16,000	X	X	X	X				
U =	Hydraulic	5	16,001-19,500	X	X	X	X				
8 =	Hydraulic	3	10,001-14,000	X	X	X	X	X			
9 =	Hydraulic	4	14,001-16,000	X	X	X	X	X			
0 =	Hydraulic	5	16,001-19,500	X	X	X	X	X			
F =	Hydraulic	6	19,501-26,000	X	X	X	X				

	Manufacturer	Make	Type
1FD =	Ford Motor Company, USA	Ford	Incomplete Vehicle
1FT =	Ford Motor Company, USA	Ford	Truck

# 2024 MY Ford Super Duty F-650 F-750

Attachment  
November 3, 2022

World Manufacturer Identifier (WMI)			Brake System / GVWR / Restraint System	Line, Series, Chassis Type, Cab or Body Type			Engine Type - Displ., Cylinders, Fuel Type, Mfg.	VIN Check Digit (0-9 or X)	Vehicle Model Year	Plant of Manufacture	Alphanumeric Sequence Vehicle Identifier					
1	2	3	4	5	6	7	8	9	10	11	12	13	14	15	16	17

1 F D ? ? ? ? ? ? ? R D ? ? ? ? ? ?

Sequential Vehicle Identifier  
A00001 thru F99999

D = Vehicle Assembly Plant  
Ohio Assembly

R = Model Year  
2024

Check Digit (Per Part 565.6(c))

Displacement (L) / Cyl	Fuel	Manufacturer
6.7L (Standard)	V-8 Diesel	Ford
6.7L (Medium)	V-8 Diesel	Ford
6.7L (High)	V-8 Diesel	Ford
7.3L	V-8 Gas/Gaseous Prep	Ford

C =  
E =  
X =  
N =

	Make	Line	Series	Chassis Type	Cab or Body Type	Type
F6A	Ford	F-Super Duty Gas	F-650	DRW 4X2	Reg Cab Straight Frame	IV
F6B	Ford	F-Super Duty Gas	F-650	DRW 4X2	Reg Cab Kick-up Frame	IV
F6C	Ford	F-Super Duty Gas	F-650	DRW 4X2	Reg Cab Straight Frame	IV
F6D	Ford	F-Super Duty Diesel	F-650	DRW 4X2	Reg Cab Straight Frame	IV
F6E	Ford	F-Super Duty Diesel	F-650	DRW 4X2	Reg Cab Kick-up Frame	IV
F7A	Ford	F-Super Duty Gas	F-750	DRW 4X2	Reg Cab Straight Frame	IV
F7D	Ford	F-Super Duty Diesel	F-750	DRW 4X2	Reg Cab Straight Frame	IV
W6A	Ford	F-Super Duty Gas	F-650	DRW 4X2	Crew Cab Straight Frame	IV
W6B	Ford	F-Super Duty Gas	F-650	DRW 4X2	Crew Cab Kick-up Frame	IV
W6D	Ford	F-Super Duty Diesel	F-650	DRW 4X2	Crew Cab Straight Frame	IV
W6E	Ford	F-Super Duty Diesel	F-650	DRW 4X2	Crew Cab Kick-up Frame	IV
W7A	Ford	F-Super Duty Gas	F-750	DRW 4X2	Crew Cab Straight Frame	IV
W7D	Ford	F-Super Duty Diesel	F-750	DRW 4X2	Crew Cab Straight Frame	IV
X6A	Ford	F-Super Duty Gas	F-650	DRW 4X2	Super Cab Straight Frame	IV
X6B	Ford	F-Super Duty Gas	F-650	DRW 4X2	Super Cab Kick-up Frame	IV
X6D	Ford	F-Super Duty Diesel	F-650	DRW 4X2	Super Cab Straight Frame	IV
X6E	Ford	F-Super Duty Diesel	F-650	DRW 4X2	Super Cab Kick-up Frame	IV
X7A	Ford	F-Super Duty Gas	F-750	DRW 4X2	Super Cab Straight Frame	IV
X7D	Ford	F-Super Duty Diesel	F-750	DRW 4X2	Super Cab Straight Frame	IV

Brake System	GVWR			Restraint Information						
	Class	Range (lbs)	Cat.	Manual Belts	Driver Frontal	Pass. Frontal	Side Inflatable			Driver Knee
							1st Row	2nd Row	3rd Row	
N	Hydraulic	6	19,501 - 26,000	1	x					
P	Hydraulic	7	26,001 - 33,000	1	x					
W	Air	6	19,501 - 26,000	1	x					
X	Air	7	26,001 - 33,000	1	x					
Y	Air	8	33,001 - 55,000	1	x					

1FD	Manufacturer	Make	Type
=	Ford Motor Company	Ford	Incomplete Vehicle

# 2024 MY Ford Transit

World Manufacturer Identifier (WMI)			Brake System / GVWR / Restraint System	Line, Series, Chassis Type, Cab or Body Type, Vehicle Type			Cylinders, Fuel Type, Mfg. and HP	VIN Check Digit (0-9 or X)	Vehicle Model Year	Plant of Manufacture	Alphanumeric Sequence Vehicle Identifier					
1	2	3	4	5	6	7	8	9	10	11	12	13	14	15	16	17

1	F	?	?	?	?	?	?	?	R	K	?	?	?	?	?	?
---	---	---	---	---	---	---	---	---	---	---	---	---	---	---	---	---

Sequential Vehicle Identifier  
A00001 thru B99999

K = Vehicle Assembly Plant  
Kansas City

R = Model Year  
2024

Check Digit (Per Part 565.5(c))

	8	G	K	M
=	3.5L V6 Cyclone	V-6	Gasoline	
=	3.5L EcoBoost V6	V-6	Gasoline	
=	BEV Engine		Electric	
=	BEV Engine #2		Electric	

	Make	Line	Series	Chassis Type	Cab/Body	GVWR	ROOF	Wheelbase		
—	E2Y	=	Ford	Transit	150	AWD	Van	8670/8800"	Low	130/148
—	E1Y	=	Ford	Transit	150	RWD	Van	8670/8800"	Low	130/148
—	R2Y	=	Ford	Transit	250	AWD	Van	9070/9150#	Low	130/148
—	R1Y	=	Ford	Transit	250	RWD	Van	9070/9150#	Low	130/148
—	W1Y	=	Ford	Transit	350	RWD	Van	9500#	Low	130/148
—	W2Y	=	Ford	Transit	350	AWD	Van	9500#	Low	130/148
—	F1Y	=	Ford	Transit	350 HD	RWD	Van	9950#	Low	148
—	F2Y	=	Ford	Transit	350 HD	AWD	Van	9950#	Low	148
—	E1C	=	Ford	Transit	150	RWD	Van	8670/8800"	Medium	148
—	E2C	=	Ford	Transit	150	AWD	Van	8670/8800"	Medium	148
—	R1C	=	Ford	Transit	250	RWD	Van	9070/9150#	Medium	148
—	R2C	=	Ford	Transit	250	AWD	Van EL	9070/9150#	Medium	148
—	W9C	=	Ford	Transit	350	RWD	Van	9500#	Medium	148
—	W2C	=	Ford	Transit	350	AWD	Van	9500#	Medium	148
—	F7C	=	Ford	Transit	350 HD	RWD	Van	9950#	Medium	148
—	F8C	=	Ford	Transit	350 HD	AWD	Van	9950#	Medium	148
—	R1X	=	Ford	Transit	250	RWD	Van	9070#	High	148
—	R2X	=	Ford	Transit	250	AWD	Van	9070#	High	148
—	R3X	=	Ford	Transit	250	RWD	Van EL	9070#	High	148
—	R3U	=	Ford	Transit	250	AWD	Van EL	9070#	High	148
—	W1X	=	Ford	Transit	350	RWD	Van	9500#	High	148
—	W2X	=	Ford	Transit	350	AWD	Van	9500#	High	148
—	W3X	=	Ford	Transit	350	RWD	Van EL	9500#	High	148
—	W3U	=	Ford	Transit	350	AWD	Van EL	9500#	High	148
—	F5X	=	Ford	Transit	350 HD	RWD	Van	9950#	High	148
—	F6X	=	Ford	Transit	350 HD	AWD	Van	9950#	High	148
—	F7X	=	Ford	Transit	350 HD	RWD	Van EL	9950#	High	148
—	F8X	=	Ford	Transit	350 HD	AWD	Van EL	9950#	High	148
—	F4X	=	Ford	Transit	350 HD	DRW - RWD	Van EL DRW	9950#	High	148
—	F4U	=	Ford	Transit	350 HD	DRW - AWD	Van EL DRW	9950#	High	148
—	U8X	=	Ford	Transit	350 HD	DRW - RWD	Van EL DRW	11000#	High	148
—	U8U	=	Ford	Transit	350 HD	DRW - AWD	Van EL DRW	11000#	High	148
—	X2Y	=	Ford	Transit	350	RWD	Pass Van	9250#/9400#	Low	148
—	X9Y	=	Ford	Transit	350	AWD	Pass Van	9250/9400/9550#	Low	148
—	X2C	=	Ford	Transit	350	RWD	Pass Van	9250/9400/9500#	Medium	148
—	X9C	=	Ford	Transit	350	AWD	Pass Van	9250#/9550#	Medium	148
—	X2X	=	Ford	Transit	350	RWD	Pass Van	9250/9400/9500#	High	148
—	X9X	=	Ford	Transit	350	AWD	Pass Van	9250#/9550#	High	148
—	U4X	=	Ford	Transit	350 HD	DRW - RWD	Pass Van EL	10,100/10,360#	High	148
—	U5X	=	Ford	Transit	350 HD	DRW - AWD	Pass Van EL	10,100/10,360#	High	148
—	R5P	=	Ford	Transit	250	RWD	Cutaway	9070#	N/A	138/156
—	R7P	=	Ford	Transit	250	AWD	Cutaway	9070#	N/A	138/156
—	W5P	=	Ford	Transit	350	RWD	Cutaway	9500#	N/A	138/156/178
—	W7P	=	Ford	Transit	350	AWD	Cutaway	9500#	N/A	138/156/178
—	F1P	=	Ford	Transit	350 HD	RWD	Cutaway	9950#	N/A	156/178
—	F2P	=	Ford	Transit	350 HD	AWD	Cutaway	9950#	N/A	156/178
—	F6P	=	Ford	Transit	350 HD	RWD	Cutaway	9950#	N/A	138/156/178
—	F8P	=	Ford	Transit	350 HD	AWD	Cutaway	9950#	N/A	138/156/178
—	U6P	=	Ford	Transit	350 HD	RWD	Cutaway	11000#	N/A	138/156/178
—	U8P	=	Ford	Transit	350 HD	AWD	Cutaway	11000#	N/A	138/156/178
—	R5Z	=	Ford	Transit	250	RWD	Chassis Cab	9070#	N/A	138/156
—	R7Z	=	Ford	Transit	250	AWD	Chassis Cab	9070#	N/A	138/156
—	W5Z	=	Ford	Transit	350	RWD	Chassis Cab	9500#	N/A	138/156/178
—	W7Z	=	Ford	Transit	350	AWD	Chassis Cab	9500#	N/A	138/156/178
—	F1Z	=	Ford	Transit	350 HD	RWD	Chassis Cab	9950#	N/A	156/178
—	F2Z	=	Ford	Transit	350 HD	AWD	Chassis Cab	9950#	N/A	156/178
—	F6Z	=	Ford	Transit	350 HD	RWD	Chassis Cab	9950#	N/A	138/156/178
—	F8Z	=	Ford	Transit	350 HD	AWD	Chassis Cab	9950#	N/A	138/156/178
—	U6Z	=	Ford	Transit	350 HD	RWD	Chassis Cab	11000#	N/A	138/156/178
—	U8Z	=	Ford	Transit	350 HD	AWD	Chassis Cab	11000#	N/A	138/156/178



## 2024 MY Ford Transit

Attachment  
November 13, 2023

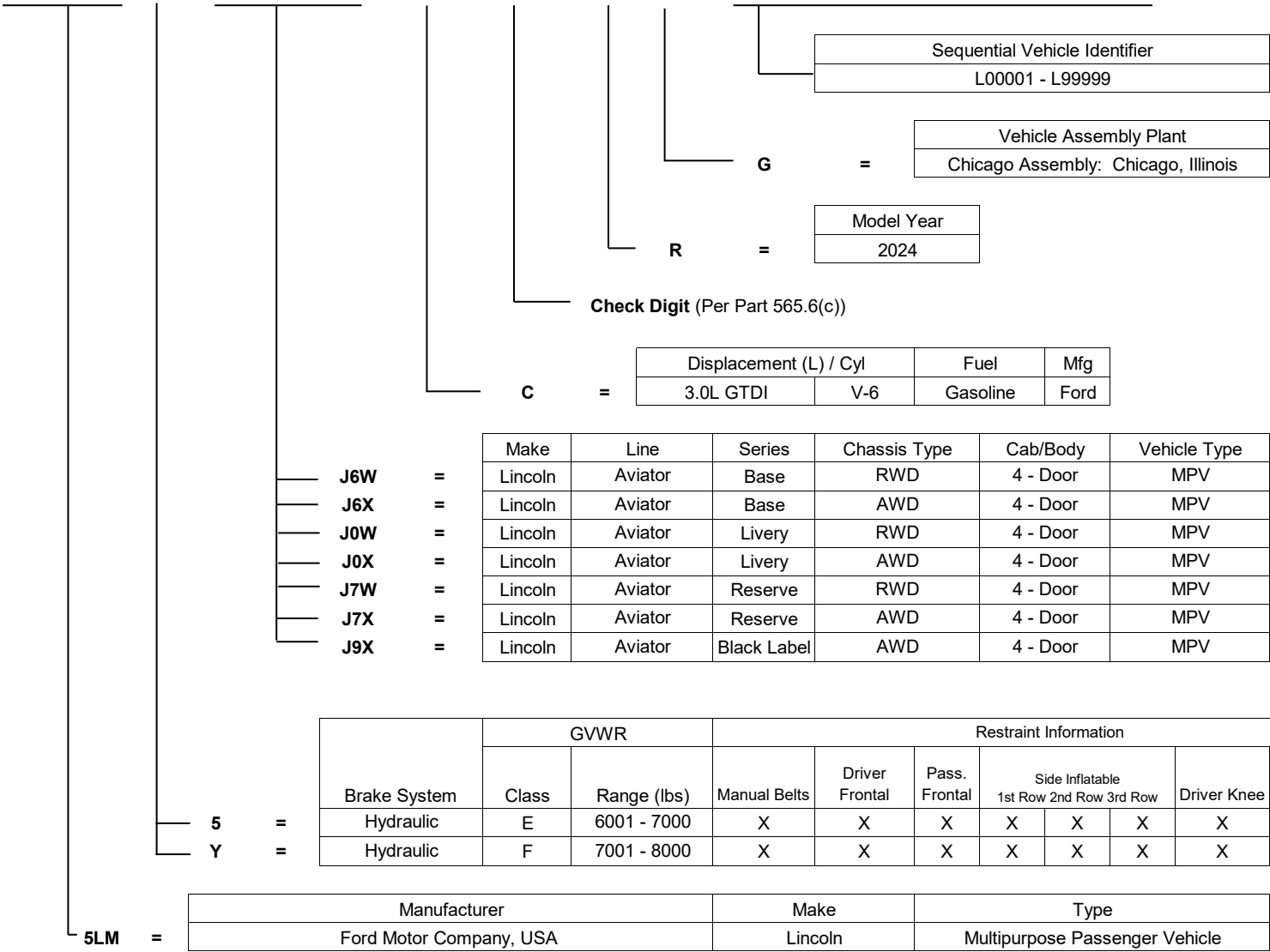
		GVWR			Restraints							
		Brake System	Class	Range (lbs)	Cat.	Manual Belts	Driver Frontal	Pass. Frontal	Side inflatable 1st Row	Side inflatable 1st & 2nd Row	Side inflatable 1st, 2nd and 3rd Row	Driver Knee
—	N	=	Hydraulic	G	8,501 - 9,000	3	x	x	x			
—	S	=	Hydraulic	H	9,001 - 10,000	3	x	x	x			
—	W	=	Hydraulic	3	10,001 - 14,000	3	x	x	x			
—	C	=	Hydraulic	G	8,501 - 9,000	2	x	x				
—	D	=	Hydraulic	H	9,001 - 10,000	2	x	x				
—	E	=	Hydraulic	3	10,001 - 14,000	2	x	x				
—	Y	=	Hydraulic	G	8,501 - 9,000	4	x	x	x	x		
—	B	=	Hydraulic	H	9,001 - 10,000	4	x	x	x	x		
—	R	=	Hydraulic	3	10,001 - 14,000	4	x	x	x	x		
—	K	=	Hydraulic	G	8,501 - 9,000	14	x	x		x		
—	L	=	Hydraulic	H	9,001 - 10,000	14	x	x		x		
—	M	=	Hydraulic	3	10,001 - 14,000	14	x	x		x		
—	Z	=	Hydraulic	G	8,501 - 9,000	6	x	x	x		x	
—	A	=	Hydraulic	H	9,001 - 10,000	6	x	x	x		x	
—	V	=	Hydraulic	3	10,001 - 14,000	6	x	x	x		x	

		Manufacturer	Make	Type	
—	1FB	=	Ford Motor Company, USA	Ford	Bus
—	1FD	=	Ford Motor Company, USA	Ford	Incomplete Vehicle
—	1FM	=	Ford Motor Company, USA	Ford	Multipurpose Passenger Vehicle
—	1FT	=	Ford Motor Company, USA	Ford	Truck (Completed Vehicle)

# 2024 Lincoln Aviator

World Manufacturer Identifier (WMI)			Brake System / GVWR / Restraint System	Line, Series, Chassis Type, Cab or Body Type, Vehicle Type			Engine Type - Displ., Cylinders, Fuel Type, Mfg. and HP	VIN Check Digit (0-9 or X)	Vehicle Model Year	Plant of Manufacture	Alphanumeric Sequence Vehicle Identifier					
1	2	3	4	5	6	7	8	9	10	11	12	13	14	15	16	17

5	L	M	?	J	?	?	?	?	R	G	L	?	?	?	?	?
---	---	---	---	---	---	---	---	---	---	---	---	---	---	---	---	---

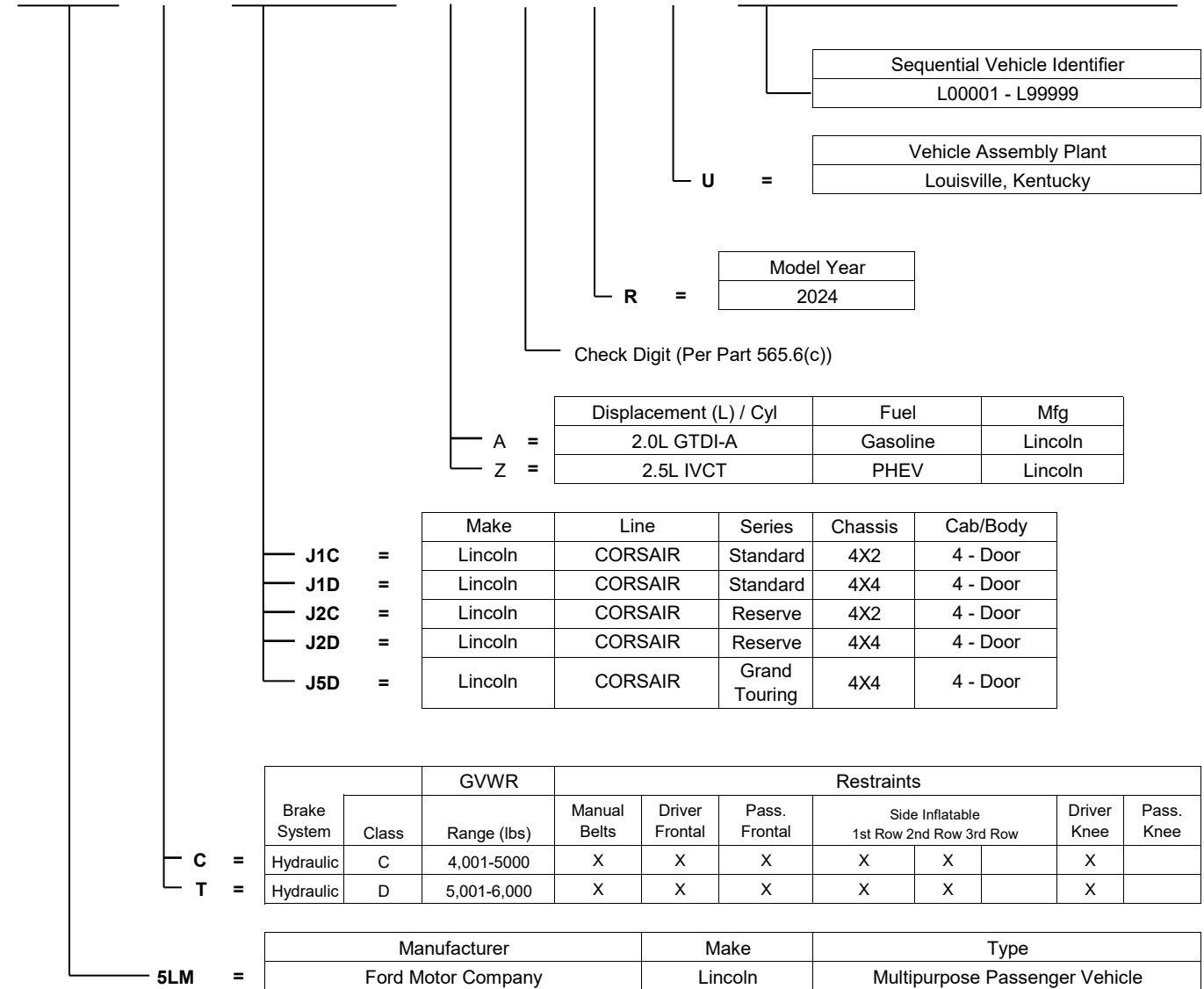


# 2024 MY Lincoln Corsair

Attachment  
November 13, 2023

World Manufacturer Identifier (WMI)			Brake System / GVWR / Restraint System	Line, Series, Chassis Type, Cab or Body Type			Engine Type - Displ., Cylinders, Fuel Type, Mfg.	VIN Check Digit (0-9 or X)	Vehicle Model Year	Plant of Manufacture	Alphanumeric Sequence Vehicle Identifier					
1	2	3	4	5	6	7	8	9	10	11	12	13	14	15	16	17

5	L	M	?	J	?	?	?	?	R	U	L	?	?	?	?	?
---	---	---	---	---	---	---	---	---	---	---	---	---	---	---	---	---



# 2024 MY Lincoln Nautilus

Attachment  
May 16, 2023

World Manufacturer Identifier (WMI)			Brake System / GVWR / Restraint System Category	Make, Line, Series, Chassis Type, Cab or Body Type			Engine Type - Displacement, Cylinders, Fuel Type, Mfg	VIN Check Digit (0-9 or X)	Vehicle Model Year	Plant of Manufacture	Alphanumeric Sequence Vehicle Identifier					
1	2	3	4	5	6	7	8	9	10	11	12	13	14	15	16	17

5LM	P	J	?	?	?	?	R	J	?	?	?	?	?	?
-----	---	---	---	---	---	---	---	---	---	---	---	---	---	---

**5LM** =

**P** =

**J** =

**J8J** =

**J8K** =

**J9J** =

Sequential Vehicle Identifier			
000001 thru 999999			
Vehicle Assembly Plant			
J	=	Hangzhou: Hangzhou, China	
R	=	Model Year	
2024			
Check Digit (Per Part 565.5(c))			
A	=	Displacement (L) / Cyl	Fuel
4	=	2.0L GTDI A    I4	Gasoline
		2.0L GTDI B    I4	FHEV
		Mfg	Ford

Make	Line	Series	Chassis Type	Cab/Body
Lincoln	Nautilus	Premiere	AWD	5-Door
Lincoln	Nautilus	Reserve	AWD	5-Door
Lincoln	Nautilus	Blk Label	AWD	5-Door

Brake System	GVWR		Restraint Information							
	Class	Range (lbs)	Manual Belts	Driver Frontal	Pass. Frontal	Side Inflatable			Driver Knee	Pass. Knee
Hydraulic	D	5001-6000	X	X	X	X	X	X	X	X

5LM	=	Manufacturer	Type
		Ford Motor Company	MPV

# 2024 MY Lincoln Navigator

Attachment  
May 15, 2023

World Manufacturer Identifier (WMI)			Brake System / GVWR / Restraint System	Line, Series, Chassis Type, Cab or Body Type			Engine Type - Displ., Cylinders, Fuel Type, Mfg.	VIN Check Digit (0-9 or X)	Vehicle Model Year	Plant of Manufacture	Alphanumeric Sequence Vehicle Identifier					
1	2	3	4	5	6	7	8	9	10	11	12	13	14	15	16	17

5	L	M	J	J	?	?	G	?	R	E	L	?	?	?	?	?
---	---	---	---	---	---	---	---	---	---	---	---	---	---	---	---	---

Sequential Vehicle Identifier
<b>L00001-L99999</b>

Vehicle Assembly Plant
= Kentucky Truck: Jefferson County, Kentucky

Model Year
2024

Check Digit (Per Part 565.6(c))

Displacement (L) / Cyl	Fuel	Mfg
3.5L GTDI	V6	FFV/Gasoline
		Ford

Make	Line	Series	Chassis Type	Cab/Body Type	
J2N	Lincoln	Navigator	Standard	4X4	4 - Door
J2R	Lincoln	Navigator	Preferred	4X4	4 - Door
J2S	Lincoln	Navigator	Presidential	4X4	4 - Door
J3S	Lincoln	Navigator L	Presidential	4X4	4 - Door
J3N	Lincoln	Navigator L	Standard	4X4	4 - Door
J2L	Lincoln	Navigator	Reserve	4X4	4 - Door
J3L	Lincoln	Navigator L	Reserve	4X4	4 - Door
J2T	Lincoln	Navigator	BL	4X4	4 - Door
J3T	Lincoln	Navigator L	BL	4X4	4 - Door

Brake System	GVWR		Restraints						
	Class	Range (lbs)	Manual Belts	Driver Frontal	Pass. Frontal	Side inflatable			Driver Knee
						1st Row	2nd Row	3rd Row	
Hydraulic	F	7001 - 8000	x	x	x	x	x	x	

Manufacturer	Make	Type
Ford Motor Company, USA	Lincoln	Multipurpose passenger Vehicle

5LM

J

R

E

G